



Chipsmall Limited consists of a professional team with an average of over 10 year of expertise in the distribution of electronic components. Based in Hongkong, we have already established firm and mutual-benefit business relationships with customers from,Europe,America and south Asia,supplying obsolete and hard-to-find components to meet their specific needs.

With the principle of “Quality Parts,Customers Priority,Honest Operation,and Considerate Service”,our business mainly focus on the distribution of electronic components. Line cards we deal with include Microchip,ALPS,ROHM,Xilinx,Pulse,ON,Everlight and Freescale. Main products comprise IC,Modules,Potentiometer,IC Socket,Relay,Connector.Our parts cover such applications as commercial,industrial, and automotives areas.

We are looking forward to setting up business relationship with you and hope to provide you with the best service and solution. Let us make a better world for our industry!



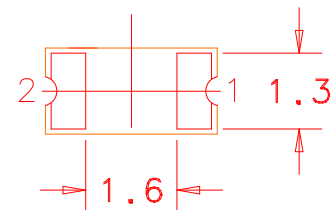
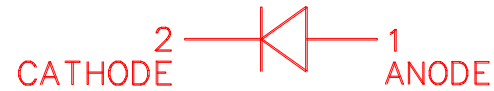
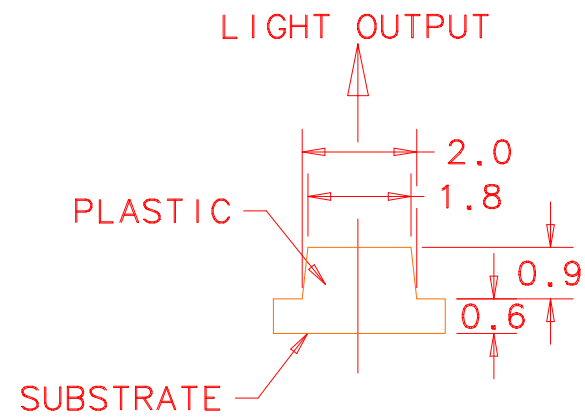
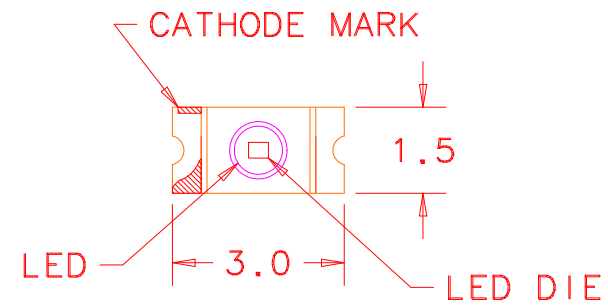
Contact us

Tel: +86-755-8981 8866 Fax: +86-755-8427 6832

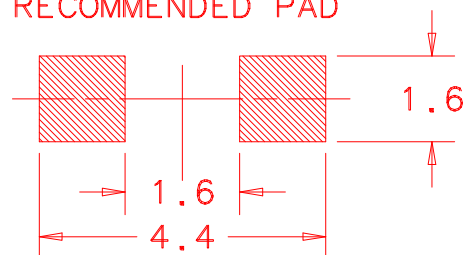
Email & Skype: info@chipsmall.com Web: www.chipsmall.com

Address: A1208, Overseas Decoration Building, #122 Zhenhua RD., Futian, Shenzhen, China



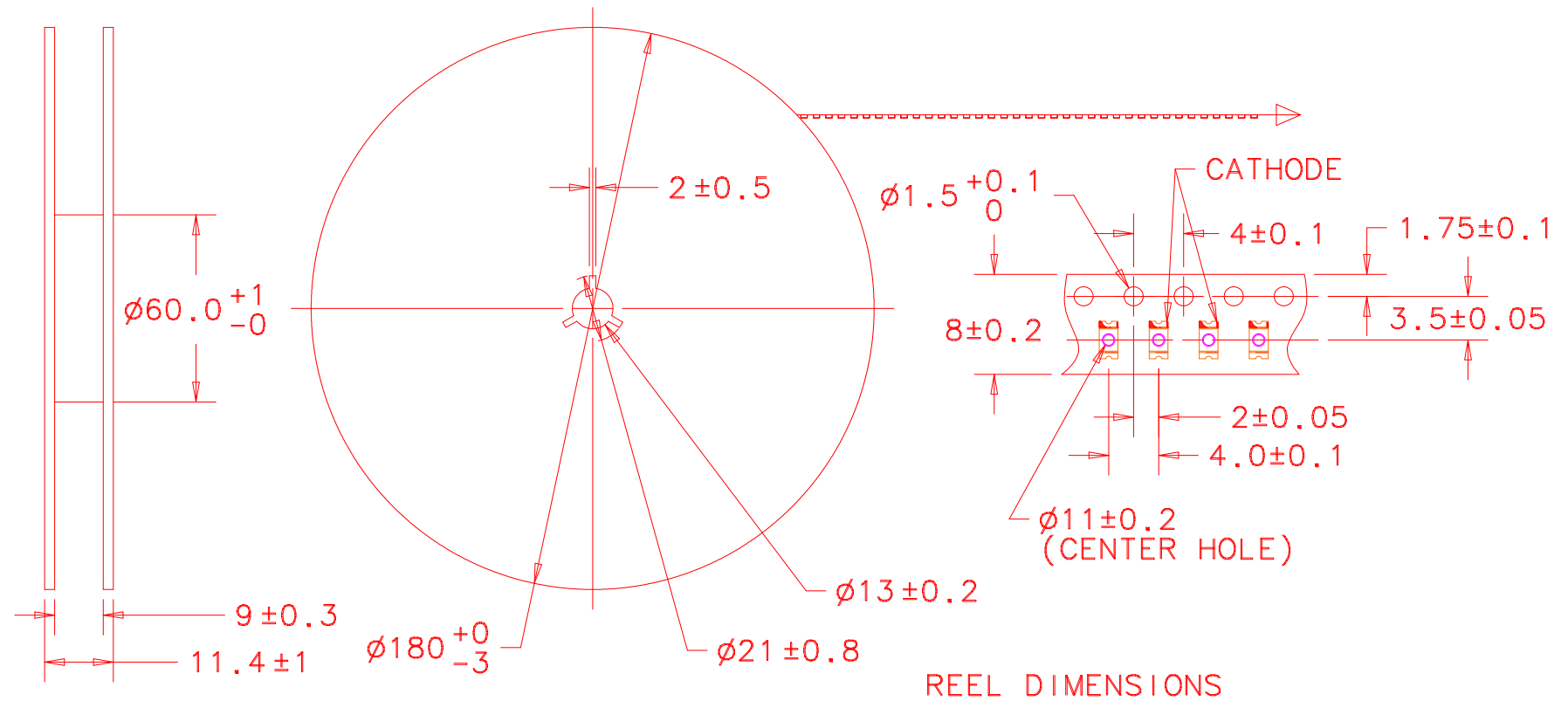


RECOMMENDED PAD



SDRC FILE NAME: B17147

REVISIONS			
REV	ECR NO	DESCRIPTION	DATE
A	20318	NEW RELEASE	
B	20628	REMOVED VENDOR No'S.	6/25/01



DIM ARE IN MILLIMETERS	Ⓞ FOR INSPECTION USE ONLY		
	ⓧ SPC DOCUMENTATION REQ. (X R CHARTS)		
THIS DWG IS THE PROPERTY OF CHICAGO MINIATURE LAMP, INC AND IS PROPRIETARY IN GENERAL AND IN DETAIL. IT SHALL NOT BE COPIED OR ITS CONTENTS REVEALED TO OUTSIDE PARTIES WITHOUT THE WRITTEN CONSENT OF CHICAGO MINIATURE LAMP, INC	DRAWN BY R.HANES	DATE 4/16/01	PART NO
	CHECKED BY	DATE	MODEL NO
	ENG. APPRV.	DATE	MOLD NO
	UNLESS OTHERWISE SPECIFIED TOLERANCES ON:		MATERIAL
	.XX ±0.25		FINISH
	.XXX ±0.25		
	ANGLE ± 1°		



CHICAGO MINIATURE LAMP, INC
147 CENTRAL AVE. HACKENSACK, NJ 07601

TITLE **SURFACE MOUNT LED-RIGHT ANGLE**

DIST. **v/s** DWG NO **B17147** REV **B**

SCALE NTS SHEET 1 OF 2