



Chipsmall Limited consists of a professional team with an average of over 10 year of expertise in the distribution of electronic components. Based in Hongkong, we have already established firm and mutual-benefit business relationships with customers from,Europe,America and south Asia,supplying obsolete and hard-to-find components to meet their specific needs.

With the principle of “Quality Parts,Customers Priority,Honest Operation,and Considerate Service”,our business mainly focus on the distribution of electronic components. Line cards we deal with include Microchip,ALPS,ROHM,Xilinx,Pulse,ON,Everlight and Freescale. Main products comprise IC,Modules,Potentiometer,IC Socket,Relay,Connector.Our parts cover such applications as commercial,industrial, and automotives areas.

We are looking forward to setting up business relationship with you and hope to provide you with the best service and solution. Let us make a better world for our industry!



## Contact us

Tel: +86-755-8981 8866 Fax: +86-755-8427 6832

Email & Skype: info@chipsmall.com Web: www.chipsmall.com

Address: A1208, Overseas Decoration Building, #122 Zhenhua RD., Futian, Shenzhen, China



# CMF



**CANTHERM**

*Supplying high-quality bimetal and thermal sensor products.*



**Chip NTC Thermistors**



**CANTHERM**

*Supplying high-quality bimetal and thermal sensor products.*

8415 Mountain Sights Avenue • Montreal (Quebec), H4P 2B8, Canada

Tel: (514) 739-3274 • 1-800-561-7207 • Fax: (514) 739-2902 • E-mail: sales@cantherm.com

Website: [www.cantherm.com](http://www.cantherm.com) | Division of Microtherm

2014/AUGUST CMF



# CMF



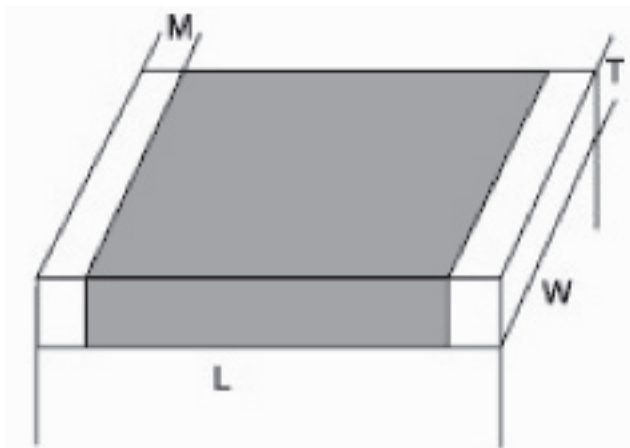
## Application

- Temperature compensation of IC, LCD
- Transistor
- Crystal oscillator of mobile communications equipments
- Temperature sensor for rechargeable batteries
- Temperature sensor for CPU
- Temperature compensation of several kinds of circuits

## Characteristics

- Miniature size
- No lead
- Ideal for high density SMT installation
- Superior solderability and resistance to soldering heat
- Ideal for wave or reflow soldering

## Dimensions (mm)



Size	L (Length)	W (Width)	T (Thickness)	M (Width of termination Point)
0402 (1005)	.04± .006 (1.0± 0.15)	.02± .004 (0.5± 0.10)	.024 max (0.60 max)	0.004 min (0.10 min)
0603 (1608)	.063± .006 (1.6± 0.15)	.031± .006 (0.8± 0.15)	.037 max (0.95 max)	.004 max (0.10 max)
0805 (2012)	.08± .008 (2.0± 0.20)	.05± .008 (1.25± 0.2)	.05 max (1.25 max)	.006 max (0.15 max)
1206 (3216)	.126± .008 (3.2± 0.20)	.063± .008 (1.6± 0.20)	.063 max (1.6 max)	.008 max (0.20 max)

## Part Numbering

CMF	B		3950	103		J		N		T	
Chip NTC thermistor	Size Code		B-value (25/85°C)	Resistance at 25°C (Ω)		Tolerance		Termination		Packaging	
	Code	Inches		103	10x10 <sup>3</sup>	F	±1%	P	Pd	B	Bulk
	C	1206		104	10x10 <sup>4</sup>	G	±2%	N	Nickel Barrier	T	Tape & Reel
	B	0805				H	±3%				
	A	0603				J	±4%				
	X	0402				K	±10%				

### 0402 Series

Part No.	Resistance at 25°C (KΩ)	B-Constant (25/85°C (K))
CMFX3950103_	10	3950
CMFX4050473_	47	4050
CMFX4050104_	100	4050

### 0603 Series

Part No.	Resistance at 25°C (KΩ)	B-Constant (25/85°C (K))
CMFA3450103_	10	3450
CMFA3970103_	10	3970
CMFA3900223_	22	3900
CMFA3950473_	47	3950
CMFA3950104_	100	3950
CMFA3950224_	220	3950
CMFA3550103_	10	3550
CMFA3950683_	68	3950
CMFA4100564_	560	4100

### 0805 Series

Part No.	Resistance at 25°C (KΩ)	B-Constant (25/85°C (K))
CMFB3435472_	4.7	3435
CMFB3435103_	10	3435
CMFB3550103_	10	3550
CMFB3900223_	22	3900
CMFB4000473_	47	4000
CMFB4000104_	100	4000
CMFB3970103_	10	3970
CMFB3200202_	2	3200
CMFB3650153_	15	3650
CMFB4050333_	33	4050

### 1206 Series

Part No.	Resistance at 25°C (KΩ)	B-Constant (25/85°C (K))
CMFC3200221_	0.22	3200
CMFC3200331_	0.33	3200
CMFC3250471_	0.47	3250
CMFC3350102_	1.0	3350
CMFC3400222_	2.2	3400
CMFC3400332_	3.3	3400
CMFC3400472_	4.7	3400
CMFC3400682_	6.8	3400
CMFC3500103_	10	3500
CMFC3900103_	10	3900
CMFC3900153_	15	3900
CMFC3950223_	22	3950
CMFC4000333_	33	4000
CMFC4100473_	47	4100
CMFC4100683_	68	4100
CMFC4200104_	100	4200
CMFC4300224_	220	4300