



Chipsmall Limited consists of a professional team with an average of over 10 year of expertise in the distribution of electronic components. Based in Hongkong, we have already established firm and mutual-benefit business relationships with customers from,Europe,America and south Asia,supplying obsolete and hard-to-find components to meet their specific needs.

With the principle of "Quality Parts,Customers Priority,Honest Operation,and Considerate Service",our business mainly focus on the distribution of electronic components. Line cards we deal with include Microchip,ALPS,ROHM,Xilinx,Pulse,ON,Everlight and Freescale. Main products comprise IC,Modules,Potentiometer,IC Socket,Relay,Connector.Our parts cover such applications as commercial,industrial, and automotives areas.

We are looking forward to setting up business relationship with you and hope to provide you with the best service and solution. Let us make a better world for our industry!



Contact us

Tel: +86-755-8981 8866 Fax: +86-755-8427 6832

Email & Skype: info@chipsmall.com Web: www.chipsmall.com

Address: A1208, Overseas Decoration Building, #122 Zhenhua RD., Futian, Shenzhen, China

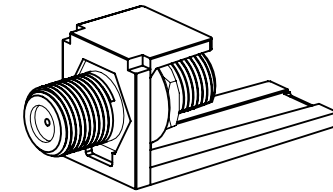
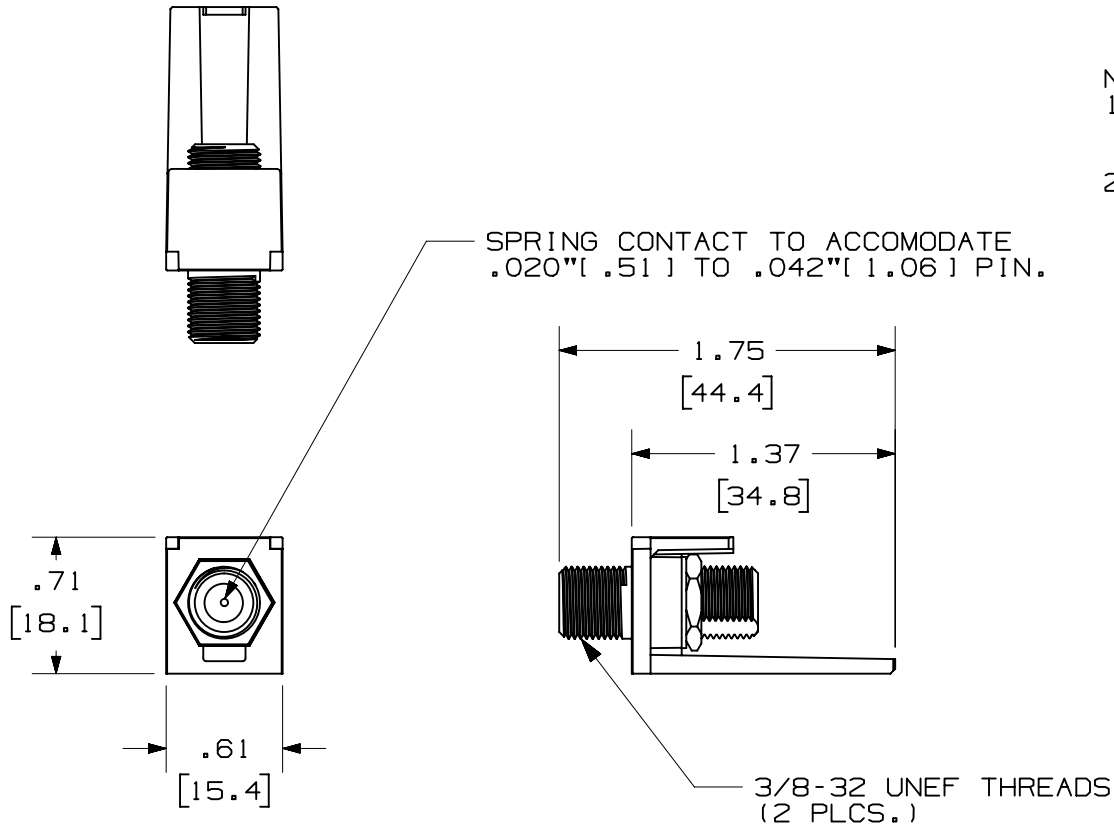


THIS COPY IS PROVIDED ON A RESTRICTED BASIS AND IS NOT TO BE USED IN ANY WAY DETRIMENTAL TO THE INTERESTS OF PANDUIT CORP.

PANDUIT P/N	WEIGHT
CMF**	.17 LB/10 PCS (78 g/10 PCS)

NOTES:

- SEE CURRENT CATALOG FOR ADDITIONAL PART SUFFIXES TO INDICATE COLOR AND OR PACKAGE QUANTITY.
- DIMENSIONS IN PARENTHESES ARE IN METRIC.



PART NUMBER		CMF**	
TITLE			
MINI-COM 3GHz F-TYPE COUPLER MODULE			
CUSTOMER DRAWING			
ITEM REVISION NAME		M01557AA/01	
DATASET FILE NAME		M01557AA_DC04/01A	
UNLESS OTHERWISE SPECIFIED, DIMENSIONAL TOLERANCES ARE: IN [mm]		MATERIAL:	
.x ± .03 [.8]		MODULE BASE: ABS	
.xxx ± .010 [.3]		COUPLER: NICKEL	
ANGLES ±		PLATED BRASS	
THIRD ANGLE PROJECTION		DRAWING NUMBER:	
01557-04		01557-04	
DRAWN BY	DATE	CHK	SCALE
JSP	3-16-04	JCO	NONE
SHT 1 OF 1		SIZE	
A		A	

REV	DATE	BY	CHK	APR	DESCRIPTION	ECN
2	1-20-17	MDJR	NAGL	AMY	B. UPDATED DRAWING WITH NEW MODEL.	01557-04
1	6/10/14	JSP	REFR	MMR	A. REVISED DRAWING TITLE BLOCK.	01557-04
R	3-16-06	JSP	JCO	JCO	RELEASED TO PRODUCTION	01557-04

D10100DA/14