



Chipsmall Limited consists of a professional team with an average of over 10 year of expertise in the distribution of electronic components. Based in Hongkong, we have already established firm and mutual-benefit business relationships with customers from,Europe,America and south Asia,supplying obsolete and hard-to-find components to meet their specific needs.

With the principle of “Quality Parts,Customers Priority,Honest Operation,and Considerate Service”,our business mainly focus on the distribution of electronic components. Line cards we deal with include Microchip,ALPS,ROHM,Xilinx,Pulse,ON,Everlight and Freescale. Main products comprise IC,Modules,Potentiometer,IC Socket,Relay,Connector.Our parts cover such applications as commercial,industrial, and automotives areas.

We are looking forward to setting up business relationship with you and hope to provide you with the best service and solution. Let us make a better world for our industry!



## Contact us

Tel: +86-755-8981 8866 Fax: +86-755-8427 6832

Email & Skype: info@chipsmall.com Web: www.chipsmall.com

Address: A1208, Overseas Decoration Building, #122 Zhenhua RD., Futian, Shenzhen, China



**MODEL:** CMI-1240-SMT | **DESCRIPTION:** PIEZO BUZZER INDICATOR

**FEATURES**

- low current
- washable
- internally driven



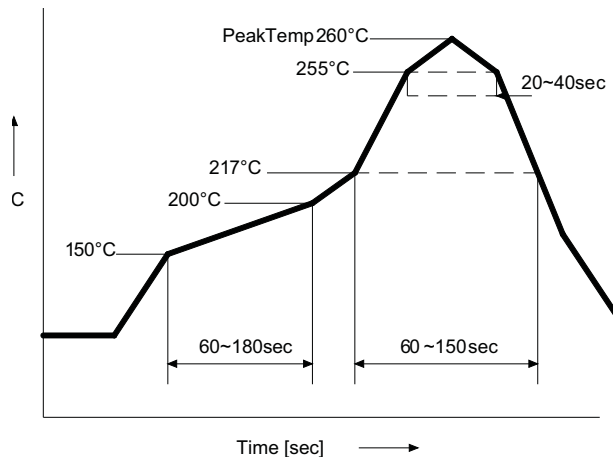
**SPECIFICATIONS**

| parameter             | conditions/description  | min   | typ   | max   | units |
|-----------------------|-------------------------|-------|-------|-------|-------|
| rated voltage         |                         |       | 12    |       | Vdc   |
| operating voltage     |                         | 3     |       | 20    | Vdc   |
| current consumption   | at rated voltage        |       |       | 8     | mA    |
| rated frequency       |                         | 3,500 | 4,000 | 4,500 | Hz    |
| sound pressure level  | at 10 cm, rated voltage | 83    |       |       | dB    |
| dimensions            | 16.9 x 16.9 x 7.8       |       |       |       | mm    |
| weight                |                         |       |       | 2.6   | g     |
| material              | PPS UL-94 V-0 (black)   |       |       |       |       |
| terminal              | SMT type (Au plating)   |       |       |       |       |
| operating temperature |                         | -30   |       | 70    | °C    |
| storage temperature   |                         | -40   |       | 80    | °C    |
| RoHS                  | yes                     |       |       |       |       |

Note: Add suffix "-TR" to the model for tape & reel packaging

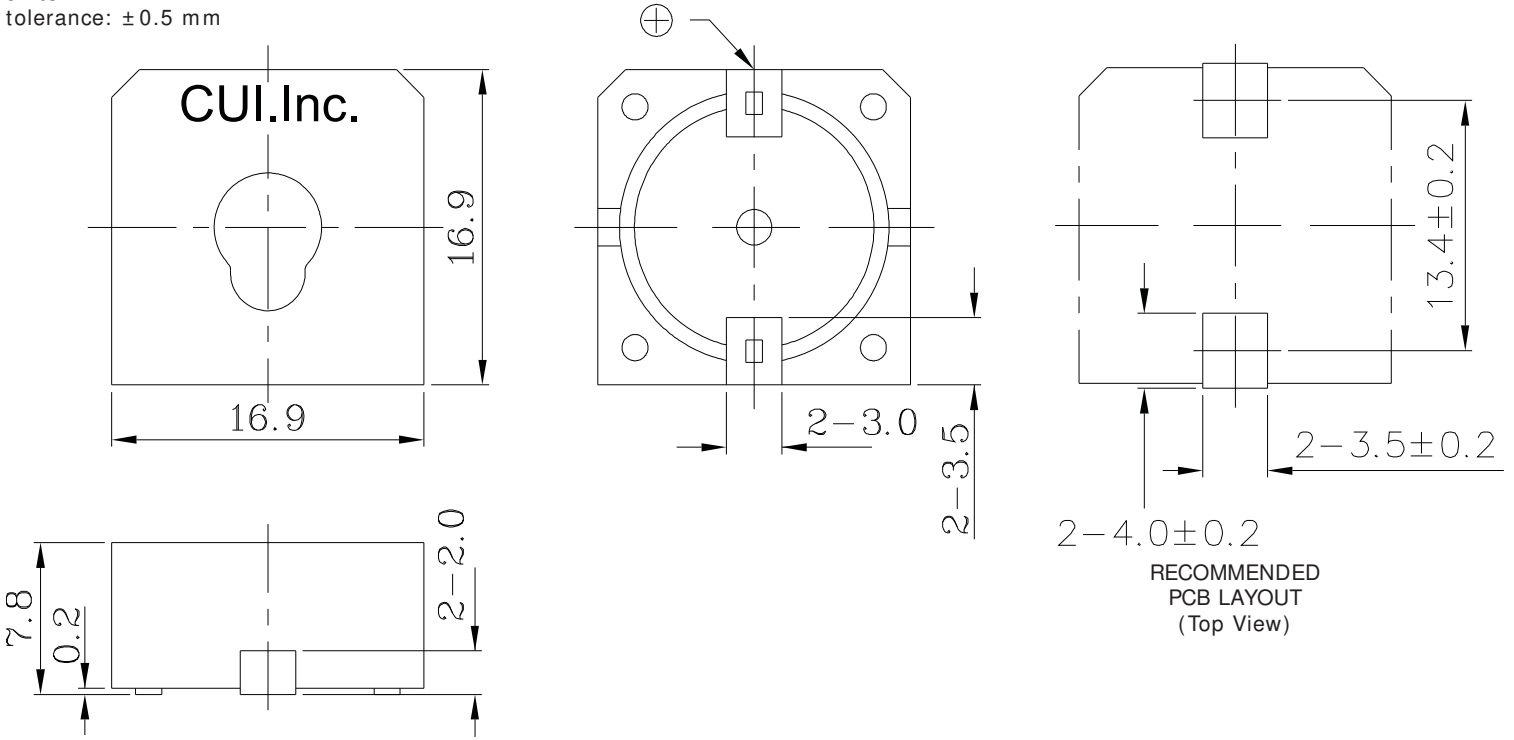
**SOLDERABILITY**

| parameter        | conditions/description | min | typ | max | units |
|------------------|------------------------|-----|-----|-----|-------|
| reflow soldering | see reflow profile     |     |     | 260 | °C    |



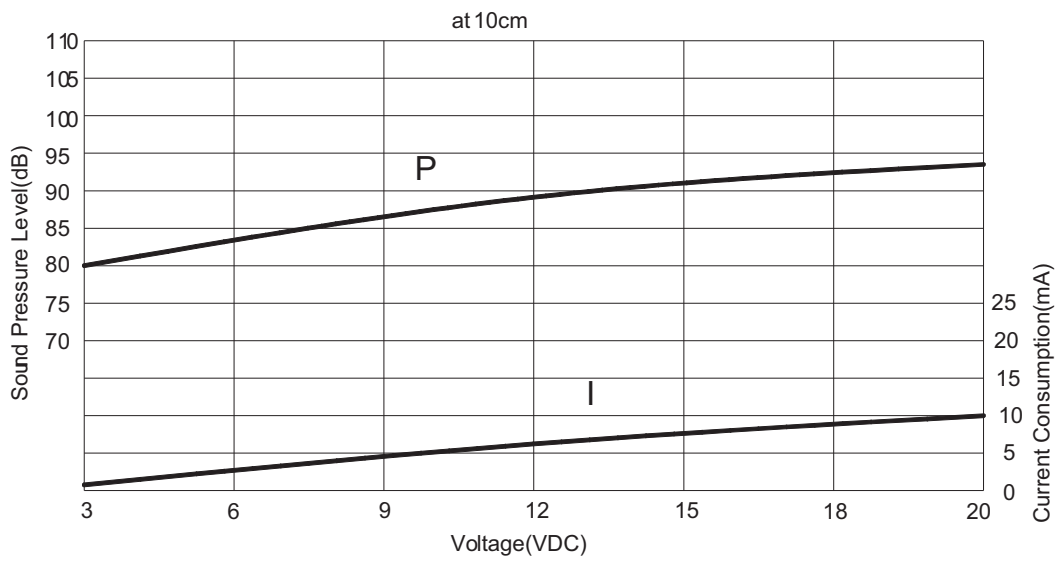
## MECHANICAL DRAWING

units: mm  
tolerance:  $\pm 0.5$  mm



## PERFORMANCE CURVES

P: Voltage vs. Sound Pressure Level  
I: Voltage vs. Current Consumption



## REVISION HISTORY

---

| rev. | description   | date       |
|------|---|------------|
| 1.0  | initial release   | 06/03/2005 |
| 1.01 | updated part number, added TR package option, applied new spec template | 05/13/2013 |

The revision history provided is for informational purposes only and is believed to be accurate.



**CUI INC**<sup>®</sup>

**Headquarters**  
20050 SW 112th Ave.  
Tualatin, OR 97062  
**800.275.4899**

Fax 503.612.2383  
**cui.com**  
techsupport@cui.com

CUI offers a one (1) year limited warranty. Complete warranty information is listed on our website.

CUI reserves the right to make changes to the product at any time without notice. Information provided by CUI is believed to be accurate and reliable. However, no responsibility is assumed by CUI for its use, nor for any infringements of patents or other rights of third parties which may result from its use.

CUI products are not authorized or warranted for use as critical components in equipment that requires an extremely high level of reliability. A critical component is any component of a life support device or system whose failure to perform can be reasonably expected to cause the failure of the life support device or system, or to affect its safety or effectiveness.