



Chipsmall Limited consists of a professional team with an average of over 10 year of expertise in the distribution of electronic components. Based in Hongkong, we have already established firm and mutual-benefit business relationships with customers from,Europe,America and south Asia,supplying obsolete and hard-to-find components to meet their specific needs.

With the principle of “Quality Parts,Customers Priority,Honest Operation,and Considerate Service”,our business mainly focus on the distribution of electronic components. Line cards we deal with include Microchip,ALPS,ROHM,Xilinx,Pulse,ON,Everlight and Freescale. Main products comprise IC,Modules,Potentiometer,IC Socket,Relay,Connector.Our parts cover such applications as commercial,industrial, and automotives areas.

We are looking forward to setting up business relationship with you and hope to provide you with the best service and solution. Let us make a better world for our industry!



Contact us

Tel: +86-755-8981 8866 Fax: +86-755-8427 6832

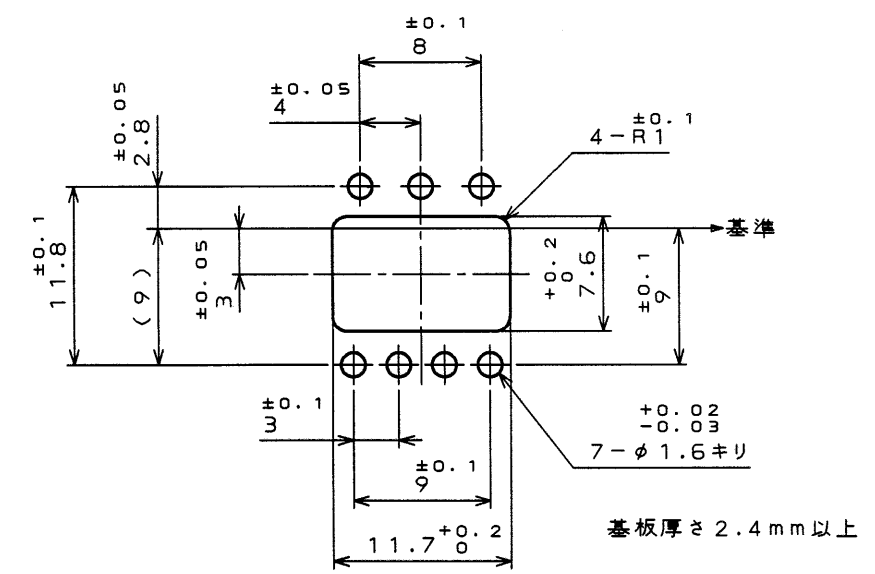
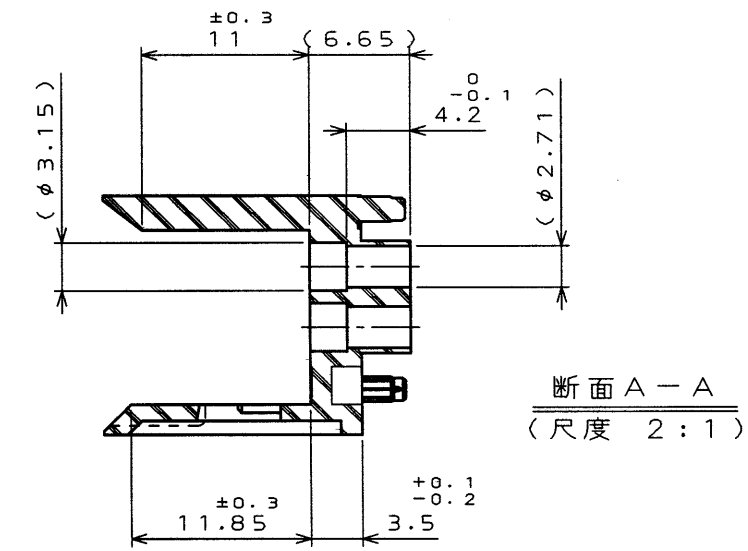
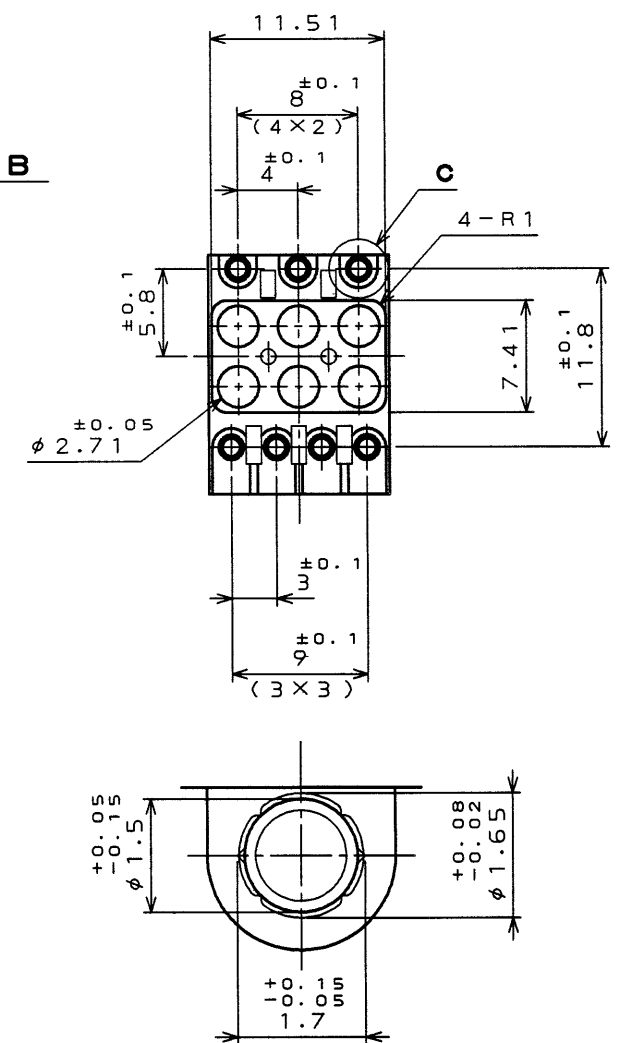
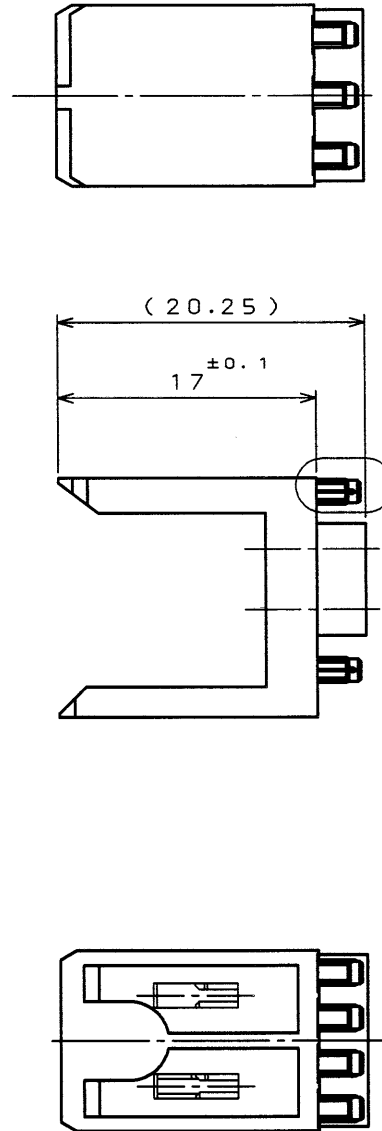
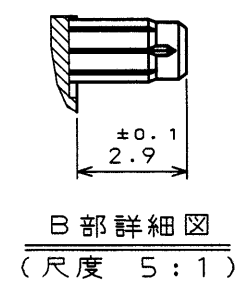
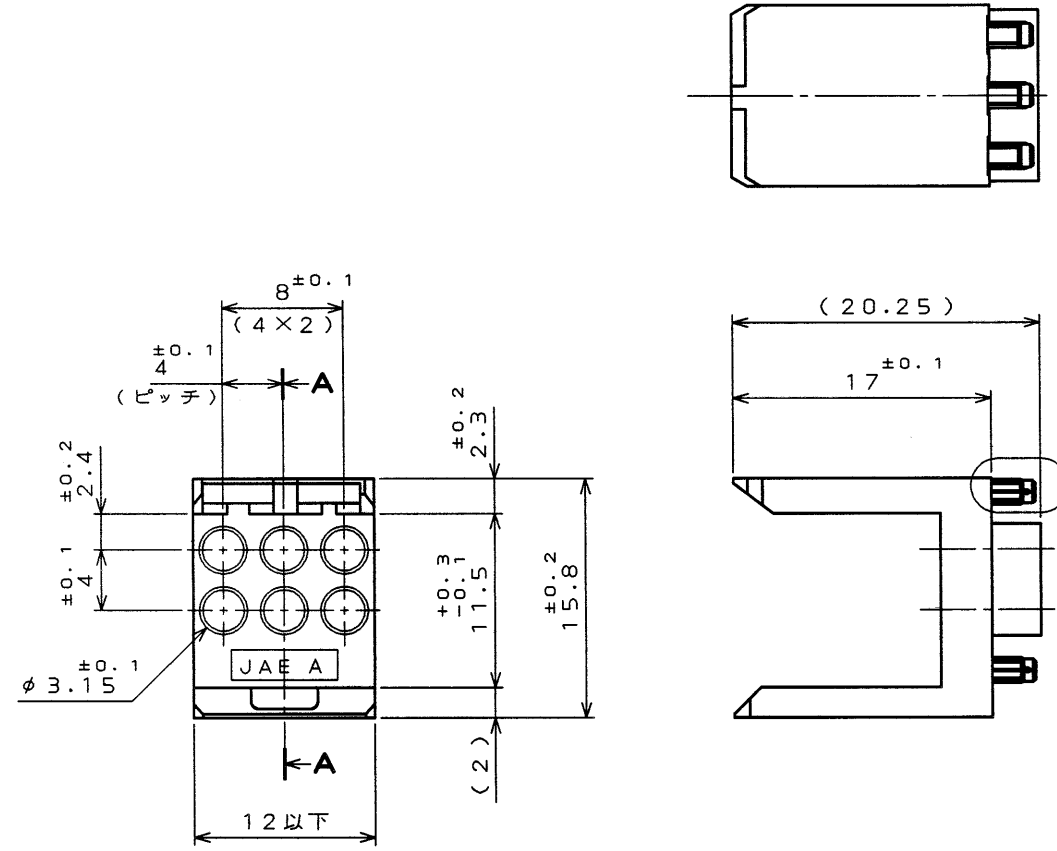
Email & Skype: info@chipsmall.com Web: www.chipsmall.com

Address: A1208, Overseas Decoration Building, #122 Zhenhua RD., Futian, Shenzhen, China

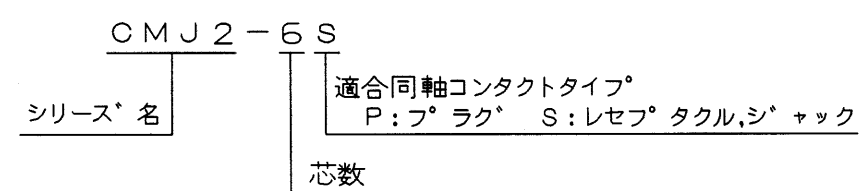


SJ034729
(DRAWING NO.)

版数 REV.	年月日 DATE	DCN NO.	変更内容 DESCRIPTION	製図 DR.	担当 CHK.	査閲 APPD.	承認 APPD.
2	2000.5.30	46194	C部詳細図追加		古勝	杉井	鈴木

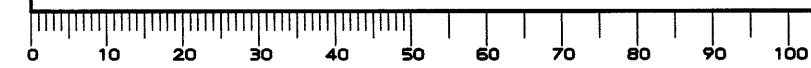


命名法



1	ハウジング	1	ガラス入りLCP	仕上 FINISH	UL94V-0 自然色
符号 NO.	名称 DESCRIPTION	個数 QTY.	材料 MATERIAL	備考 REMARKS	
仕様書 (SPECIFICATION) JACS-2138	第1版 (ORIGINAL DATE) 1999.12.17	製図 DR.	名称 (TITLE) CMJ2-6S	重量 (WEIGHT)	図面番号 (DRAWING NO.) SJ034729
公差 (GENERAL TOLERANCE)	角度 (ANGLES)	製図 DR.	担当 CHK. 古勝	承認 APPD. 杉井	承認 APPD. 鈴木 (隆)
寸法 (DIMENSION)		製図 DR.	承認 APPD.		
. ±0.8	° ±				
.X ±0.4	°X ±				
.XX ±0.1					
.XXX ±					

DOF-C-212D(98.02)



本図面は日本航空電子工業(株)の所有する情報を含むもので当社の許可なく複製を禁止する。
THIS DRAWING CONTAINS INFORMATION THAT IS PROPRIETARY TO JAE AND CAN NOT BE REPRODUCED WITHOUT WRITTEN CONSENT OF JAE.

CDS-99-140-10552
A3
SIZE