



Chipsmall Limited consists of a professional team with an average of over 10 year of expertise in the distribution of electronic components. Based in Hongkong, we have already established firm and mutual-benefit business relationships with customers from,Europe,America and south Asia,supplying obsolete and hard-to-find components to meet their specific needs.

With the principle of “Quality Parts,Customers Priority,Honest Operation,and Considerate Service”,our business mainly focus on the distribution of electronic components. Line cards we deal with include Microchip,ALPS,ROHM,Xilinx,Pulse,ON,Everlight and Freescale. Main products comprise IC,Modules,Potentiometer,IC Socket,Relay,Connector.Our parts cover such applications as commercial,industrial, and automotives areas.

We are looking forward to setting up business relationship with you and hope to provide you with the best service and solution. Let us make a better world for our industry!



Contact us

Tel: +86-755-8981 8866 Fax: +86-755-8427 6832

Email & Skype: info@chipsmall.com Web: www.chipsmall.com

Address: A1208, Overseas Decoration Building, #122 Zhenhua RD., Futian, Shenzhen, China

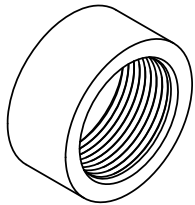


8 7 6 5 4 3 2 1

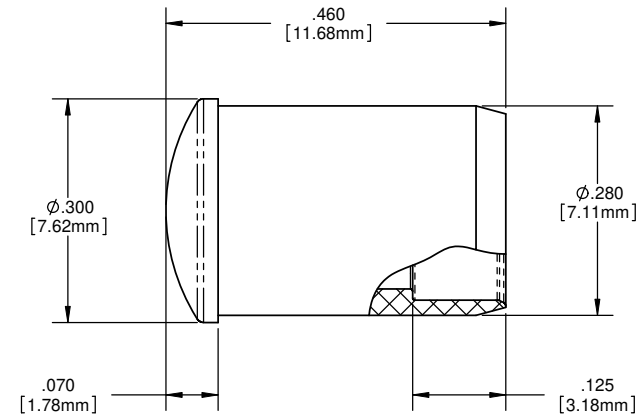
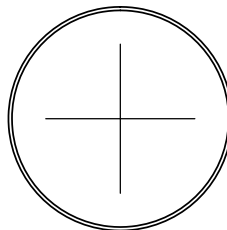
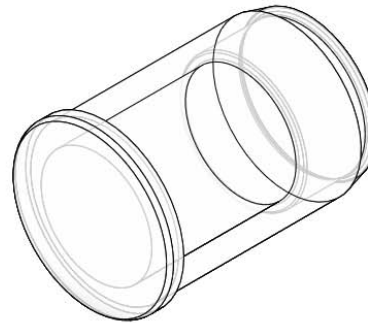
- NOTES:
1. MOUNTING: Mounts in a $\phi .281 \pm .002$ [$\phi 7.13\text{mm} \pm .05$] panel hole on .375 [9.5mm] centers. Panel thickness .031 [0.8mm] to .250 [6.35mm]. Panel hole should be deburred, but not chamfered.
 2. ASSEMBLY: Insert lens through panel hole, slide RNG 268 retainer on back of lens. PCB mounted LEDs slide into lens when the panel cover is closed or the PCB card is inserted into the case.
 3. MATERIAL: Polycarbonate, UL 94-V2
 4. U.S. & Foreign Pat. Issued & Pend.

REVISIONS				
ECN#	REV.	DESCRIPTION	DATE	INITIALS
	001	REVISED PER EC R111009AZ01	4-23-10	SMU

RETAINER
(ORDER SEPARATELY)



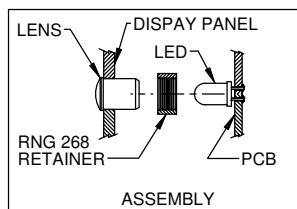
RNG 268



ORDERING CODE : **CML327 XXX**

MODEL

LENS COLOR	
CTP	CLEAR TRANSPARENT



<small>DIMENSION STYLE: INCHES / MM GENERAL TOLERANCES UNLESS OTHERWISE SPECIFIED</small> <table border="1"> <tr> <td></td> <td>INCHES</td> <td>MM</td> </tr> <tr> <td>X</td> <td>$\pm .005$</td> <td>$\pm .208$</td> </tr> <tr> <td>XX</td> <td>$\pm .010$</td> <td>$\pm .254$</td> </tr> <tr> <td>XXX</td> <td>$\pm .015$</td> <td>$\pm .327$</td> </tr> </table>		INCHES	MM	X	$\pm .005$	$\pm .208$	XX	$\pm .010$	$\pm .254$	XXX	$\pm .015$	$\pm .327$	MATERIAL POLYCARBONATE, UL 94-V2	VCC OPTO ELECTRONICS <small>190 BOSTON BLVD. SUITE 101 SAN MARCOS, CA 92069 U.S.A. PHONE: (760) 560-1300, FAX: (760) 560-1301 EMAIL: vc@vcc.com</small>
		INCHES	MM											
X	$\pm .005$	$\pm .208$												
XX	$\pm .010$	$\pm .254$												
XXX	$\pm .015$	$\pm .327$												
<small>THIRD ANGLE PROJECTION</small> 	FINISH SEE NOTES	TITLE: 5MM ROUND PLAIN END LENS												
<small>PROPRIETARY AND CONFIDENTIAL</small> <small>THE INFORMATION CONTAINED IN THIS DRAWING IS THE SOLE PROPERTY OF VCC. CONSTRUCTION OF DRAWING, FOR ANY REPRODUCTION IN PART OR AS A WHOLE, WITHOUT PERMISSION IS STRICTLY PROHIBITED.</small>	APPROVAL DRAWN SMU CHECKED DZ	DATE 4-23-10 4-23-10												
DO NOT SCALE DRAWING		SIZE DWG. NO. B CML 327 XXX	REV 001											
		SCALE: 1:1	SHEET 1 OF 1											

8 7 6 5 4 3 2 1