



Chipsmall Limited consists of a professional team with an average of over 10 year of expertise in the distribution of electronic components. Based in Hongkong, we have already established firm and mutual-benefit business relationships with customers from,Europe,America and south Asia,supplying obsolete and hard-to-find components to meet their specific needs.

With the principle of "Quality Parts,Customers Priority,Honest Operation,and Considerate Service",our business mainly focus on the distribution of electronic components. Line cards we deal with include Microchip,ALPS,ROHM,Xilinx,Pulse,ON,Everlight and Freescale. Main products comprise IC,Modules,Potentiometer,IC Socket,Relay,Connector.Our parts cover such applications as commercial,industrial, and automotives areas.

We are looking forward to setting up business relationship with you and hope to provide you with the best service and solution. Let us make a better world for our industry!



Contact us

Tel: +86-755-8981 8866 Fax: +86-755-8427 6832

Email & Skype: info@chipsmall.com Web: www.chipsmall.com

Address: A1208, Overseas Decoration Building, #122 Zhenhua RD., Futian, Shenzhen, China



CMPF4391
CMPF4392
CMPF4393

**SURFACE MOUNT
N-CHANNEL
SILICON JFET**



SOT-23 CASE



www.centralemi.com

DESCRIPTION:

The CENTRAL SEMICONDUCTOR CMPF4391 series types are N-Channel Silicon Field Effect Transistors manufactured by the epitaxial planar process, epoxy molded in a surface mount package, designed for switching applications.

MARKING CODE:

CMPF4391: 6J
CMPF4392: 6K
CMPF4393: 6G

MAXIMUM RATINGS: ($T_A=25^\circ\text{C}$)

Drain-Gate Voltage
Gate-Source Voltage
Drain-Source Voltage
Gate Current
Power Dissipation
Operating and Storage Junction Temperature
Thermal Resistance

SYMBOL

V_{GD} 40
 V_{GS} 40
 V_{DS} 40
 I_G 50
 P_D 350
 T_J, T_{stg} -65 to +150
 θ_{JA} 357

UNITS

V
V
V
mA
mW
 $^\circ\text{C}$
 $^\circ\text{C/W}$

ELECTRICAL CHARACTERISTICS: ($T_A=25^\circ\text{C}$ unless otherwise noted)

SYMBOL	TEST CONDITIONS	CMPF4391		CMPF4392		CMPF4393		UNITS
		MIN	MAX	MIN	MAX	MIN	MAX	
I_{GSS}	$V_{GS}=20\text{V}$	-	0.1	-	0.1	-	0.1	nA
I_{GSS}	$V_{GS}=20\text{V}, T_A=100^\circ\text{C}$	-	0.2	-	0.2	-	0.2	μA
I_{DSS}	$V_{DS}=20\text{V}$	50	150	25	75	5.0	30	mA
$I_{D(OFF)}$	$V_{DS}=20\text{V}, V_{GS}=12\text{V}$	-	0.1	-	-	-	-	nA
$I_{D(OFF)}$	$V_{DS}=20\text{V}, V_{GS}=7.0\text{V}$	-	-	-	0.1	-	-	nA
$I_{D(OFF)}$	$V_{DS}=20\text{V}, V_{GS}=5.0\text{V}$	-	-	-	-	-	0.1	nA
$I_{D(OFF)}$	$V_{DS}=20\text{V}, V_{GS}=12\text{V}, T_A=100^\circ\text{C}$	-	0.2	-	-	-	-	μA
$I_{D(OFF)}$	$V_{DS}=20\text{V}, V_{GS}=7.0\text{V}, T_A=100^\circ\text{C}$	-	-	-	0.2	-	-	μA
$I_{D(OFF)}$	$V_{DS}=20\text{V}, V_{GS}=5.0\text{V}, T_A=100^\circ\text{C}$	-	-	-	-	-	0.2	μA
BV_{GSS}	$I_G=1.0\mu\text{A}$	40	-	40	-	40	-	V
$V_{GS(OFF)}$	$V_{DS}=20\text{V}, I_D=1.0\text{nA}$	4.0	10	2.0	5.0	0.5	3.0	V
$V_{GS(f)}$	$I_G=1.0\text{mA}$	-	1.0	-	1.0	-	1.0	V
$V_{DS(ON)}$	$I_D=12\text{mA}$	-	0.4	-	-	-	-	V
$V_{DS(ON)}$	$I_D=6.0\text{mA}$	-	-	-	0.4	-	-	V
$V_{DS(ON)}$	$I_D=3.0\text{mA}$	-	-	-	-	-	0.4	V
$r_{DS(ON)}$	$I_D=1.0\text{mA}, V_{GS}=0$	-	30	-	60	-	100	Ω
$r_{ds(ON)}$	$V_{GS}=0, I_D=0, f=1.0\text{kHz}$	-	30	-	60	-	100	Ω
C_{iss}	$V_{DS}=20\text{V}, V_{GS}=0, f=1.0\text{MHz}$	-	14	-	14	-	14	pF

R5 (27-January 2010)

CMPF4391
 CMPF4392
 CMPF4393

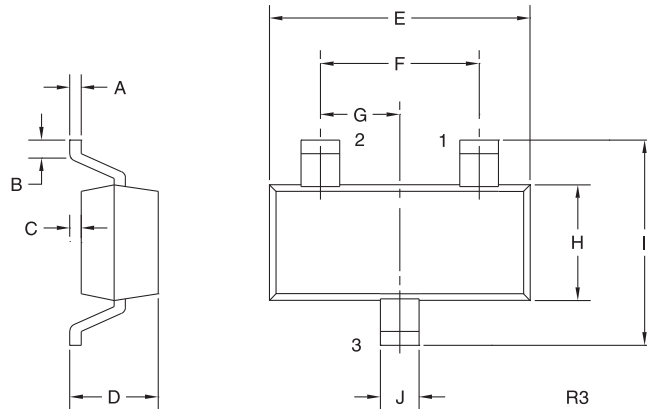


**SURFACE MOUNT
 N-CHANNEL
 SILICON JFET**

ELECTRICAL CHARACTERISTICS: ($T_A=25^\circ\text{C}$ unless otherwise noted)

SYMBOL	TEST CONDITIONS	CMPF4391		CMPF4392		CMPF4393		UNITS
		MIN	MAX	MIN	MAX	MIN	MAX	
C_{rss}	$V_{GS}=12V, V_{DS}=0, f=1.0\text{MHz}$	-	3.5	-	-	-	-	pF
C_{rss}	$V_{GS}=7.0V, V_{DS}=0, f=1.0\text{MHz}$	-	-	-	3.5	-	-	pF
C_{rss}	$V_{GS}=5.0V, V_{DS}=0, f=1.0\text{MHz}$	-	-	-	-	-	3.5	pF
t_{ON}	$I_{D(ON)}=12\text{mA}$	-	15	-	-	-	-	ns
t_{ON}	$I_{D(ON)}=6.0\text{mA}$	-	-	-	15	-	-	ns
t_{ON}	$I_{D(ON)}=3.0\text{mA}$	-	-	-	-	-	15	ns
t_{OFF}	$V_{GS(OFF)}=12V$	-	20	-	-	-	-	ns
t_{OFF}	$V_{GS(OFF)}=7.0V$	-	-	-	35	-	-	ns
t_{OFF}	$V_{GS(OFF)}=5.0V$	-	-	-	-	-	50	ns

SOT-23 CASE - MECHANICAL OUTLINE



LEAD CODE:

- 1) Drain
- 2) Source
- 3) Gate

MARKING CODES:

CMPF4391: 6J
CMPF4392: 6K
CMPF4393: 6G

DIMENSIONS				
SYMBOL	INCHES		MILLIMETERS	
	MIN	MAX	MIN	MAX
A	0.003	0.007	0.08	0.18
B	0.006	-	0.15	-
C	-	0.005	-	0.13
D	0.035	0.043	0.89	1.09
E	0.110	0.120	2.80	3.05
F	0.075		1.90	
G	0.037		0.95	
H	0.047	0.055	1.19	1.40
I	0.083	0.098	2.10	2.49
J	0.014	0.020	0.35	0.50

SOT-23 (REV: R3)

R5 (27-January 2010)

OUTSTANDING SUPPORT AND SUPERIOR SERVICES



PRODUCT SUPPORT

Central's operations team provides the highest level of support to insure product is delivered on-time.

- Supply management (Customer portals)
- Inventory bonding
- Consolidated shipping options
- Custom bar coding for shipments
- Custom product packing

DESIGNER SUPPORT/SERVICES

Central's applications engineering team is ready to discuss your design challenges. Just ask.

- Free quick ship samples (2nd day air)
- Online technical data and parametric search
- SPICE models
- Custom electrical curves
- Environmental regulation compliance
- Customer specific screening
- Up-screening capabilities
- Special wafer diffusions
- PbSn plating options
- Package details
- Application notes
- Application and design sample kits
- Custom product and package development

REQUESTING PRODUCT PLATING

1. If requesting Tin/Lead plated devices, add the suffix "TIN/LEAD" to the part number when ordering (example: 2N2222A TIN/LEAD).
2. If requesting Lead (Pb) Free plated devices, add the suffix "PBFREE" to the part number when ordering (example: 2N2222A PBFREE).

CONTACT US

Corporate Headquarters & Customer Support Team

Central Semiconductor Corp.
145 Adams Avenue
Hauppauge, NY 11788 USA
Main Tel: (631) 435-1110
Main Fax: (631) 435-1824
Support Team Fax: (631) 435-3388
www.centrasemi.com

Worldwide Field Representatives:
www.centrasemi.com/wwreps

Worldwide Distributors:
www.centrasemi.com/wwdistributors

For the latest version of Central Semiconductor's **LIMITATIONS AND DAMAGES DISCLAIMER**, which is part of Central's Standard Terms and Conditions of sale, visit: www.centrasemi.com/terms