



Chipsmall Limited consists of a professional team with an average of over 10 year of expertise in the distribution of electronic components. Based in Hongkong, we have already established firm and mutual-benefit business relationships with customers from,Europe,America and south Asia,supplying obsolete and hard-to-find components to meet their specific needs.

With the principle of "Quality Parts,Customers Priority,Honest Operation,and Considerate Service",our business mainly focus on the distribution of electronic components. Line cards we deal with include Microchip,ALPS,ROHM,Xilinx,Pulse,ON,Everlight and Freescale. Main products comprise IC,Modules,Potentiometer,IC Socket,Relay,Connector.Our parts cover such applications as commercial,industrial, and automotives areas.

We are looking forward to setting up business relationship with you and hope to provide you with the best service and solution. Let us make a better world for our industry!



## Contact us

Tel: +86-755-8981 8866 Fax: +86-755-8427 6832

Email & Skype: info@chipsmall.com Web: www.chipsmall.com

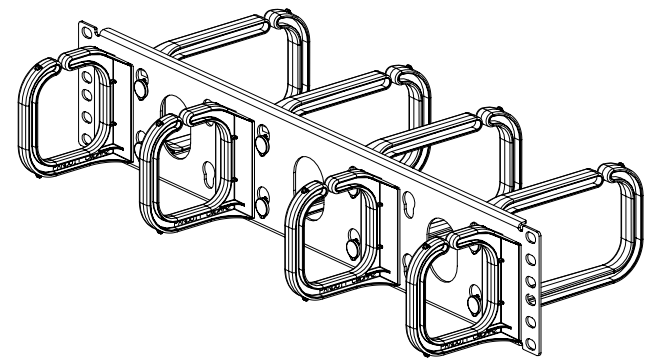
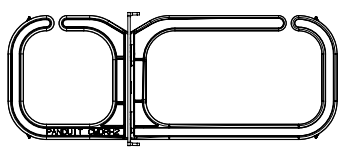
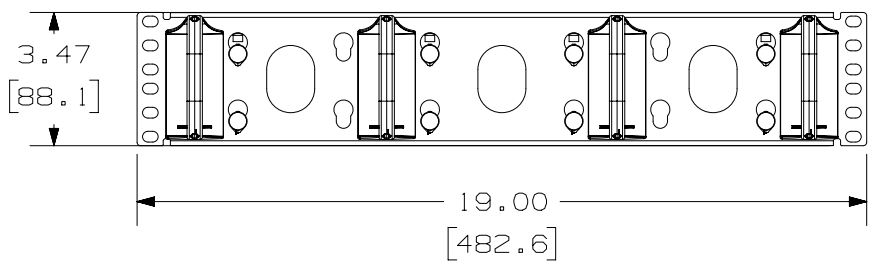
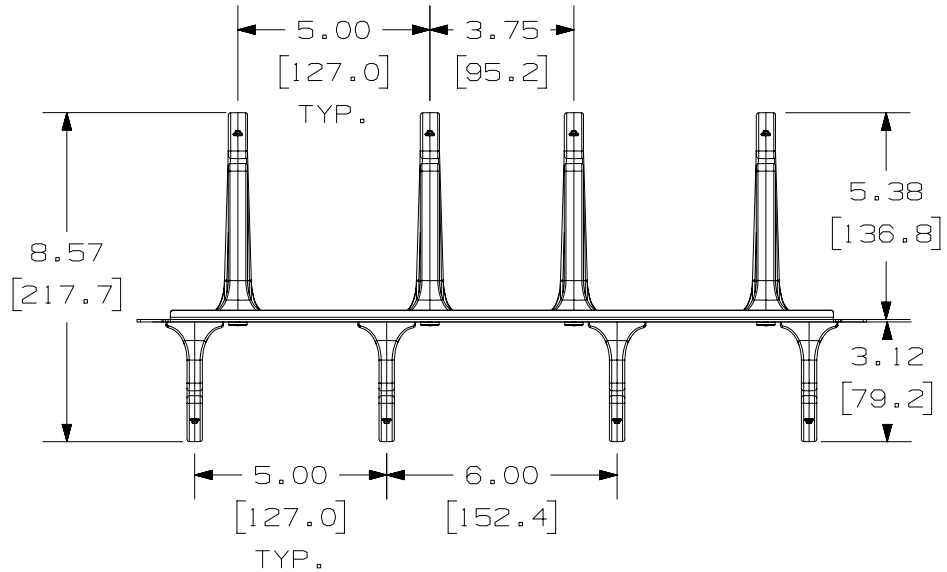
Address: A1208, Overseas Decoration Building, #122 Zhenhua RD., Futian, Shenzhen, China



2

1

THIS COPY IS PROVIDED ON A RESTRICTED BASIS AND IS NOT TO BE USED IN ANY WAY DETRIMENTAL TO THE INTERESTS OF PANDUIT CORP.



PANDUIT P/N	WEIGHT
CMPH2	1.8 LB/EACH PC .84 kg/EACH PC

- NOTES:
- SEE CATALOG FOR COMPLETE LIST OF PARTS APPLICABLE FOR USE WITH THIS PART.
  - DIMENSIONS IN PARENTHESES ARE IN METRIC.
  - PARTS INCLUDED:  
4- SMALL D-RINGS  
4- LARGE D-RINGS  
1- METAL STAMPING  
4- 12-24 SCREWS
  - FOR OPTIONAL SNAP ON COVER USE PART NUMBER CMPH2C.

B

B

A

A

A

A

REV	DATE	BY	CHK	APR	DESCRIPTION	ECN
05A	3-26-15	TWV	MACA	KRKE	BOM ADJUSTMENT; REVISED NOTES.	00072-15
04A	4-1-13	BAME	FGR	CMK	REVISED AND REDRAWN; ALL PREVIOUS REVS OMITTED	00072-15

TITLE <b>OPEN CABLE MANAGEMENT PANEL HORIZONTAL (CMPH2)</b> CUSTOMER DRAWING					
ITEM REVISION NAME M00072AB/05			<b>PANDUIT</b>		
DATASET FILE NAME M00072AB_DC/05A					
UNLESS OTHERWISE SPECIFIED, DIMENSIONAL TOLERANCES ARE: IN ( mm )					
DRAWN BY JSP			MATERIAL: STAMPING- BLACK POWDER COATED STEEL		
DATE 7-16-98			RINGS- BLACK PC		
CHK FJD			DRAWING NUMBER: 00072-15		
SCALE NONE			SHT 1 OF 1		
			SIZE A		

D101000DA/15

2

1