



Chipsmall Limited consists of a professional team with an average of over 10 year of expertise in the distribution of electronic components. Based in Hongkong, we have already established firm and mutual-benefit business relationships with customers from,Europe,America and south Asia,supplying obsolete and hard-to-find components to meet their specific needs.

With the principle of “Quality Parts,Customers Priority,Honest Operation,and Considerate Service”,our business mainly focus on the distribution of electronic components. Line cards we deal with include Microchip,ALPS,ROHM,Xilinx,Pulse,ON,Everlight and Freescale. Main products comprise IC,Modules,Potentiometer,IC Socket,Relay,Connector.Our parts cover such applications as commercial,industrial, and automotives areas.

We are looking forward to setting up business relationship with you and hope to provide you with the best service and solution. Let us make a better world for our industry!



Contact us

Tel: +86-755-8981 8866 Fax: +86-755-8427 6832

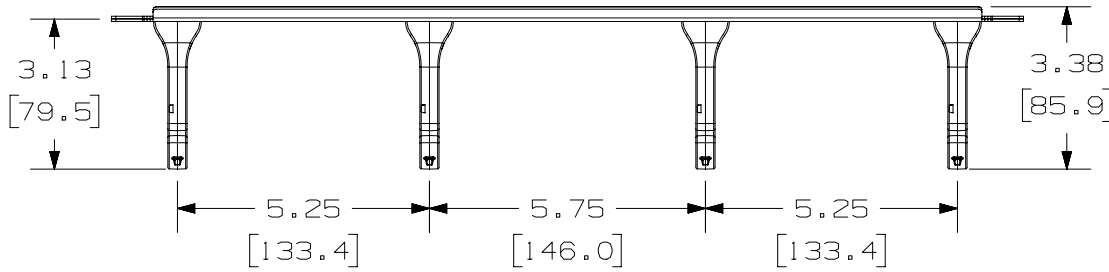
Email & Skype: info@chipsmall.com Web: www.chipsmall.com

Address: A1208, Overseas Decoration Building, #122 Zhenhua RD., Futian, Shenzhen, China



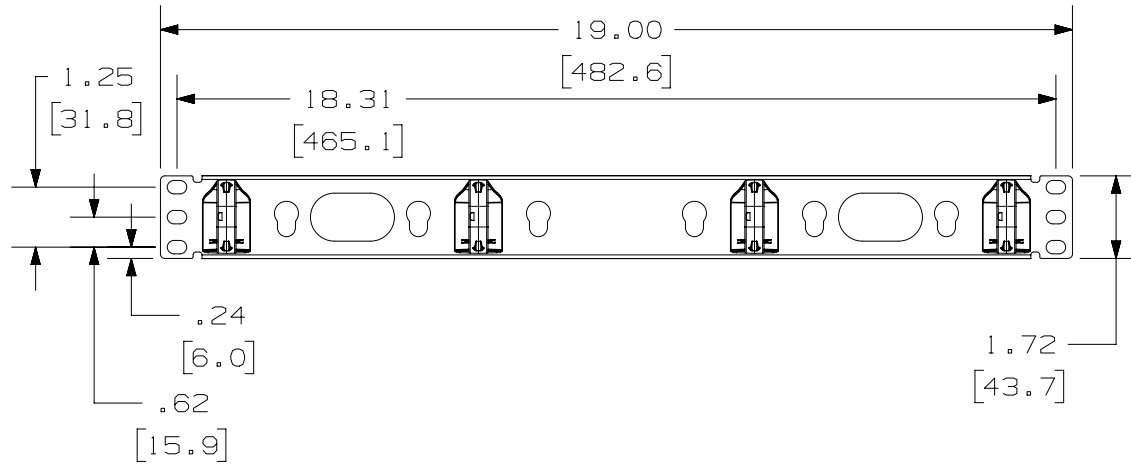
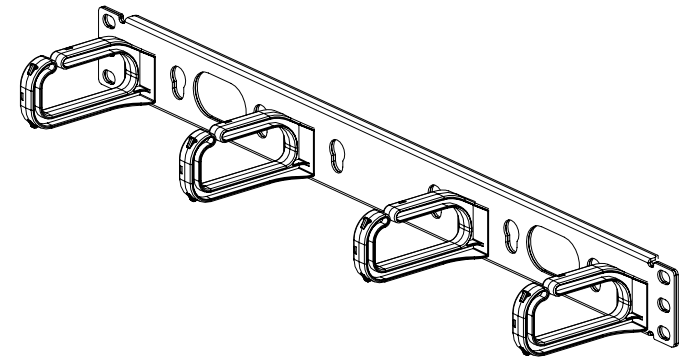
THIS COPY IS PROVIDED ON A RESTRICTED BASIS AND IS NOT TO BE USED IN ANY WAY DETRIMENTAL TO THE INTERESTS OF PANDUIT CORP.

PANDUIT P/N	WEIGHT
CMPHF1	.65 LB/EACH PC (293.4 g/EACH PC)



NOTES:

- SEE CATALOG FOR COMPLETE LIST OF PARTS APPLICABLE FOR USE WITH THIS PART.
- DIMENSIONS IN PARENTHESES ARE IN METRIC.
- COMPONENTS:
4- D-RINGS
1- METAL STAMPING
4- 12-24 SCREWS
- FOR OPTIONAL SNAP ON COVER USE PART NUMBER CMPHIC.



TITLE		OPEN CABLE MANAGEMENT PANEL HORIZONTAL FRONT ONLY (CMPHF1)	
CUSTOMER DRAWING			
ITEM REVISION NAME		M00671AD/03	
DATASET FILE NAME		M00671AD_DC/03A	
UNLESS OTHERWISE SPECIFIED, DIMENSIONAL TOLERANCES ARE: IN (mm)		MATERIAL: STAMPING- BLACK POWDER COATED C.R.S.	
DRAWING NUMBER:		D-RINGS- BLACK PC 00671-05	
THIRD ANGLE PROJECTION		SHT 1 OF 1	
DRAWN BY	DATE	CHK	SCALE
JsP	11-1-99	CEF	NONE
REV	DATE	BY	CHK
03A	3-26-15	TWV	MACA
DESCRIPTION		ECN	
BOM ADJUSTMENT; REVISED NOTES.		00671-05	

D101000DA/15