



Chipsmall Limited consists of a professional team with an average of over 10 year of expertise in the distribution of electronic components. Based in Hongkong, we have already established firm and mutual-benefit business relationships with customers from,Europe,America and south Asia,supplying obsolete and hard-to-find components to meet their specific needs.

With the principle of “Quality Parts,Customers Priority,Honest Operation,and Considerate Service”,our business mainly focus on the distribution of electronic components. Line cards we deal with include Microchip,ALPS,ROHM,Xilinx,Pulse,ON,Everlight and Freescale. Main products comprise IC,Modules,Potentiometer,IC Socket,Relay,Connector.Our parts cover such applications as commercial,industrial, and automotives areas.

We are looking forward to setting up business relationship with you and hope to provide you with the best service and solution. Let us make a better world for our industry!



Contact us

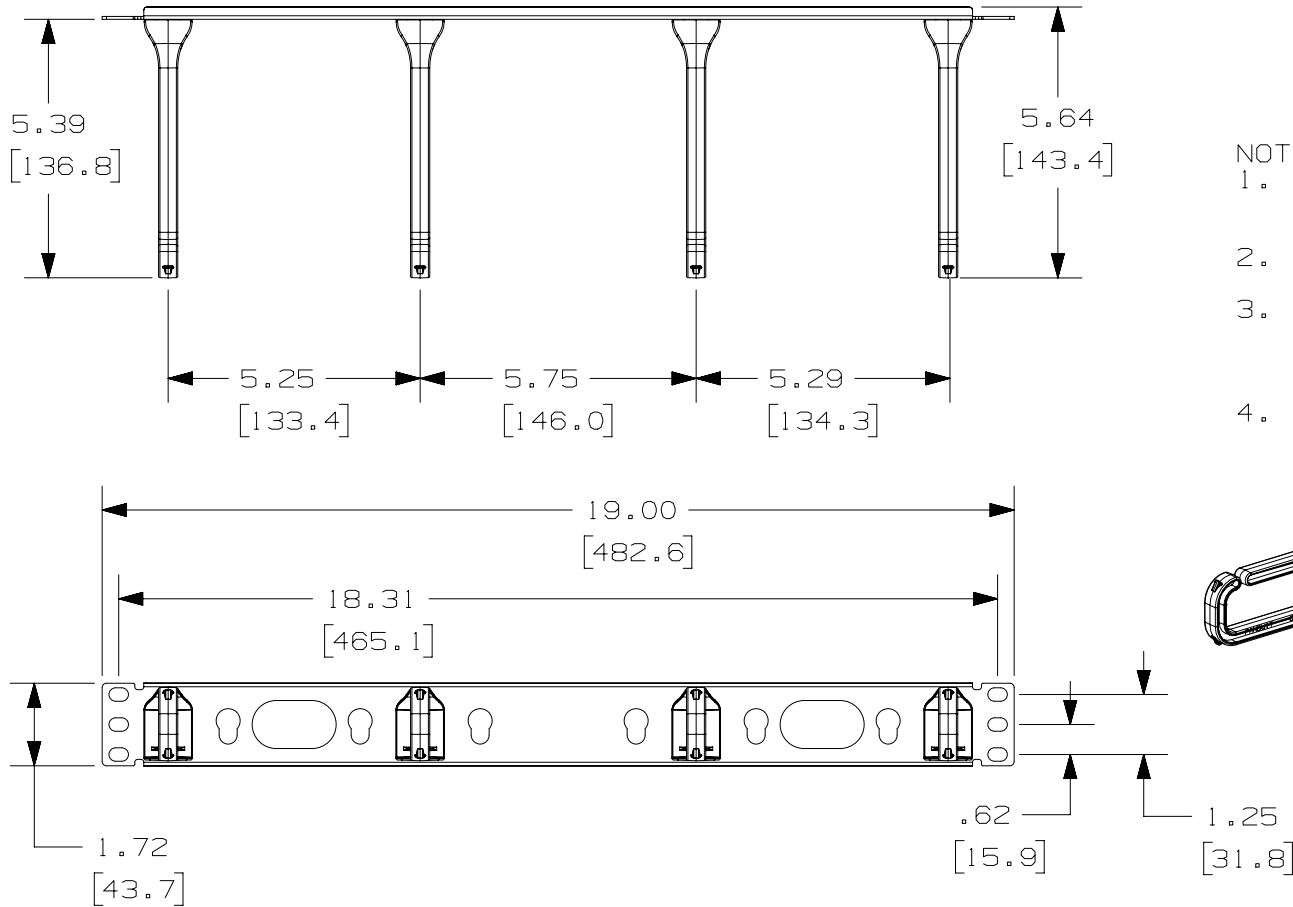
Tel: +86-755-8981 8866 Fax: +86-755-8427 6832

Email & Skype: info@chipsmall.com Web: www.chipsmall.com

Address: A1208, Overseas Decoration Building, #122 Zhenhua RD., Futian, Shenzhen, China



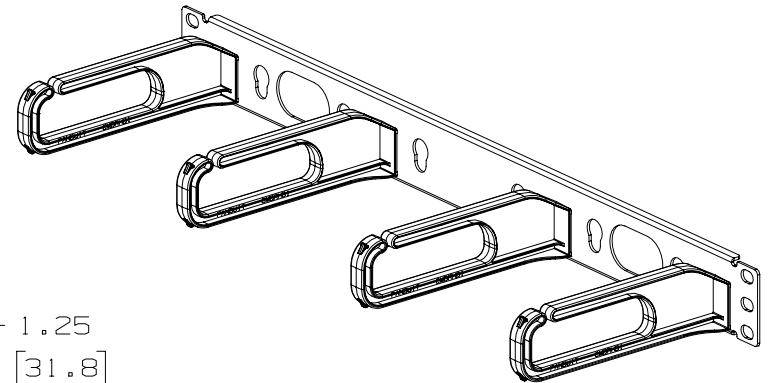
THIS COPY IS PROVIDED ON A RESTRICTED BASIS AND IS NOT TO BE USED IN ANY WAY DETRIMENTAL TO THE INTERESTS OF PANDUIT CORP.



PANDUIT P/N	WEIGHT
CMPHHF1	.71 LB/EACH PC .3 kg/EACH PC

NOTES:

- SEE CATALOG FOR COMPLETE LIST OF PARTS APPLICABLE FOR USE WITH THIS PART.
- DIMENSIONS IN PARENTHESES ARE IN METRIC.
- PARTS INCLUDED:
4 - D-RINGS
1 - METAL STAMPING
4 - 12-24 SCREWS
- FOR OPTIONAL SNAP ON COVER USE PART NUMBER CMPHIC.



REV	DATE	BY	CHK	APR	DESCRIPTION	ECN
02A	3-26-15	TWV	MACA	KRKE	BOM ADJUSTMENT; REVISED NOTES.	00671-14
01B	4-1-13	BAME	FGR	CMK	REVISED AND REDRAWN; ALL PREVIOUS REVS OMITTED UPDATED TITLE BLOCK	00671-14

TITLE OPEN CABLE MANAGEMENT PANEL HORIZONTAL HIGH DENSITY (CMPHHF1) CUSTOMER DRAWING	
ITEM REVISION NAME M00671AF/02	PANDUIT
DATASET FILE NAME M00671AF_DC/02A	
UNLESS OTHERWISE SPECIFIED, DIMENSIONAL TOLERANCES ARE: IN (mm)	
MATERIAL: STAMPING- BLACK POWDER COATED C.R.S.	
D-RINGS- BLACK PC	
DRAWING NUMBER: 00671-14	
DRAWN BY SJA	DATE 12-17-99
CHK DABE	SCALE NONE
THIRD ANGLE PROJECTION	
SHT 1 OF 1	
SIZE A	

D101000DA/15