



Chipsmall Limited consists of a professional team with an average of over 10 year of expertise in the distribution of electronic components. Based in Hongkong, we have already established firm and mutual-benefit business relationships with customers from,Europe,America and south Asia,supplying obsolete and hard-to-find components to meet their specific needs.

With the principle of “Quality Parts,Customers Priority,Honest Operation,and Considerate Service”,our business mainly focus on the distribution of electronic components. Line cards we deal with include Microchip,ALPS,ROHM,Xilinx,Pulse,ON,Everlight and Freescale. Main products comprise IC,Modules,Potentiometer,IC Socket,Relay,Connector.Our parts cover such applications as commercial,industrial, and automotives areas.

We are looking forward to setting up business relationship with you and hope to provide you with the best service and solution. Let us make a better world for our industry!



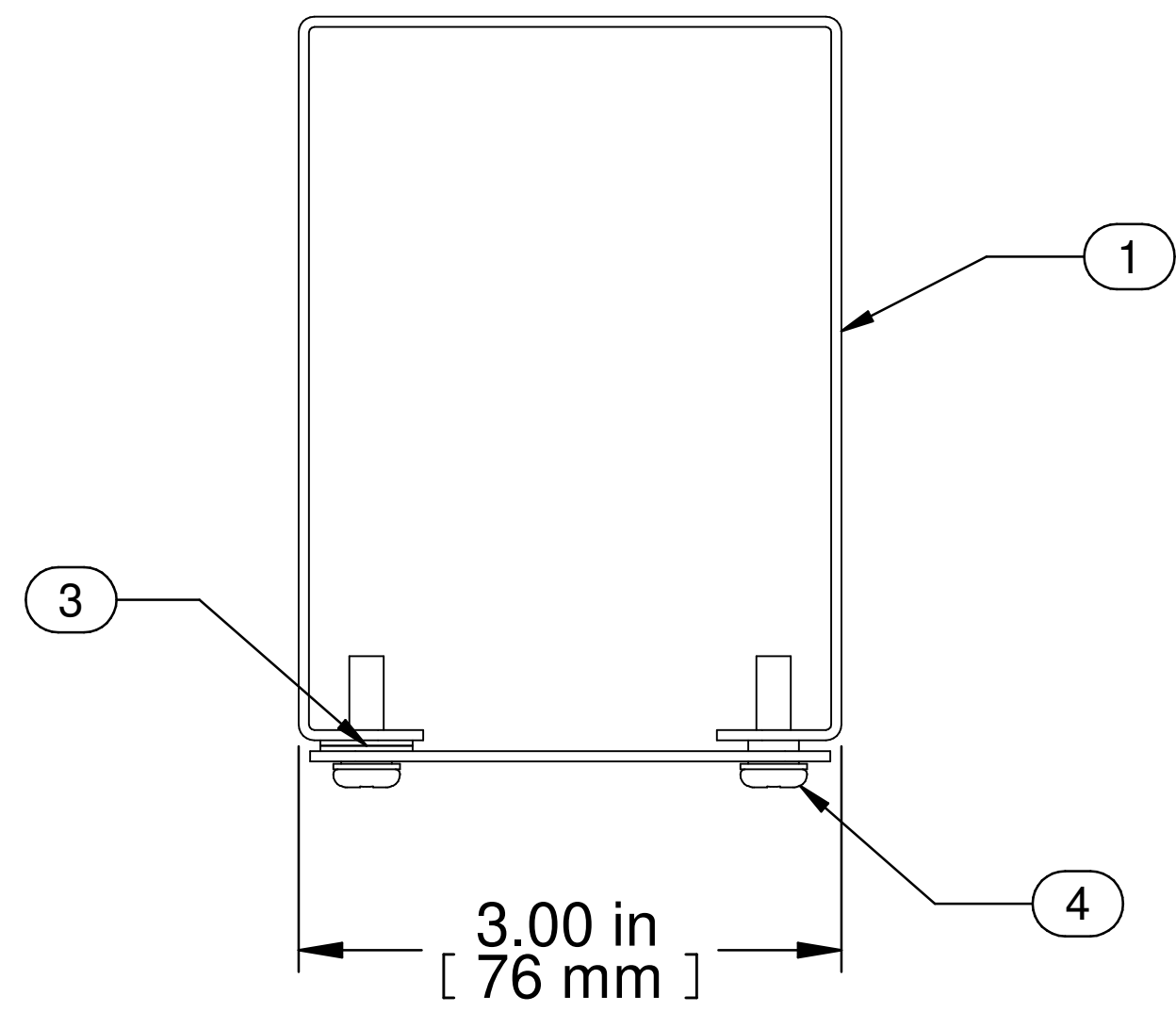
## Contact us

Tel: +86-755-8981 8866 Fax: +86-755-8427 6832

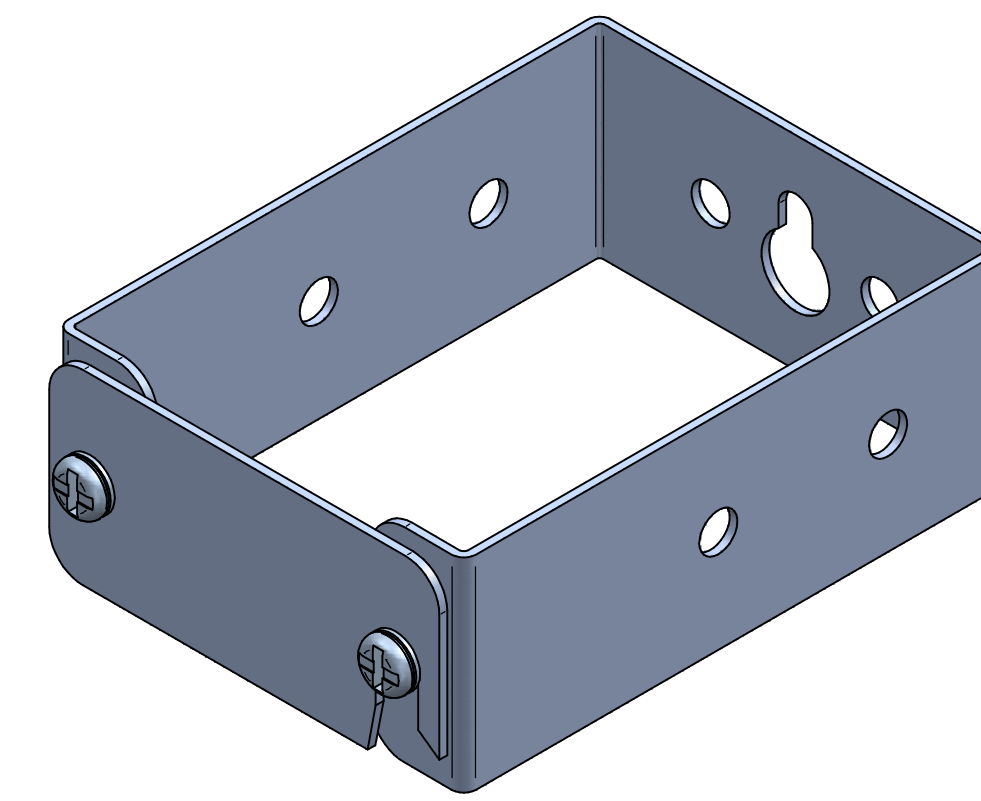
Email & Skype: info@chipsmall.com Web: www.chipsmall.com

Address: A1208, Overseas Decoration Building, #122 Zhenhua RD., Futian, Shenzhen, China

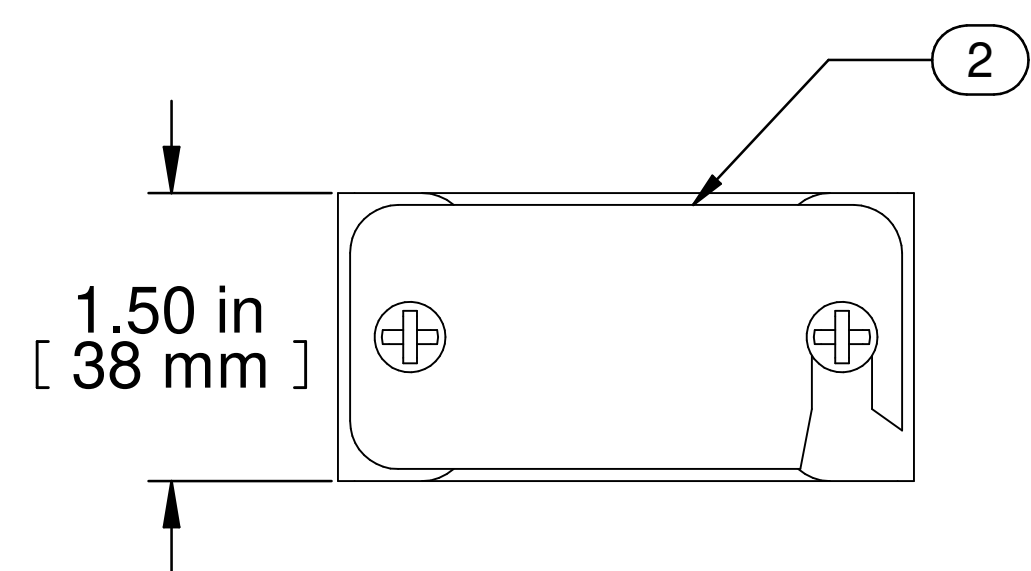




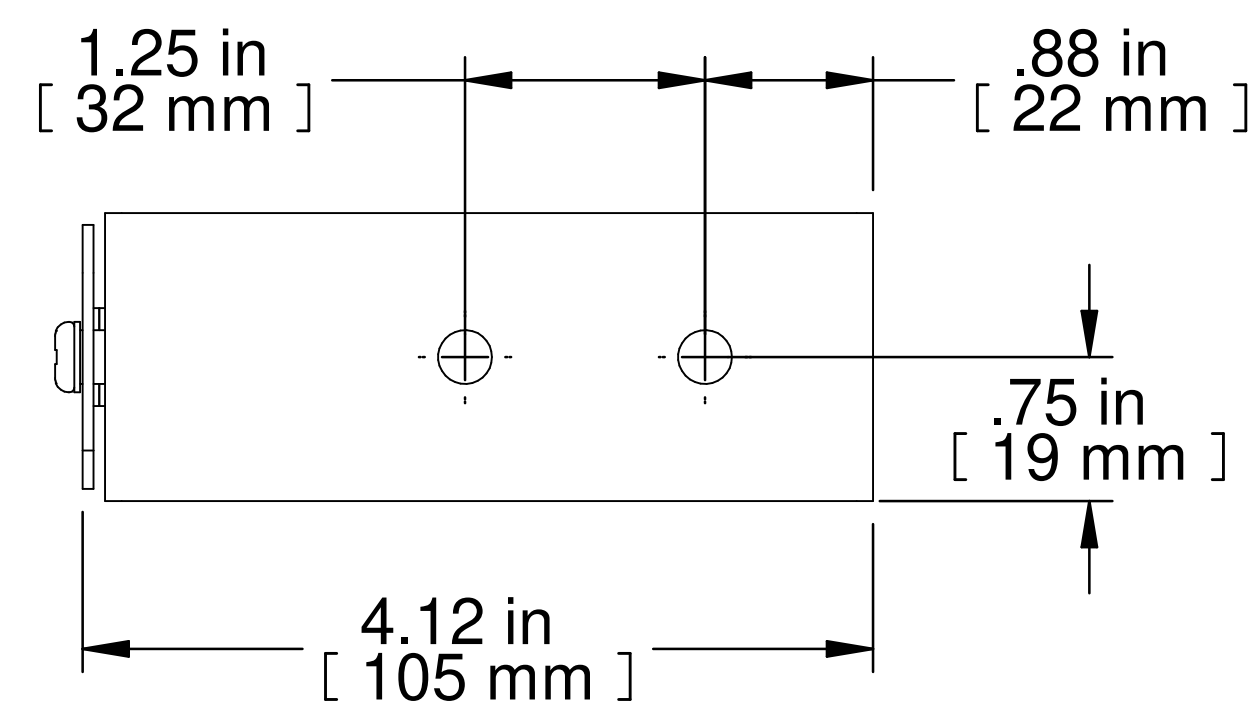
TOP VIEW



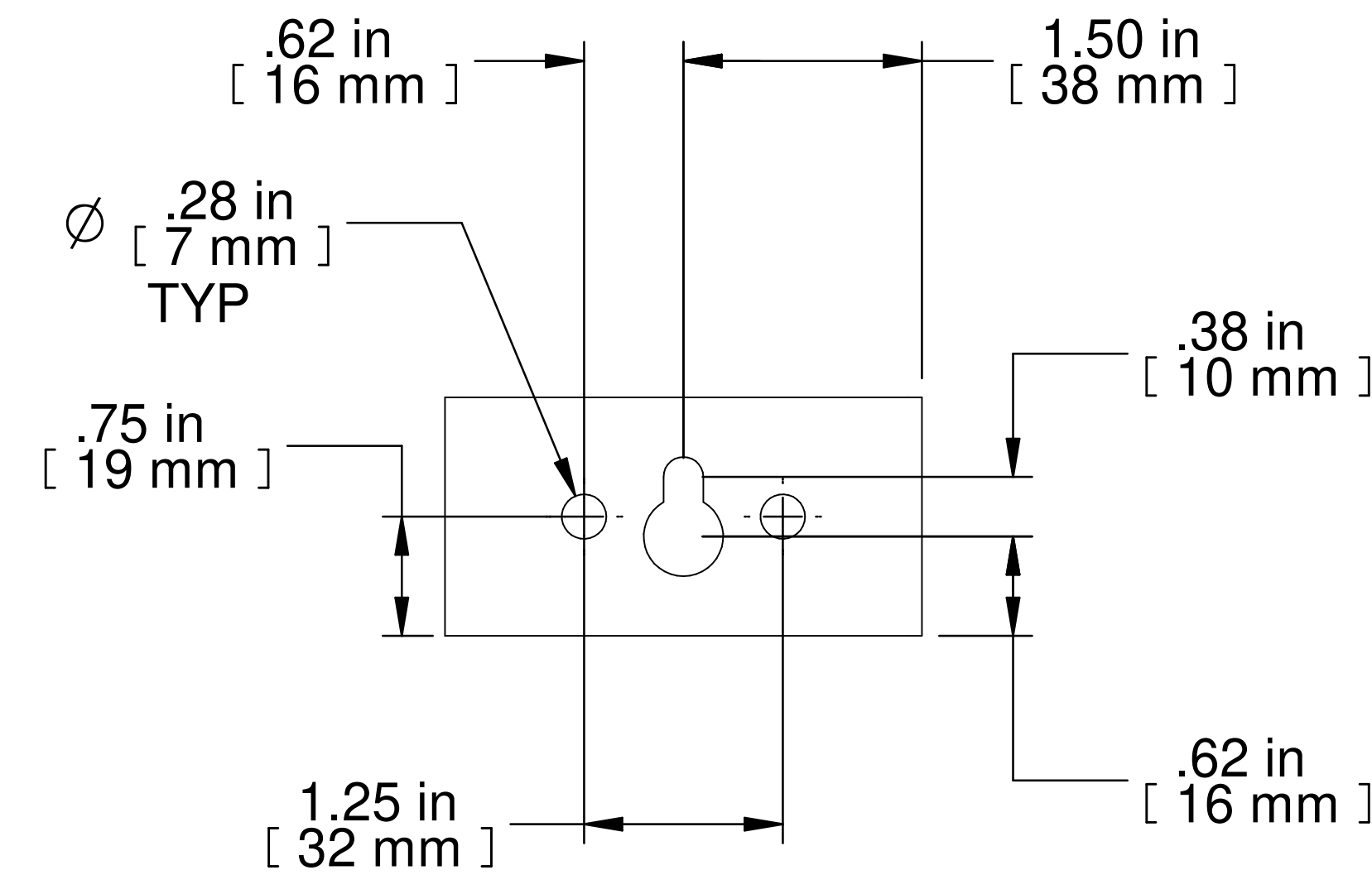
ISOMETRIC



FRONT VIEW



R.S. VIEW



REAR VIEW

Item Number	Title	Quantity
1	CABLE MGMT RING - BODY WELD	1
2	CABLE MGMT RING - COVER	1
3	WASHER NYLON .031THK .317 DIA I/S	2
4	SCREW 10-32 X 5/8"	2

PART NUMBERS

CMRC34BK1 PAINTED BLACK TEXTURED

NOTES

Able to be Mounted Between Two Racks

Mounting Hardware Not Included

See Hammond Website for More Information

Français

Pour tous les détails sur nos produits, svp veuillez consulter notre site [www.hammondmfg.com](http://www.hammondmfg.com)

Data subject to change without notice. Isometric drawing not to scale. Les données sont sujettes à changement sans préavis.



[www.hammondmfg.com](http://www.hammondmfg.com)



PART NO.

CMRC34