



Chipsmall Limited consists of a professional team with an average of over 10 year of expertise in the distribution of electronic components. Based in Hongkong, we have already established firm and mutual-benefit business relationships with customers from,Europe,America and south Asia,supplying obsolete and hard-to-find components to meet their specific needs.

With the principle of “Quality Parts,Customers Priority,Honest Operation,and Considerate Service”,our business mainly focus on the distribution of electronic components. Line cards we deal with include Microchip,ALPS,ROHM,Xilinx,Pulse,ON,Everlight and Freescale. Main products comprise IC,Modules,Potentiometer,IC Socket,Relay,Connector.Our parts cover such applications as commercial,industrial, and automotives areas.

We are looking forward to setting up business relationship with you and hope to provide you with the best service and solution. Let us make a better world for our industry!



Contact us

Tel: +86-755-8981 8866 Fax: +86-755-8427 6832

Email & Skype: info@chipsmall.com Web: www.chipsmall.com

Address: A1208, Overseas Decoration Building, #122 Zhenhua RD., Futian, Shenzhen, China





MODEL: CMS0401KL-3X | **DESCRIPTION:** SPEAKER

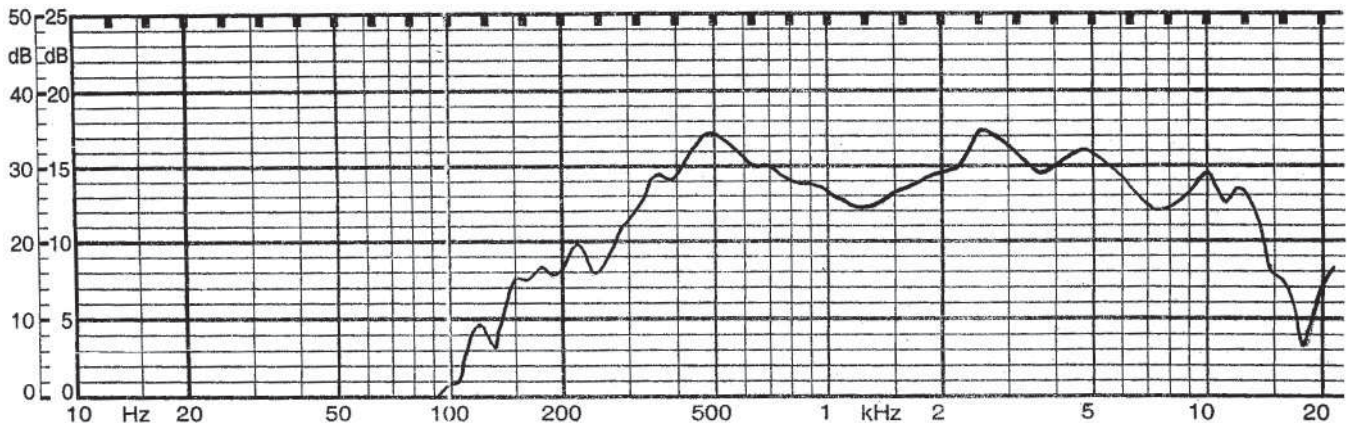


SPECIFICATIONS

| parameter | conditions/description | min | typ | max | units |
|----------------------|--|-----|------|--------|--------------|
| nominal size | 40.1 x 40.1 x 14.5H | | | | mm |
| impedance | at 1 kHz, 1 V | 6.8 | 8 | 9.2 | Ω |
| resonant frequency | at 1 V | 312 | 390 | 468 | Hz |
| sound pressure level | 1 W, 50 cm ave., at 0.6, 0.8, 1, 1.2 kHz | 84 | 87 | 90 | dB |
| response | 10 dB max. | Fo | | 20,000 | Hz |
| input power | | | 5 | 8 | W |
| operation | must be normal at program source | | 5 | | W |
| buzz, rattle, etc. | must be normal at sine wave | | 6.32 | | Vdc |
| magnet | size: 24.5 x 3.5 mm | | | | |
| load test | 24 hours of white noise at | | 5 | | W |
| heat test | 20 ~ 50% RH for 24 hours | 58 | 60 | 62 | $^{\circ}$ C |
| humidity test | 90 ~ 95% RH for 24 hours | 38 | 40 | 42 | $^{\circ}$ C |
| RoHS | yes | | | | |

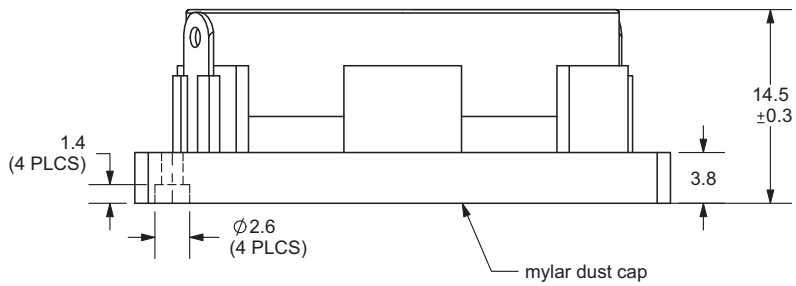
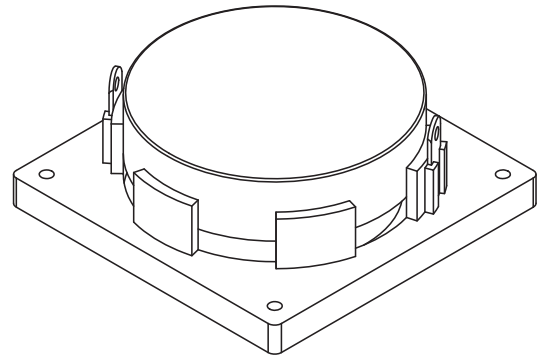
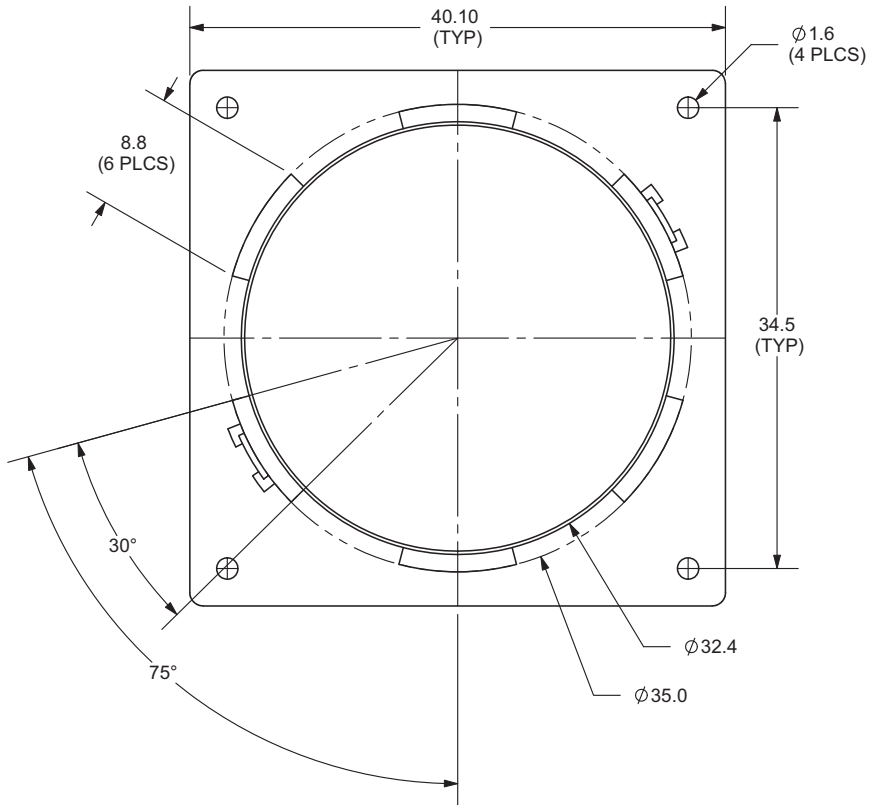
FREQUENCY RESPONSE CURVE

| parameter | conditions/description |
|-----------------------|------------------------|
| potentiometer range | 50 dB |
| rectifier | RMS |
| lower limit frequency | 20 Hz |
| wr. speed | 100 mm/sec |
| zero level | 60 dB |



MECHANICAL DRAWING

units: mm
tolerance: ± 0.2 mm



REVISION HISTORY

| rev. | description | date |
|------|--|------------|
| 1.0 | initial release | 08/06/2008 |
| 1.01 | new template applied, base thickness changed from 3.0 to 3.8 mm | 02/24/2010 |
| 1.02 | new template applied, dust cap changed to mylar, updated resonant frequency and S.P.L. | 06/14/2012 |

The revision history provided is for informational purposes only and is believed to be accurate.



Headquarters
20050 SW 112th Ave.
Tualatin, OR 97062
800.275.4899

Fax 503.612.2383
cui.com
techsupport@cui.com

CUI offers a one (1) year limited warranty. Complete warranty information is listed on our website.

CUI reserves the right to make changes to the product at any time without notice. Information provided by CUI is believed to be accurate and reliable. However, no responsibility is assumed by CUI for its use, nor for any infringements of patents or other rights of third parties which may result from its use.

CUI products are not authorized or warranted for use as critical components in equipment that requires an extremely high level of reliability. A critical component is any component of a life support device or system whose failure to perform can be reasonably expected to cause the failure of the life support device or system, or to affect its safety or effectiveness.