



Chipsmall Limited consists of a professional team with an average of over 10 year of expertise in the distribution of electronic components. Based in Hongkong, we have already established firm and mutual-benefit business relationships with customers from,Europe,America and south Asia,supplying obsolete and hard-to-find components to meet their specific needs.

With the principle of “Quality Parts,Customers Priority,Honest Operation,and Considerate Service”,our business mainly focus on the distribution of electronic components. Line cards we deal with include Microchip,ALPS,ROHM,Xilinx,Pulse,ON,Everlight and Freescale. Main products comprise IC,Modules,Potentiometer,IC Socket,Relay,Connector.Our parts cover such applications as commercial,industrial, and automotives areas.

We are looking forward to setting up business relationship with you and hope to provide you with the best service and solution. Let us make a better world for our industry!



Contact us

Tel: +86-755-8981 8866 Fax: +86-755-8427 6832

Email & Skype: info@chipsmall.com Web: www.chipsmall.com

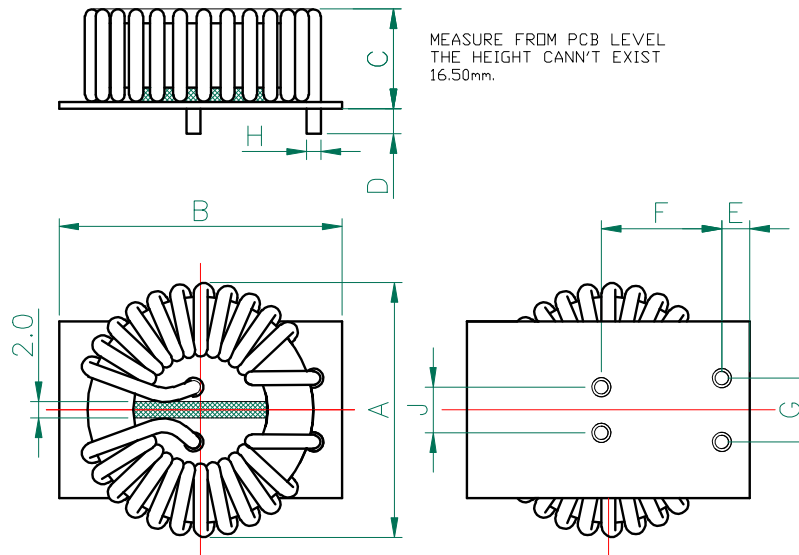
Address: A1208, Overseas Decoration Building, #122 Zhenhua RD., Futian, Shenzhen, China



CMX1616Z701B-10

PHYSICAL DIMENSIONS:

A	40.00		MAX
B	40.00		MAX
C	16.50		MAX
D	3.50	+	0.50
E	3.50	+	0.50
F	22.00	+	0.50
G	15.50	+	0.50
H	∅2.00	+	0.50
J	∅5.00	+	0.50



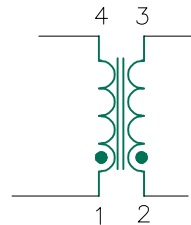
ELECTRICAL CHARACTERISTICS		NOM	MIN	MAX
INDUCTANCE @ 100kHz/0.1V	uH	704	422	951
DCR	mΩ	----	----	2.3
CURRENT RATING	A	----	----	33
RATING VOLTAGE	Vrms	----	----	250

HIPOT COIL-COIL: 1500V

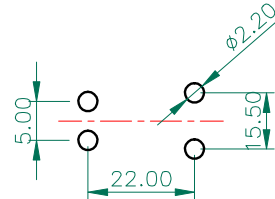
NOTE: UNLESS OTHERWISE SPECIFIED

1. FERRITE CORE: T33x18x7.3, MNZN;
2. TIN: LEAD-FREE SOLDER BAR;
3. ISOLATE 2 COILS BY EPOXY.
4. OPERATING TEMPERATURE RANGE: -40°C TO+105°C (INCLUDING SELF-HEATING).

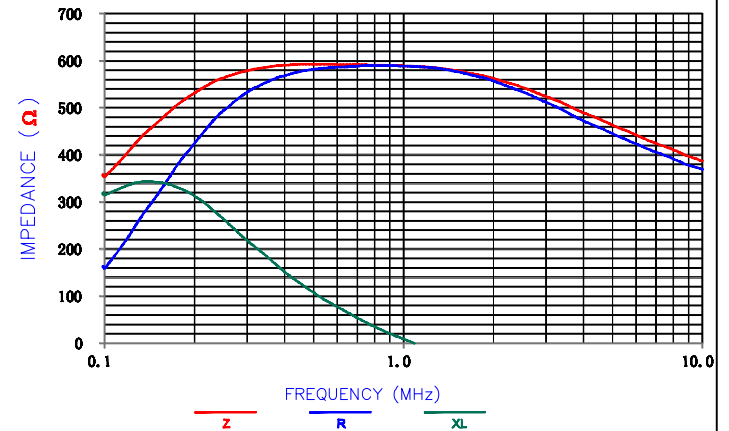
EQUIVALENT CIRCUIT



LAND PATTERN



Z, R, XL vs. FREQUENCY



UNCONTROLLED DOCUMENT



DIMENSIONS ARE IN mm.				This print is the property of Laird Tech. and is loaned in confidence subject to return upon request and with the understanding that no copies shall be made without the written consent of Laird Tech. All rights to design or invention are reserved.				Laird	
				PROJECT/PART NUMBER: CMX1616Z701B-10		REV A	PART TYPE:	DRAWN BY: QIU	
				DATE: 07/04/13		SCALE: NTS		SHEET: 1 of 1	
A	ORIGINAL DRAFT	07/04/13	QIU	CAD #		TOOL #		CMX1616Z701B-10-A	
REV	DESCRIPTION	DATE	INT						