



Chipsmall Limited consists of a professional team with an average of over 10 year of expertise in the distribution of electronic components. Based in Hongkong, we have already established firm and mutual-benefit business relationships with customers from,Europe,America and south Asia,supplying obsolete and hard-to-find components to meet their specific needs.

With the principle of "Quality Parts,Customers Priority,Honest Operation,and Considerate Service",our business mainly focus on the distribution of electronic components. Line cards we deal with include Microchip,ALPS,ROHM,Xilinx,Pulse,ON,Everlight and Freescale. Main products comprise IC,Modules,Potentiometer,IC Socket,Relay,Connector.Our parts cover such applications as commercial,industrial, and automotives areas.

We are looking forward to setting up business relationship with you and hope to provide you with the best service and solution. Let us make a better world for our industry!



## Contact us

Tel: +86-755-8981 8866 Fax: +86-755-8427 6832

Email & Skype: info@chipsmall.com Web: www.chipsmall.com

Address: A1208, Overseas Decoration Building, #122 Zhenhua RD., Futian, Shenzhen, China

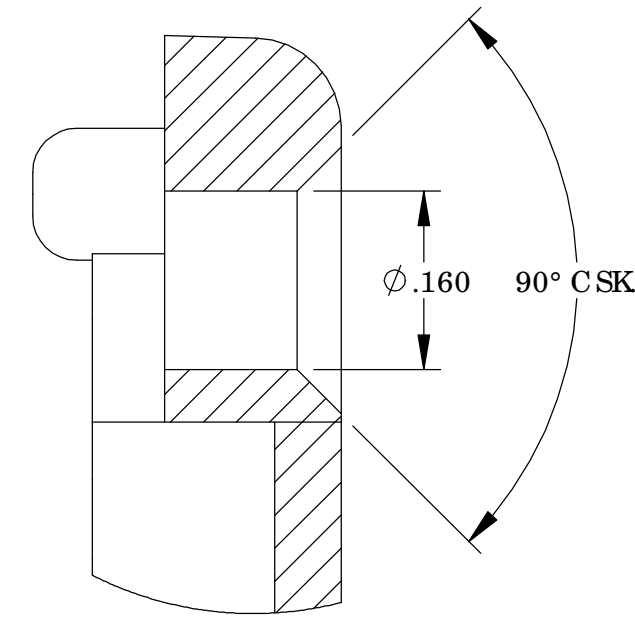
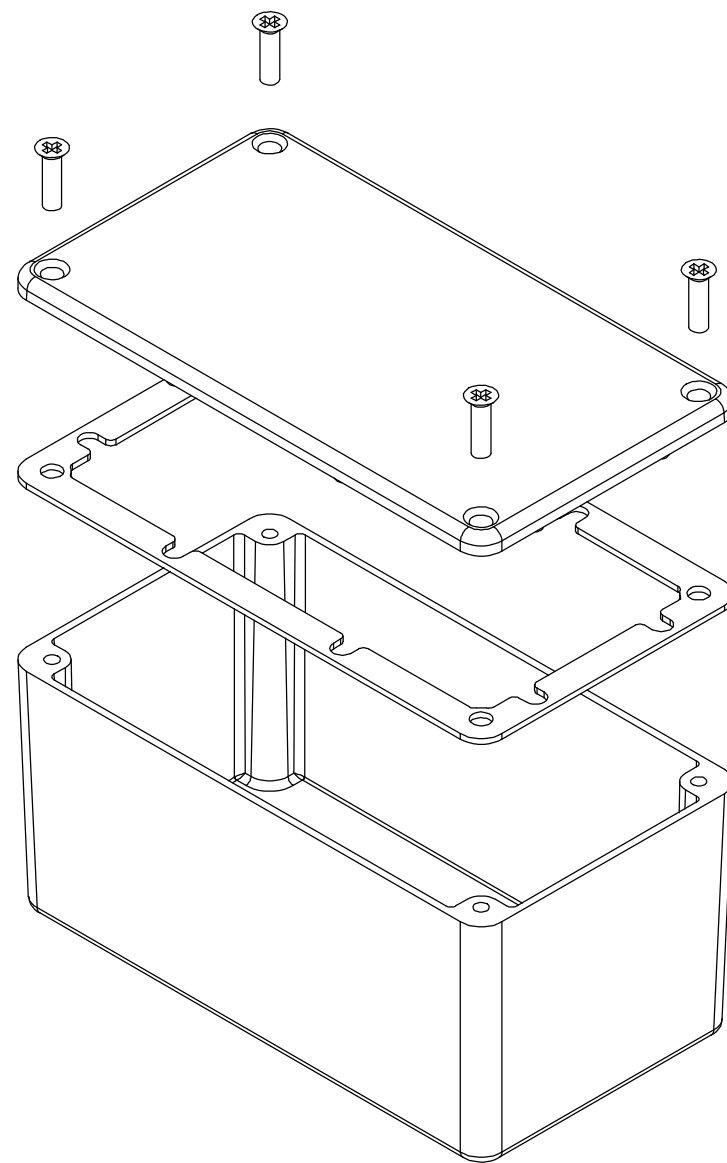


THE INFORMATION CONTAINED IN THIS DRAWING IS THE SOLE PROPERTY OF BUD INDUSTRIES INC. ANY REPRODUCTION IN PART OR WHOLE WITHOUT THE WRITTEN PERMISSION OF BUD INDUSTRIES INC. IS PROHIBITED.

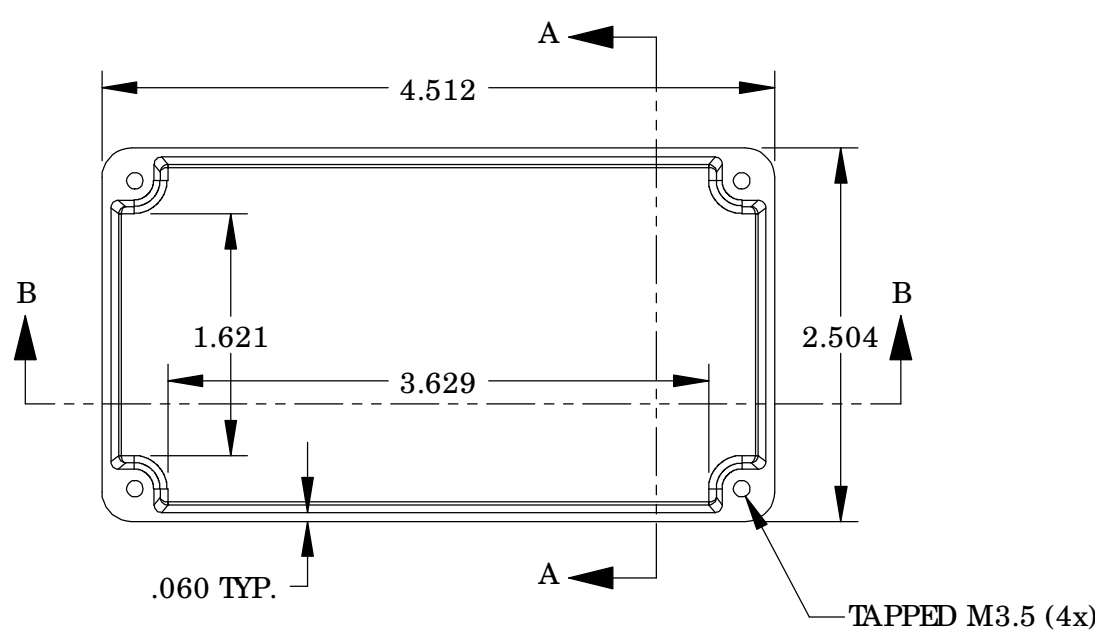
DWG. NO.	CN-5704
ISSUE	REVISIONS

MATERIAL - ALUMINUM ALLOY # ADC-12  
 FINISH - NATURAL (CONTACT BUD FACTORY FOR ALTERNATE FINISHES)  
 GASKET - RATED IP65 NEO PRENE, SELF-ADHESIVE, 3mm THICK, COLOR BLACK  
 SCREWS - STAINLESS STEEL, M3.5 x 12mm LG., C SK HEAD, SELF-THREADING

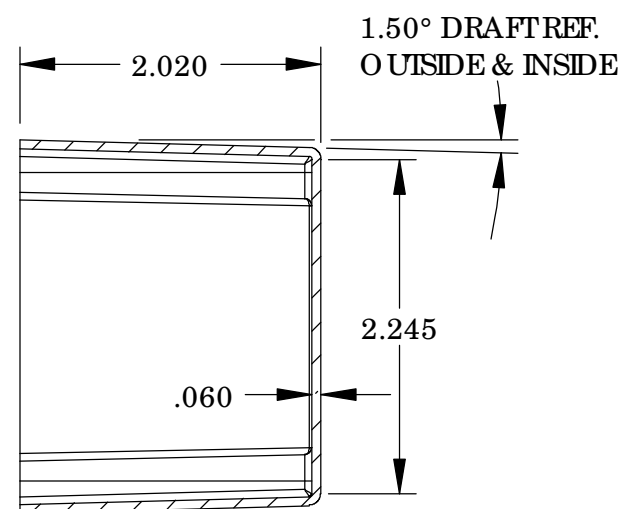
ALL HOLE DIAMETERS HAVE ±.005 TOLERANCE  
 ALL OTHER DIMENSIONS HAVE ±.015 TOLERANCE  
 ENCLOSURES ARE SHIPPED UNASSEMBLED WITH ALL ITEMS SHOWN.



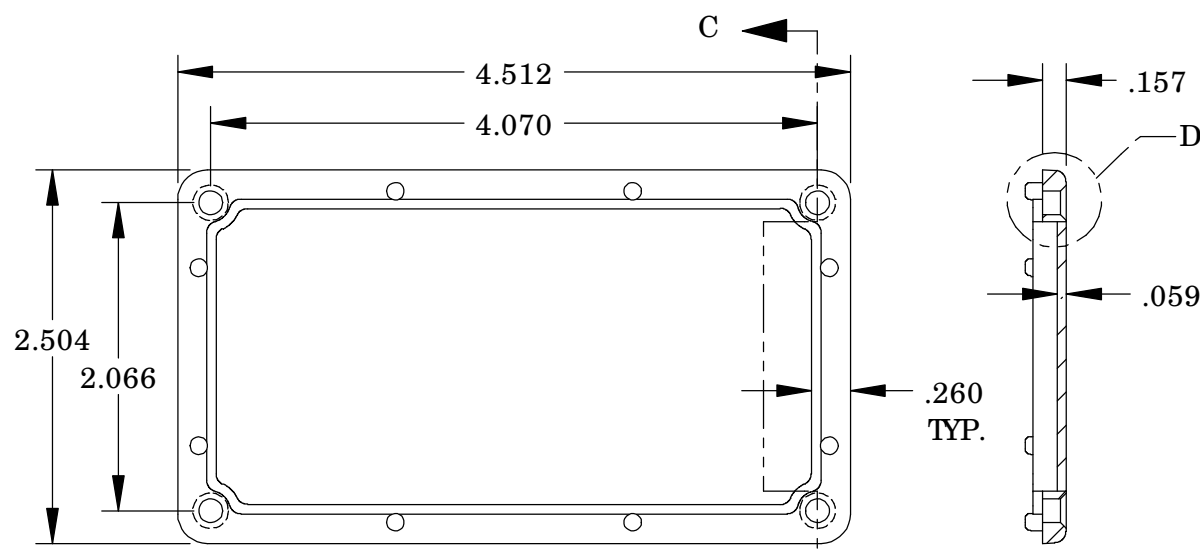
DETAIL D  
SCALE 6:1



BODY

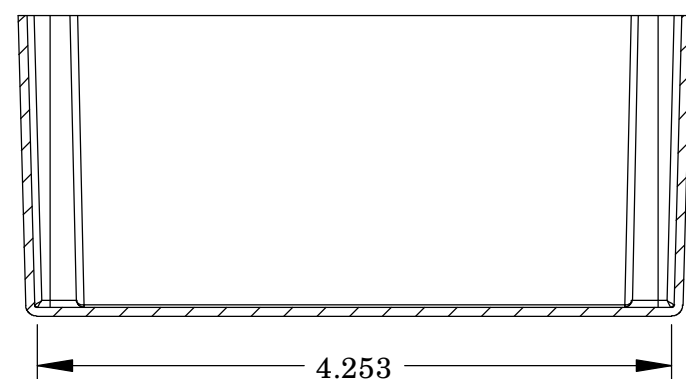
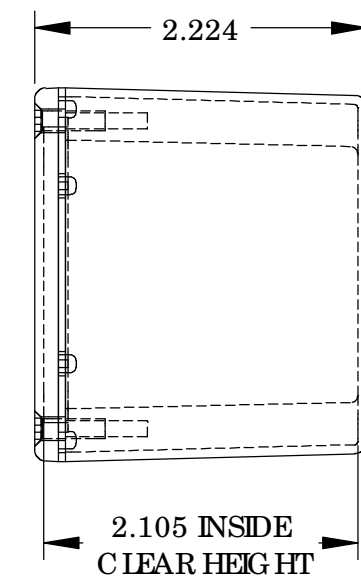


SECTION A-A



COVER

SECTION C-C



SECTION B-B

PARTS LIST		CAD GENERATED DRAWING, DO NOT MANUALLY UPDATE	BUD INDUSTRIES INC.	
APPROVALS	DATE		DIE CAST ALUMINUM ENCLOSURE	
DRAWN	DAB	3-31-06		
CHECKED				
FINISH	AS NOTED			
	AS NOTED			
QTY.	USED ON	DO NOT SCALE DRAWING	SIZE C	DWG. NO. CN-5704
			SCALE	CAD FILE
				SHEET 1 OF 1