



Chipsmall Limited consists of a professional team with an average of over 10 year of expertise in the distribution of electronic components. Based in Hongkong, we have already established firm and mutual-benefit business relationships with customers from,Europe,America and south Asia,supplying obsolete and hard-to-find components to meet their specific needs.

With the principle of “Quality Parts,Customers Priority,Honest Operation,and Considerate Service”,our business mainly focus on the distribution of electronic components. Line cards we deal with include Microchip,ALPS,ROHM,Xilinx,Pulse,ON,Everlight and Freescale. Main products comprise IC,Modules,Potentiometer,IC Socket,Relay,Connector.Our parts cover such applications as commercial,industrial, and automotives areas.

We are looking forward to setting up business relationship with you and hope to provide you with the best service and solution. Let us make a better world for our industry!



Contact us

Tel: +86-755-8981 8866 Fax: +86-755-8427 6832

Email & Skype: info@chipsmall.com Web: www.chipsmall.com

Address: A1208, Overseas Decoration Building, #122 Zhenhua RD., Futian, Shenzhen, China



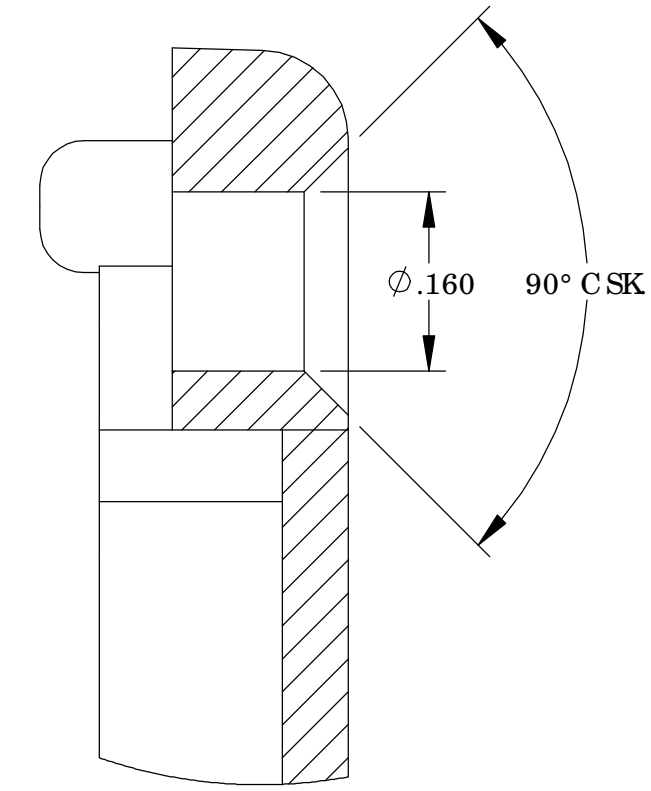
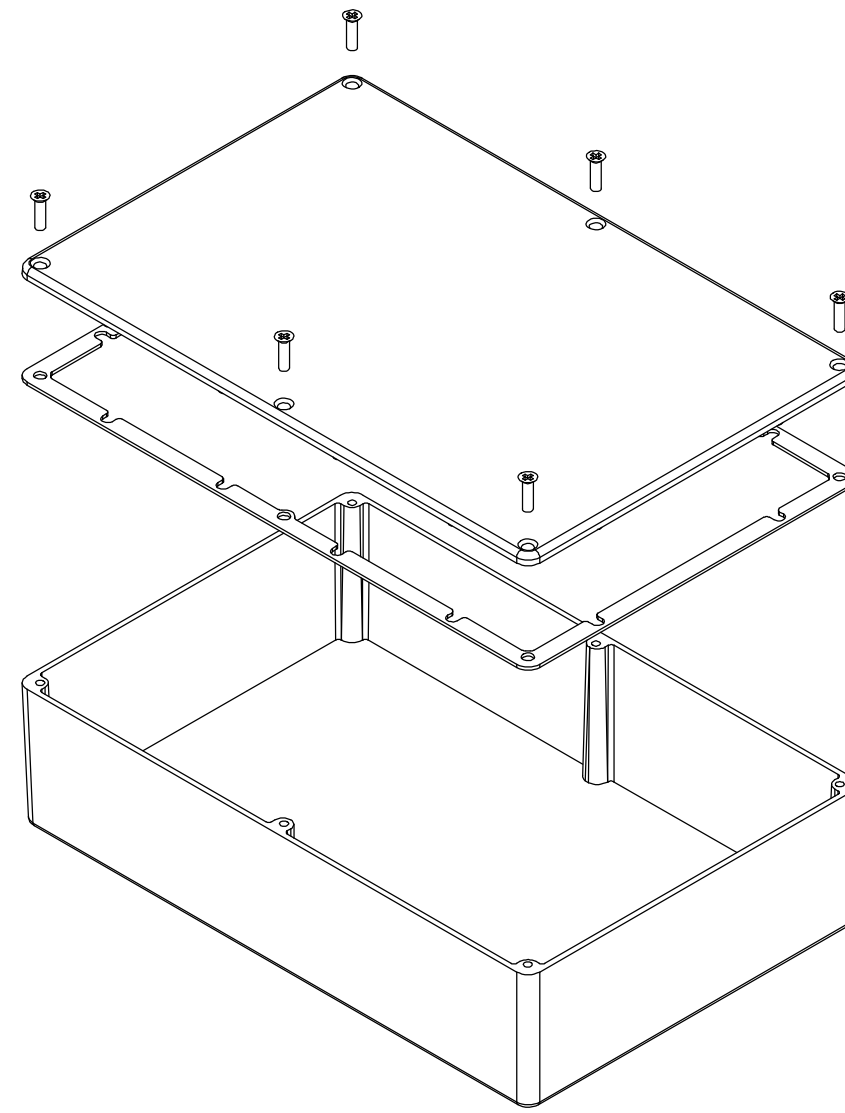
THE INFORMATION CONTAINED IN THIS DRAWING IS THE SOLE PROPERTY OF BUD INDUSTRIES INC. ANY REPRODUCTION IN PART OR WHOLE WITHOUT THE WRITTEN PERMISSION OF BUD INDUSTRIES INC. IS PROHIBITED.

DWG. NO. CN-5711

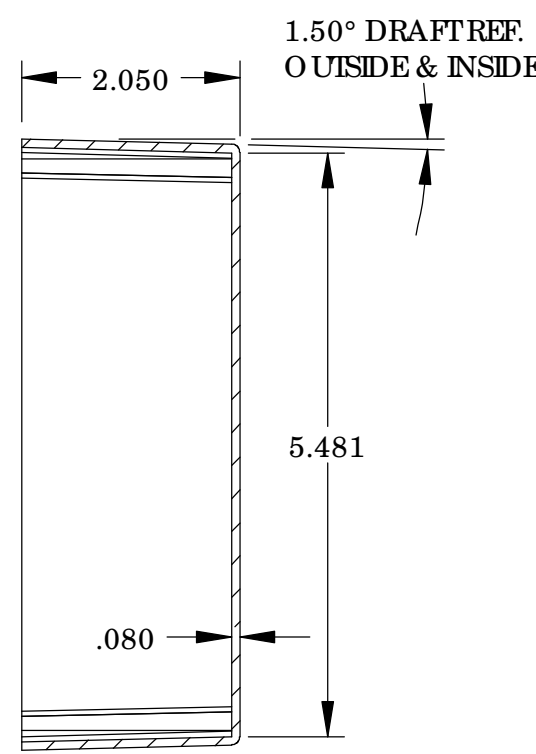
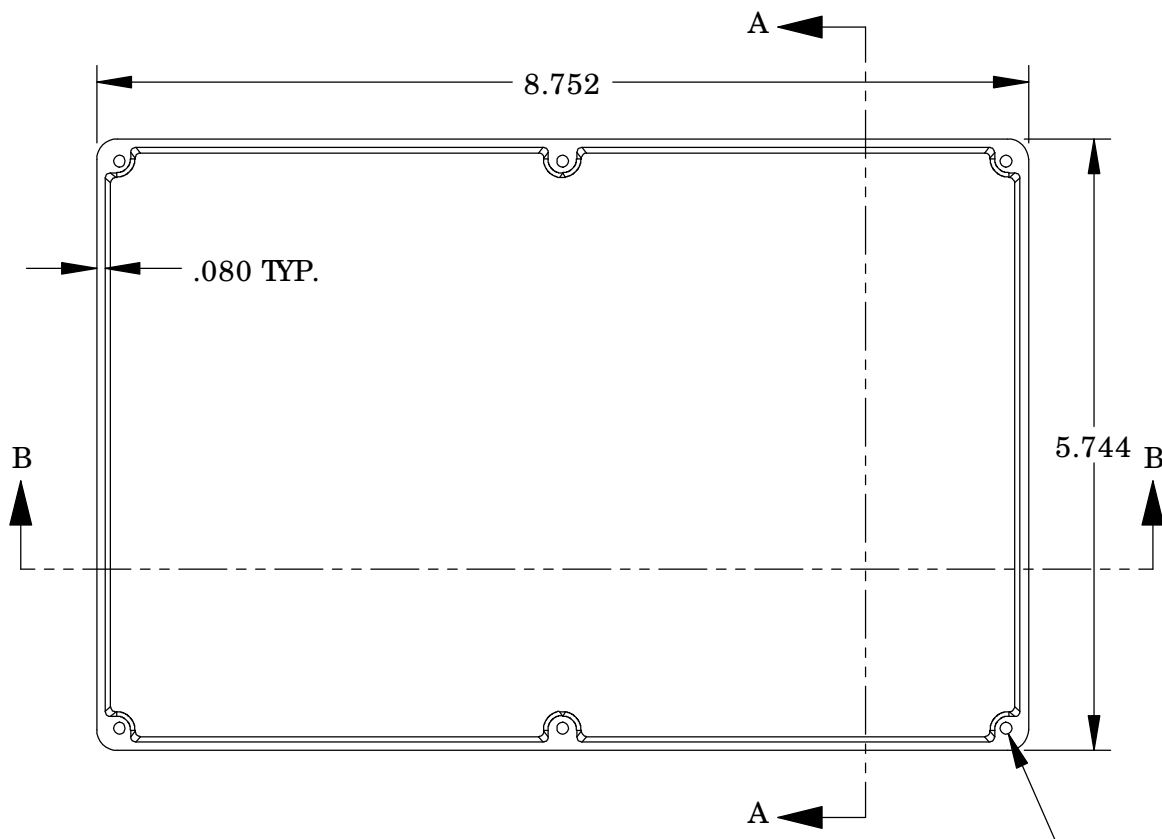
ISSUE	REVISIONS

MATERIAL - ALUMINUM ALLOY # ADC-12
 FINISH - NATURAL (CONTACT BUD FACTORY FOR ALTERNATE FINISHES)
 GASKET - RATED IP65 NEO PRENE, SELF-ADHESIVE, 3mm THICK, COLOR BLACK
 SCREWS - STAINLESS STEEL, M3.5 x 12mm LG., C SK HEAD, SELF-THREADING

ALL HOLE DIAMETERS HAVE ±.005 TOLERANCE
 ALL OTHER DIMENSIONS HAVE ±.015 TOLERANCE
 ENCLOSURES ARE SHIPPED UNASSEMBLED WITH ALL ITEMS SHOWN.



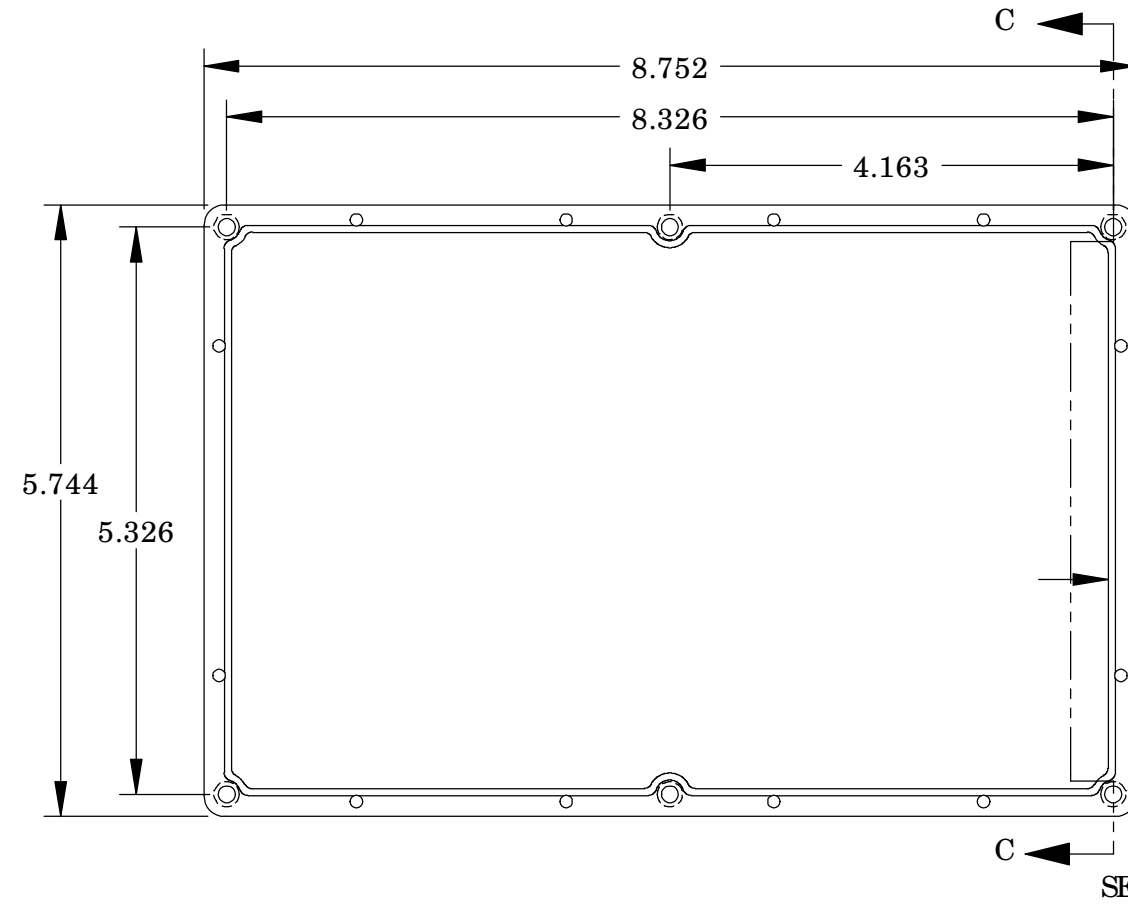
DETAIL D
 SCALE 6:1



SECTION A-A

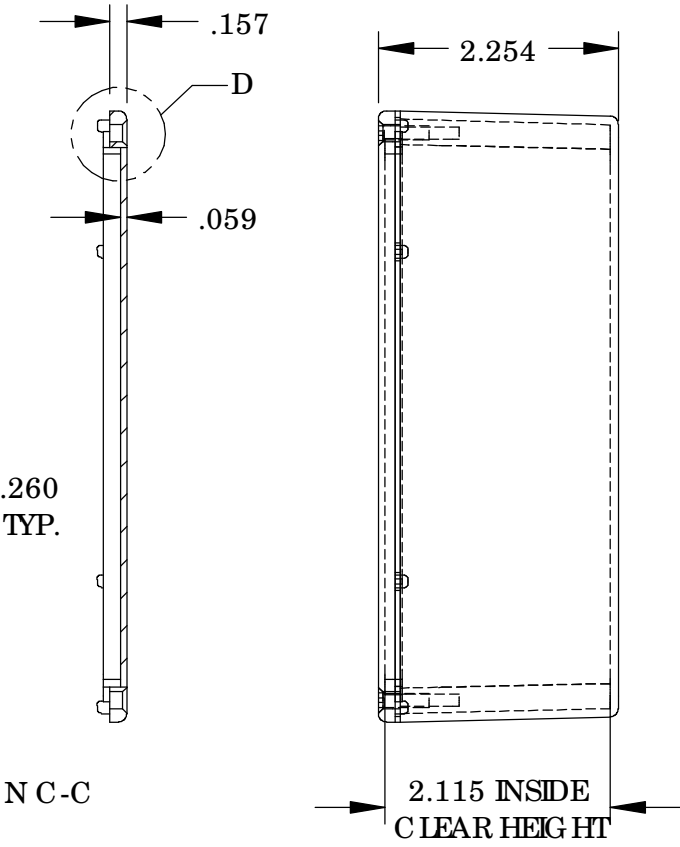
TAPPED M3.5 (6x)

BODY

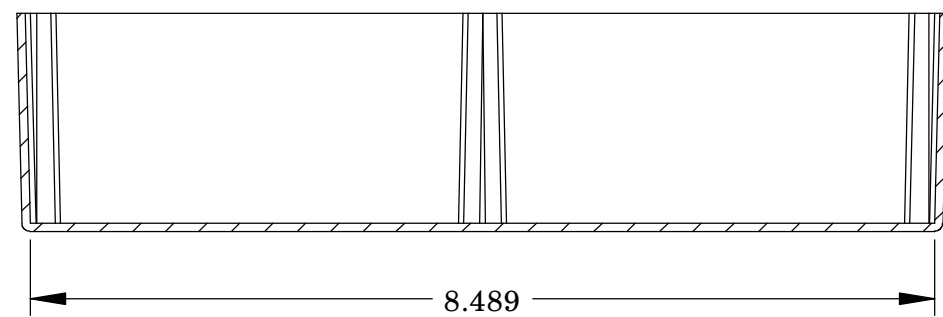


SECTION C-C

COVER



2.115 INSIDE CLEAR HEIGHT



SECTION B-B

PARTS LIST		BUD INDUSTRIES INC.									
±.005 BETWEEN HOLE CENTERS	CAD GENERATED DRAWING, DO NOT MANUALLY UPDATE	<table border="1"> <tr> <th>APPROVALS</th> <th>DATE</th> </tr> <tr> <td>DRAWN: DAB</td> <td>3-31-06</td> </tr> <tr> <td>CHECKED:</td> <td></td> </tr> <tr> <td>APPROVED:</td> <td></td> </tr> </table>		APPROVALS	DATE	DRAWN: DAB	3-31-06	CHECKED:		APPROVED:	
APPROVALS	DATE										
DRAWN: DAB	3-31-06										
CHECKED:											
APPROVED:											
±.015 FROM SHEARED EDGE		<p>DIE CAST ALUMINUM ENCLOSURE</p>									
±.032 FROM A BENT SURFACE		SIZE: C	DWG. NO. CN-5711								
±.062 BETWEEN ASSEMBLED SURFACES		SCALE:	SHEET 1 OF 1								
UNLESS OTHERWISE SPECIFIED											
MATERIAL: AS NOTED											
FINISH: AS NOTED											
QTY.	USED ON	DO NOT SCALE DRAWING									