



Chipsmall Limited consists of a professional team with an average of over 10 year of expertise in the distribution of electronic components. Based in Hongkong, we have already established firm and mutual-benefit business relationships with customers from,Europe,America and south Asia,supplying obsolete and hard-to-find components to meet their specific needs.

With the principle of “Quality Parts,Customers Priority,Honest Operation,and Considerate Service”,our business mainly focus on the distribution of electronic components. Line cards we deal with include Microchip,ALPS,ROHM,Xilinx,Pulse,ON,Everlight and Freescale. Main products comprise IC,Modules,Potentiometer,IC Socket,Relay,Connector.Our parts cover such applications as commercial,industrial, and automotives areas.

We are looking forward to setting up business relationship with you and hope to provide you with the best service and solution. Let us make a better world for our industry!



Contact us

Tel: +86-755-8981 8866 Fax: +86-755-8427 6832

Email & Skype: info@chipsmall.com Web: www.chipsmall.com

Address: A1208, Overseas Decoration Building, #122 Zhenhua RD., Futian, Shenzhen, China

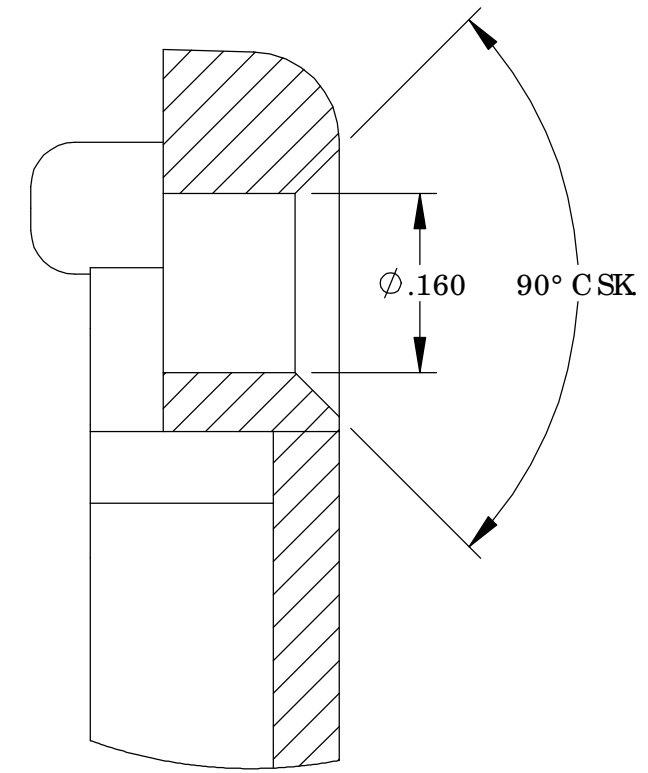
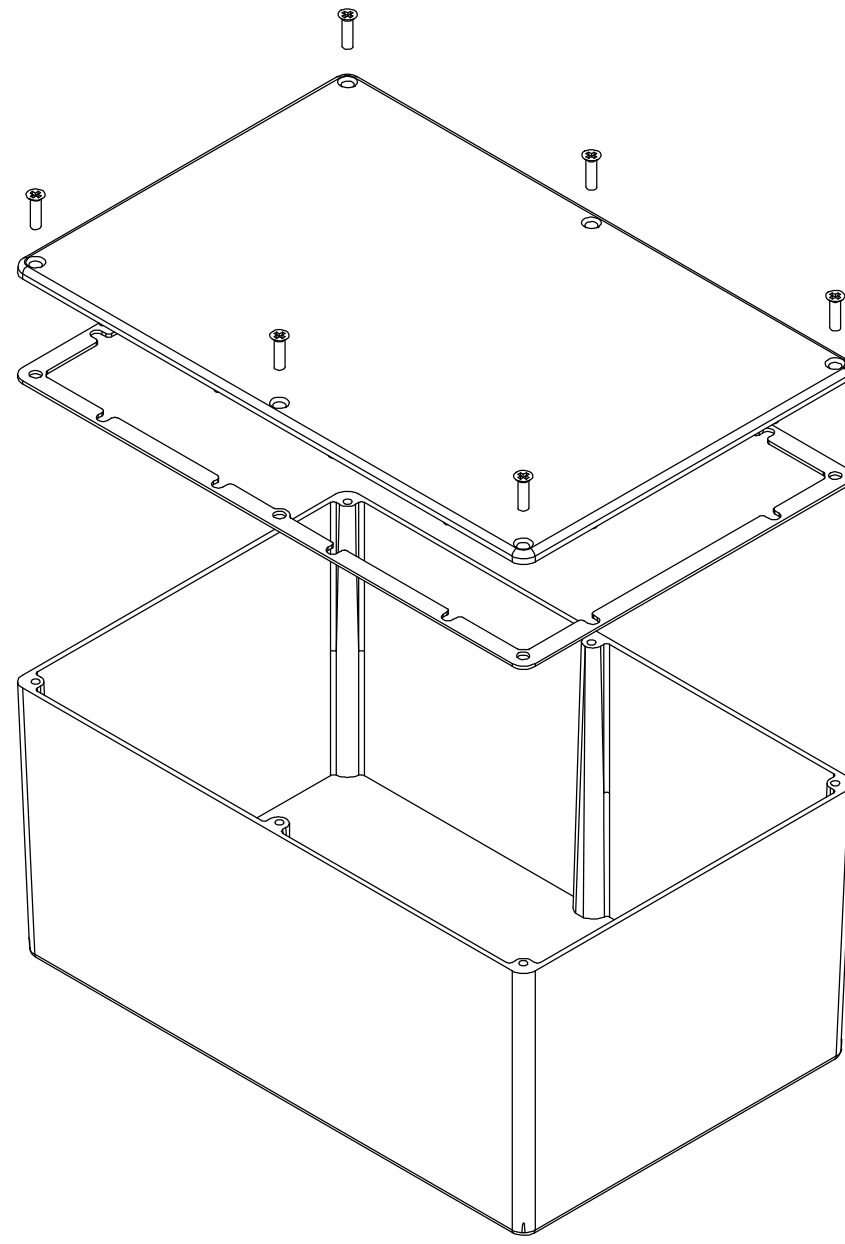


THE INFORMATION CONTAINED IN THIS DRAWING IS THE SOLE PROPERTY OF BUD INDUSTRIES INC. ANY REPRODUCTION IN PART OR WHOLE WITHOUT THE WRITTEN PERMISSION OF BUD INDUSTRIES INC. IS PROHIBITED.

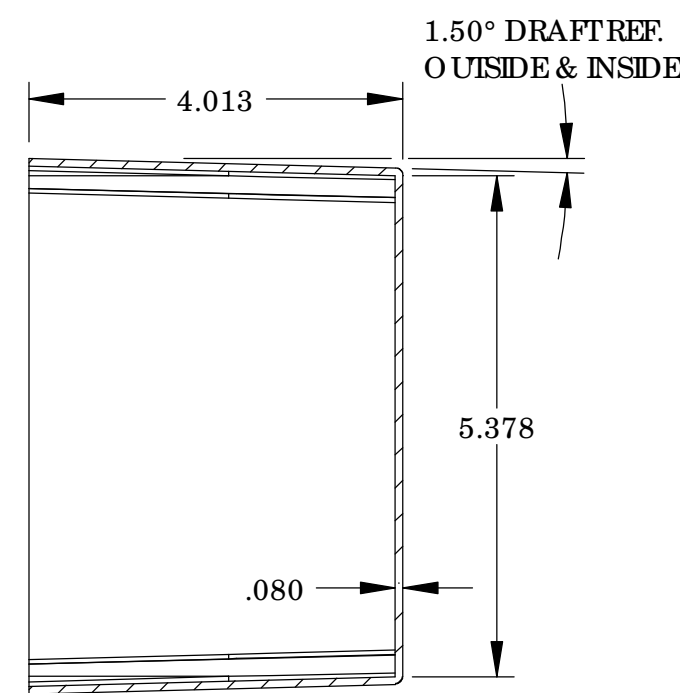
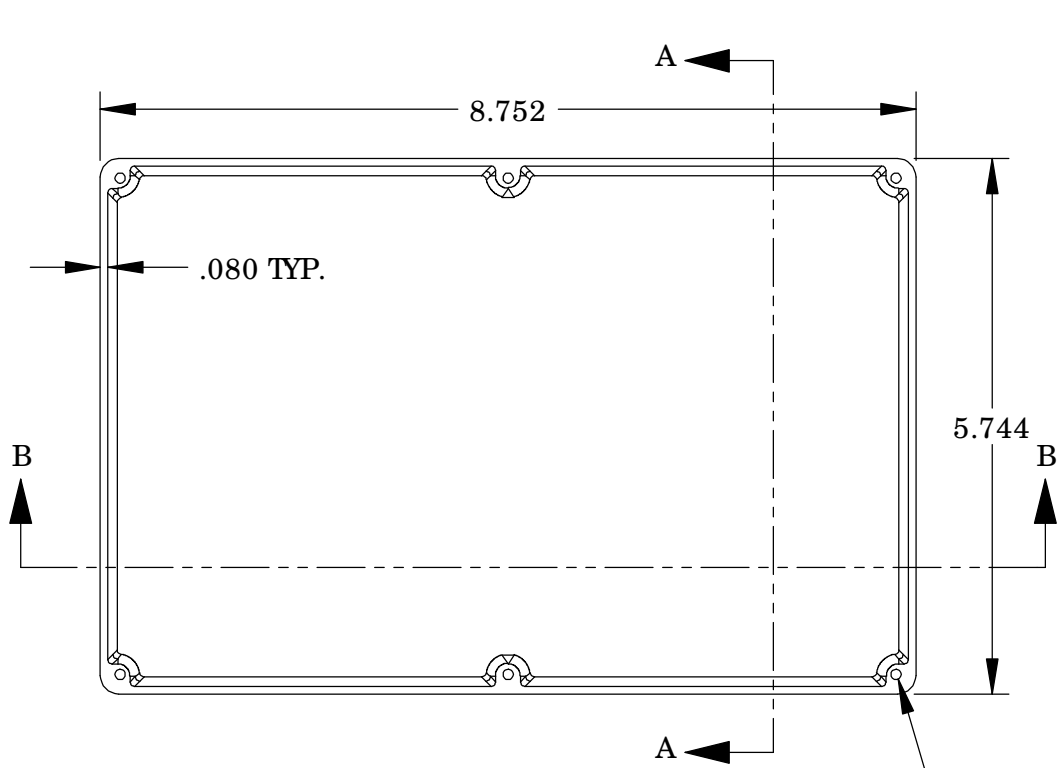
DWG. NO.	CN-5712
ISSUE	REVISIONS

MATERIAL- ALUMINUM ALLOY # ADC-12
 FINISH - NATURAL (CONTACT BUD FACTORY FOR ALTERNATE FINISHES)
 GASKET- RATED IP65 NEO PRENE, SELF-ADHESIVE, 3mm THICK, COLOR BLACK
 SCREWS - STAINLESS STEEL, M3.5 x 12mm LG., C/SK HEAD, SELF-THREADING

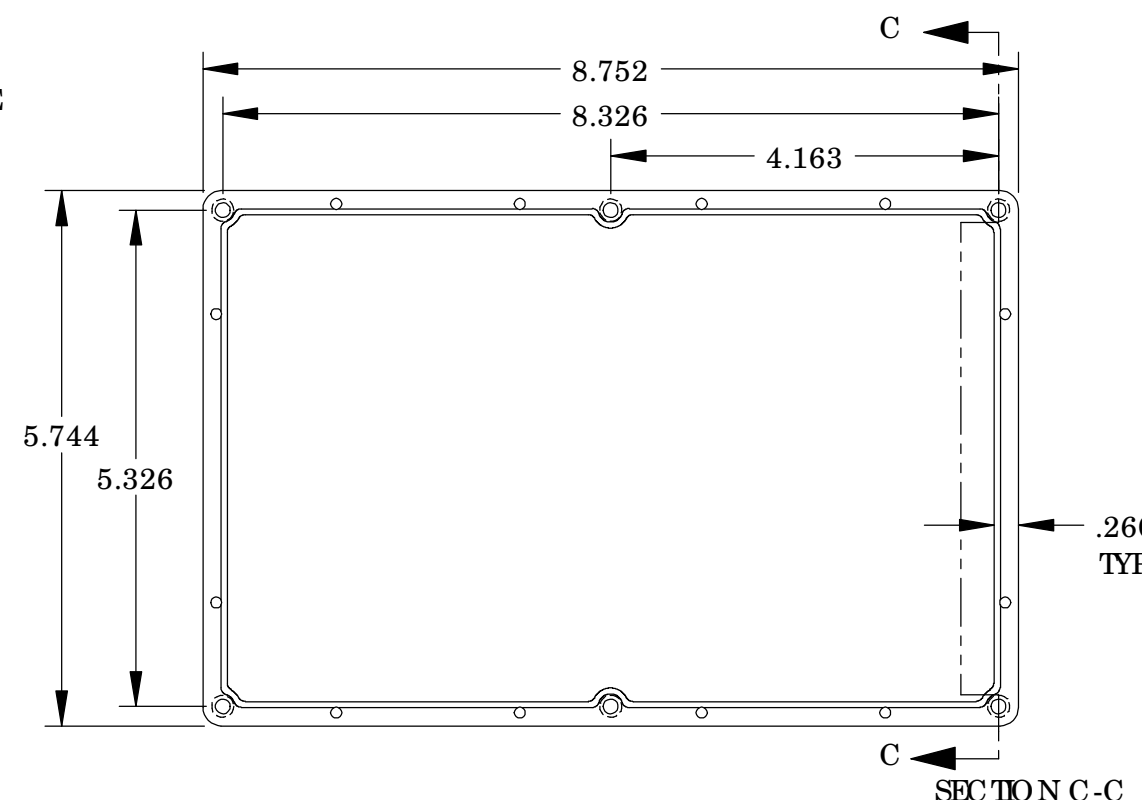
ALL HOLE DIAMETERS HAVE $\pm .005$ TOLERANCE
 ALL OTHER DIMENSIONS HAVE $\pm .015$ TOLERANCE
 ENCLOSURES ARE SHIPPED UNASSEMBLED WITH ALL ITEMS SHOWN.



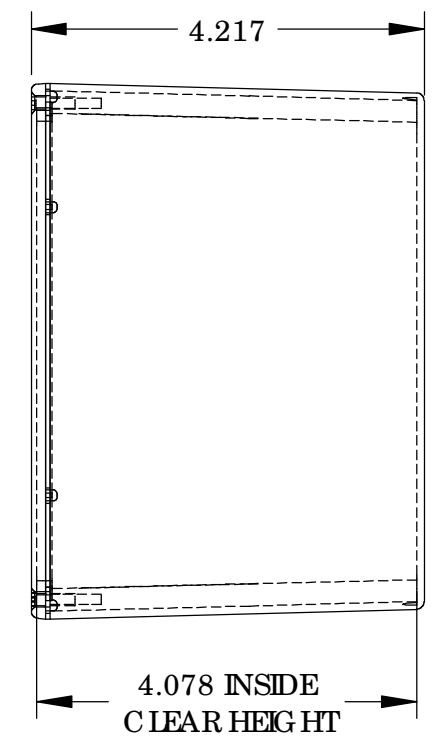
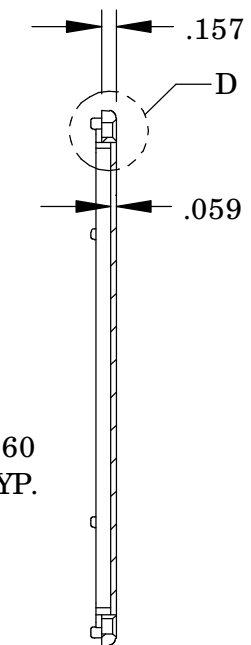
DETAIL D
 SCALE 6 : 1



SECTION A-A

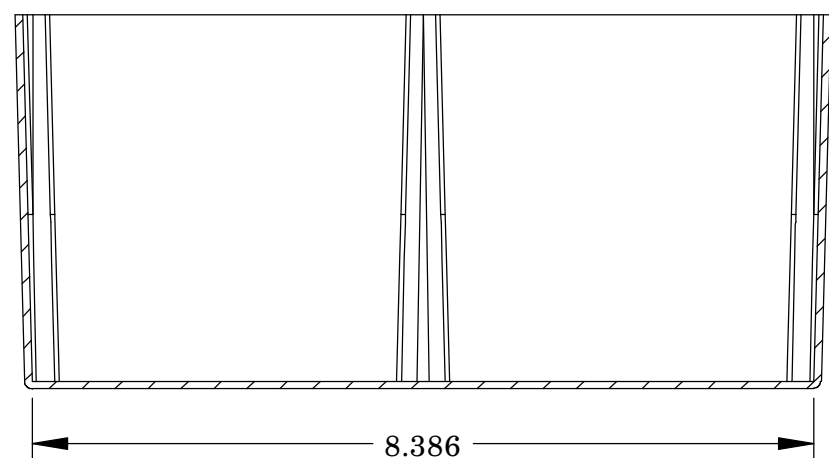


SECTION C-C



BODY

COVER



SECTION B-B

PARTS LIST			
+/- .005 BETWEEN HOLE CENTERS +/- .015 FROM SHEARED EDGE +/- .032 FROM A BENT SURFACE +/- .062 BETWEEN ASSEMBLED SURFACES UNLESS OTHERWISE SPECIFIED MATERIAL FINISH	CAD GENERATED DRAWING. DO NOT MANUALLY UPDATE APPROVALS DRAWN: DAB CHECKED: APPROVED:	DATE 3-31-06	BUD INDUSTRIES INC. DIE CAST ALUMINUM ENCLOSURE
AS NOTED AS NOTED	APPROVED:	DWG. NO. CN-5712	REV.
QTY.	USED ON	DO NOT SCALE DRAWING	SCALE CAD FILE SUBSET 1 OF 1