



Chipsmall Limited consists of a professional team with an average of over 10 year of expertise in the distribution of electronic components. Based in Hongkong, we have already established firm and mutual-benefit business relationships with customers from,Europe,America and south Asia,supplying obsolete and hard-to-find components to meet their specific needs.

With the principle of “Quality Parts,Customers Priority,Honest Operation,and Considerate Service”,our business mainly focus on the distribution of electronic components. Line cards we deal with include Microchip,ALPS,ROHM,Xilinx,Pulse,ON,Everlight and Freescale. Main products comprise IC,Modules,Potentiometer,IC Socket,Relay,Connector.Our parts cover such applications as commercial,industrial, and automotives areas.

We are looking forward to setting up business relationship with you and hope to provide you with the best service and solution. Let us make a better world for our industry!



Contact us

Tel: +86-755-8981 8866 Fax: +86-755-8427 6832

Email & Skype: info@chipsmall.com Web: www.chipsmall.com

Address: A1208, Overseas Decoration Building, #122 Zhenhua RD., Futian, Shenzhen, China

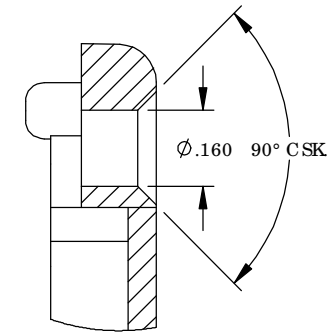


THE INFORMATION CONTAINED IN THIS DRAWING IS THE SOLE PROPERTY OF BUD INDUSTRIES INC. ANY REPRODUCTION IN PART OR WHOLE WITHOUT THE WRITTEN PERMISSION OF BUD INDUSTRIES INC. IS PROHIBITED.

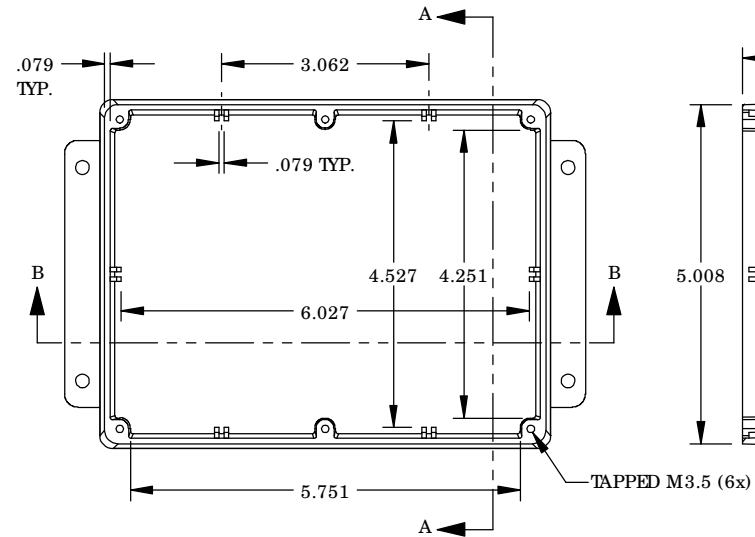
MATERIAL - ALUMINUM ALLOY # ADC-12
 FINISH - NATURAL (CONTACT BUD FACTORY FOR ALTERNATE FINISHES)
 GASKET - RATED IP65 NEOPRENE, SELF-ADHESIVE, 3mm THICK, COLOR BLACK
 SCREWS - STAINLESS STEEL, M3.5 x 12mm LG., C.SK HEAD, SELF-THREADING

ALL HOLE DIAMETERS HAVE ±.005 TOLERANCE
 ALL OTHER DIMENSIONS HAVE ±.015 TOLERANCE
 ENCLOSURES ARE SHIPPED UNASSEMBLED WITH ALL ITEMS SHOWN.

DRWG. NO.	CN-6708
ISSUE	REVISIONS

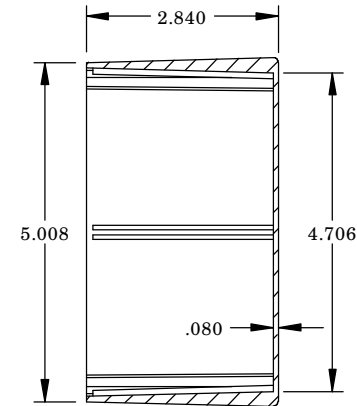


DETAIL D
SCALE 4 : 1

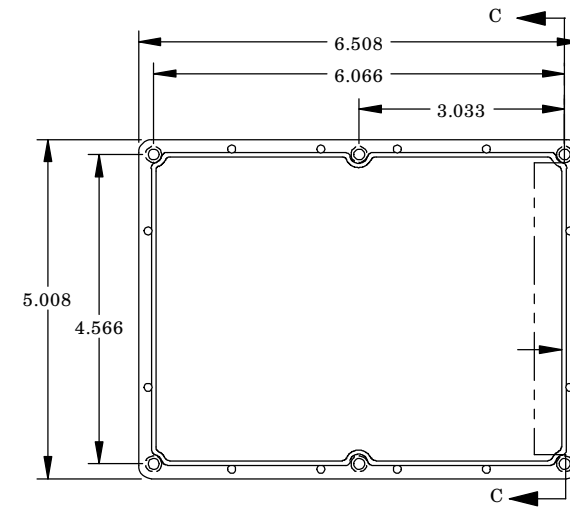


SECTION A-A

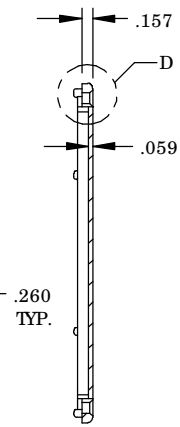
TAPPED M3.5 (6x)



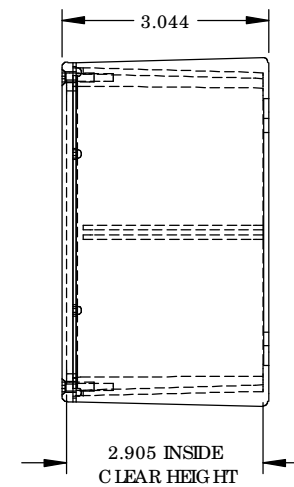
SECTION A-A



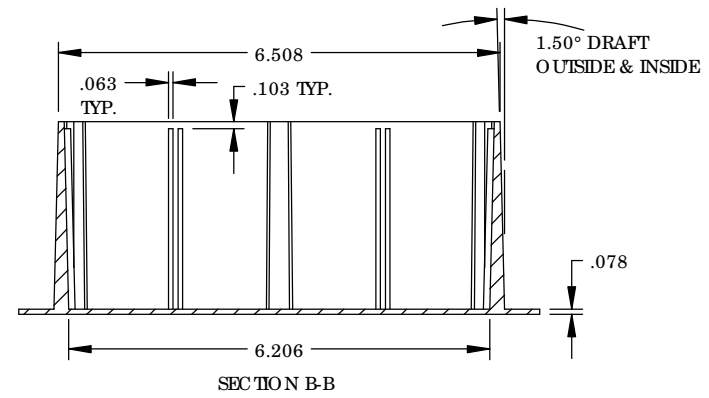
SECTION C-C



SECTION C-C



2.905 INSIDE CLEAR HEIGHT

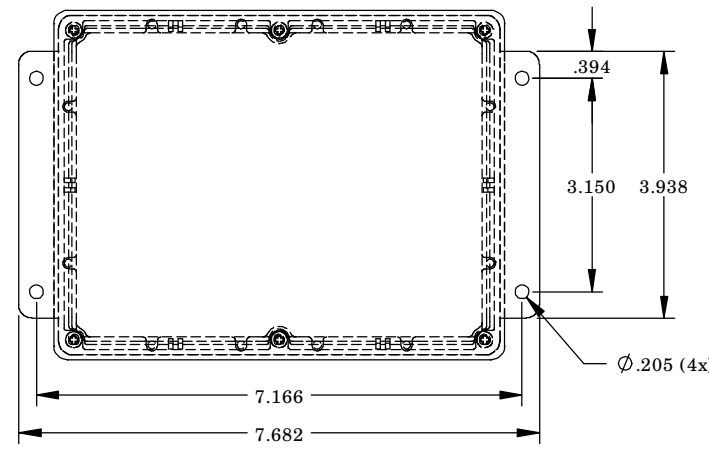


SECTION B-B

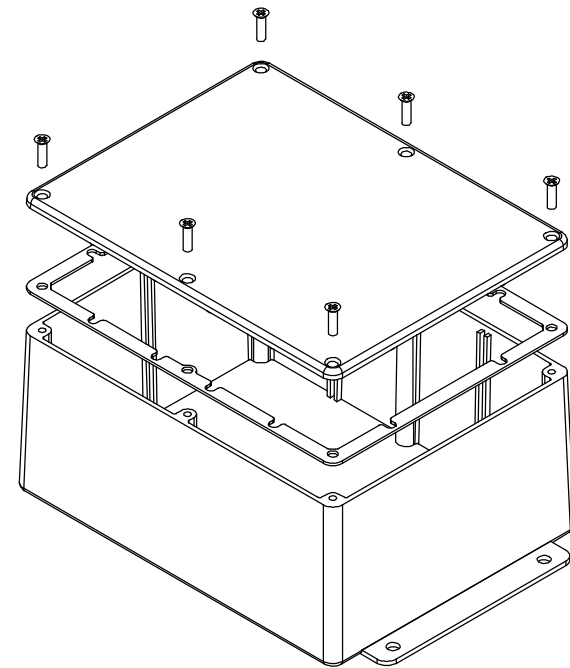
BODY

1.50° DRAFT
OUTSIDE & INSIDE

COVER



Ø.205 (4x)



PARTS LIST			
QTY.	USED ON	AS NOTED	AS NOTED
		DO NOT SCALE DRAWING	DO NOT SCALE DRAWING
		CAD GENERATED DRAWING. DO NOT MANUALLY UPDATE.	
		APPROVALS	DATE
		DRAWN	4-3-06
		CHECKED	
		APPROVED	
		BUD INDUSTRIES INC.	
		DIE CAST ALUMINUM ENCLOSURE	
		DRWG. NO.	CN-6708
		SCALE	CAD PER
		SHEET 1 OF 1	