



Chipsmall Limited consists of a professional team with an average of over 10 year of expertise in the distribution of electronic components. Based in Hongkong, we have already established firm and mutual-benefit business relationships with customers from,Europe,America and south Asia,supplying obsolete and hard-to-find components to meet their specific needs.

With the principle of “Quality Parts,Customers Priority,Honest Operation,and Considerate Service”,our business mainly focus on the distribution of electronic components. Line cards we deal with include Microchip,ALPS,ROHM,Xilinx,Pulse,ON,Everlight and Freescale. Main products comprise IC,Modules,Potentiometer,IC Socket,Relay,Connector.Our parts cover such applications as commercial,industrial, and automotives areas.

We are looking forward to setting up business relationship with you and hope to provide you with the best service and solution. Let us make a better world for our industry!



Contact us

Tel: +86-755-8981 8866 Fax: +86-755-8427 6832

Email & Skype: info@chipsmall.com Web: www.chipsmall.com

Address: A1208, Overseas Decoration Building, #122 Zhenhua RD., Futian, Shenzhen, China



THE INFORMATION CONTAINED IN THIS DRAWING IS THE SOLE PROPERTY OF BUD INDUSTRIES INC. ANY REPRODUCTION IN PART OR WHOLE WITHOUT THE WRITTEN PERMISSION OF BUD INDUSTRIES INC. IS PROHIBITED.

DWG. NO.	CN-6711
ISSUE	REVISIONS

MATERIAL- ALUMINUM ALLOY # ADC-12

FINISH - NATURAL (CONTACT BUD FACTORY FOR ALTERNATE FINISHES)

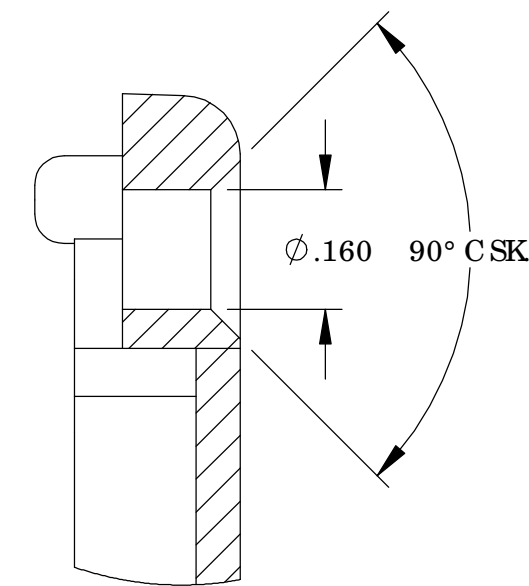
GASKET- RATED IP65 NEO PRENE, SELF-ADHESIVE, 3mm THICK, COLOR BLACK

SCREWS- STAINLESS STEEL, M3.5 x 12mm LG., C SK HEAD, SELF-THREADING

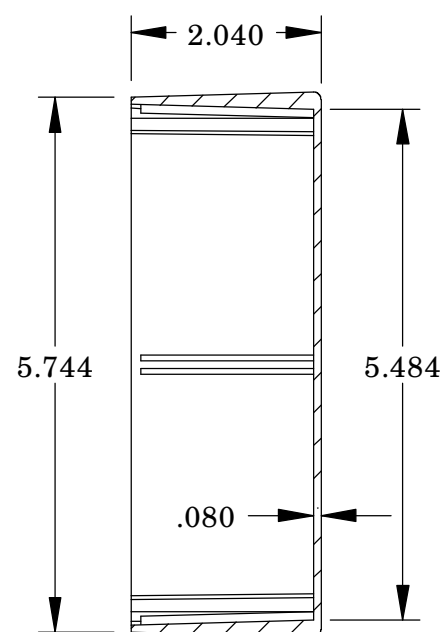
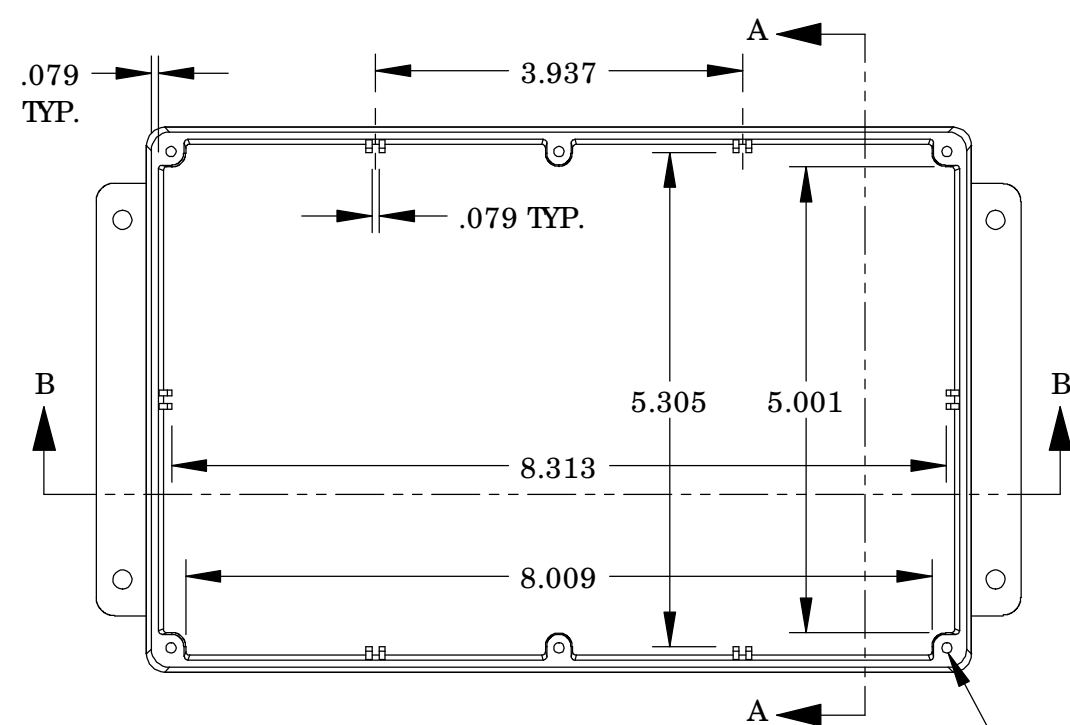
ALL HOLE DIAMETERS HAVE ±.005 TOLERANCE

ALL OTHER DIMENSIONS HAVE ±.015 TOLERANCE

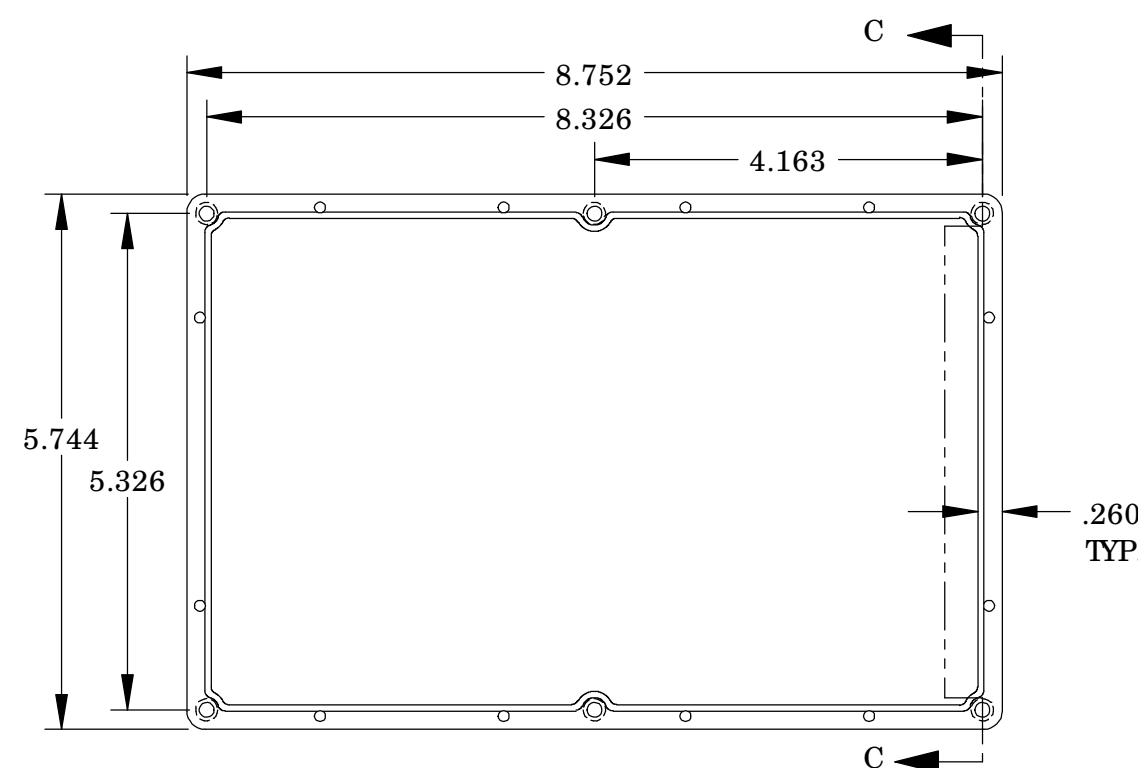
ENCLOSURES ARE SHIPPED UNASSEMBLED WITH ALL ITEMS SHOWN.



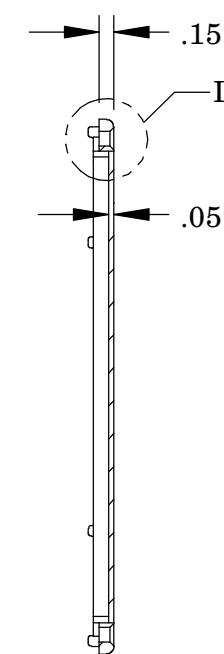
DETAILED SCALE 4:1



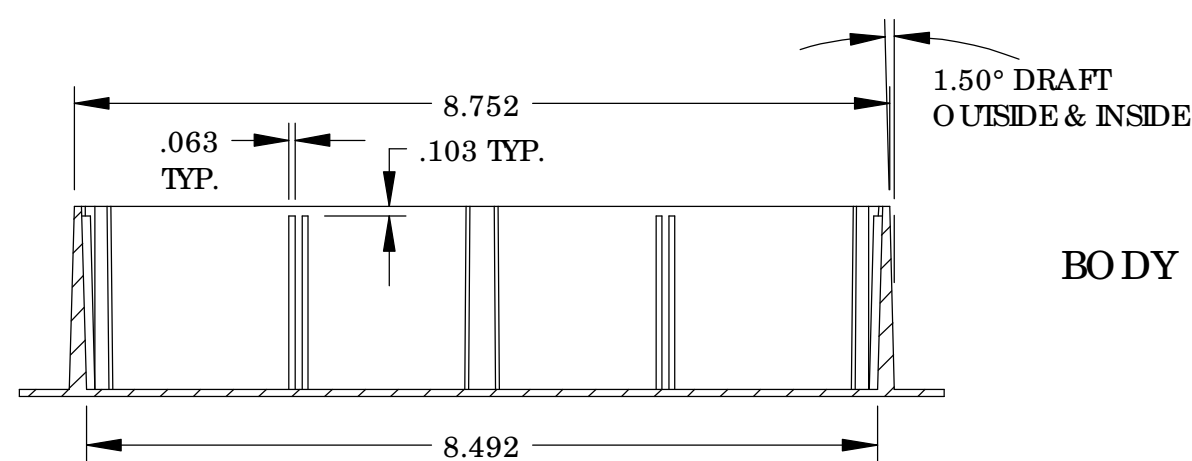
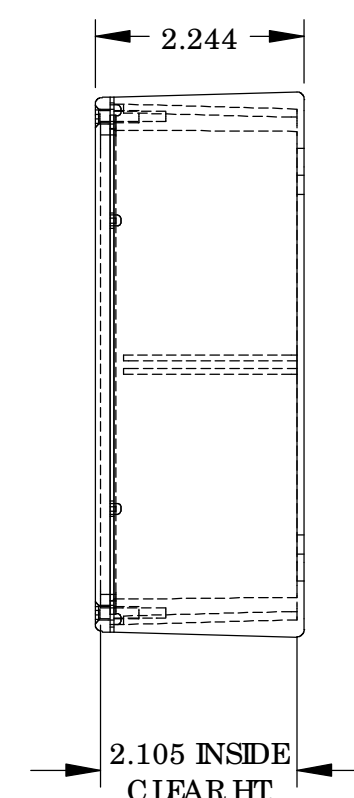
SECTION A-A



COVER

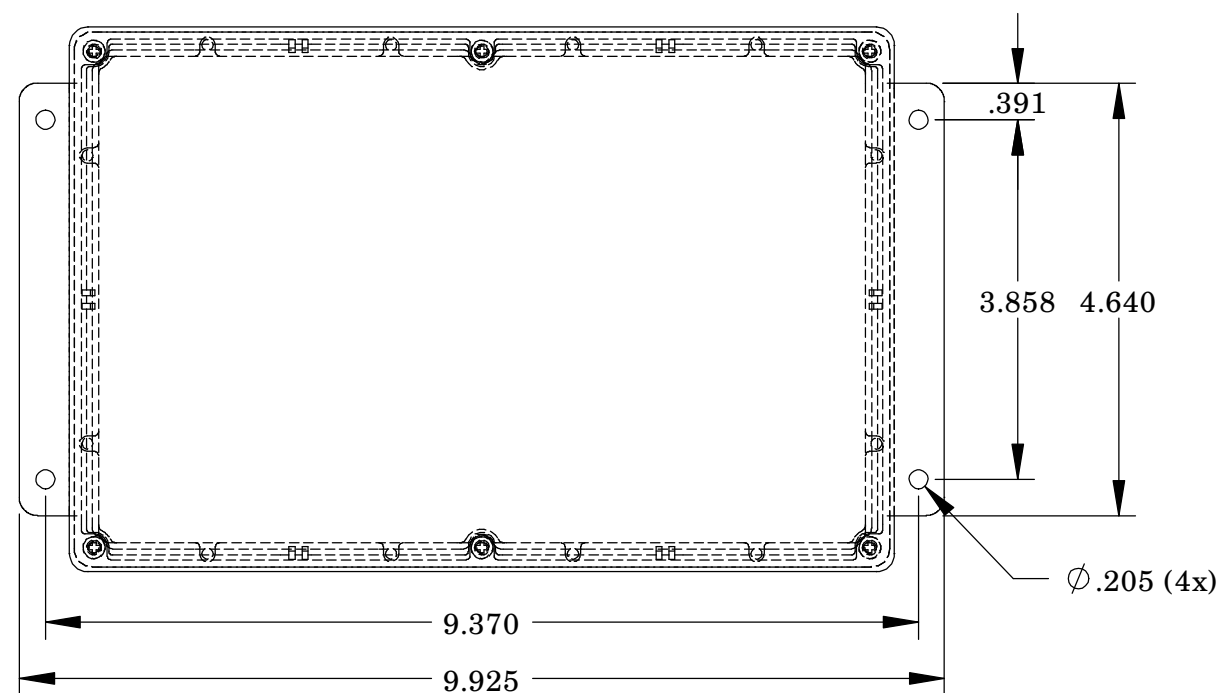
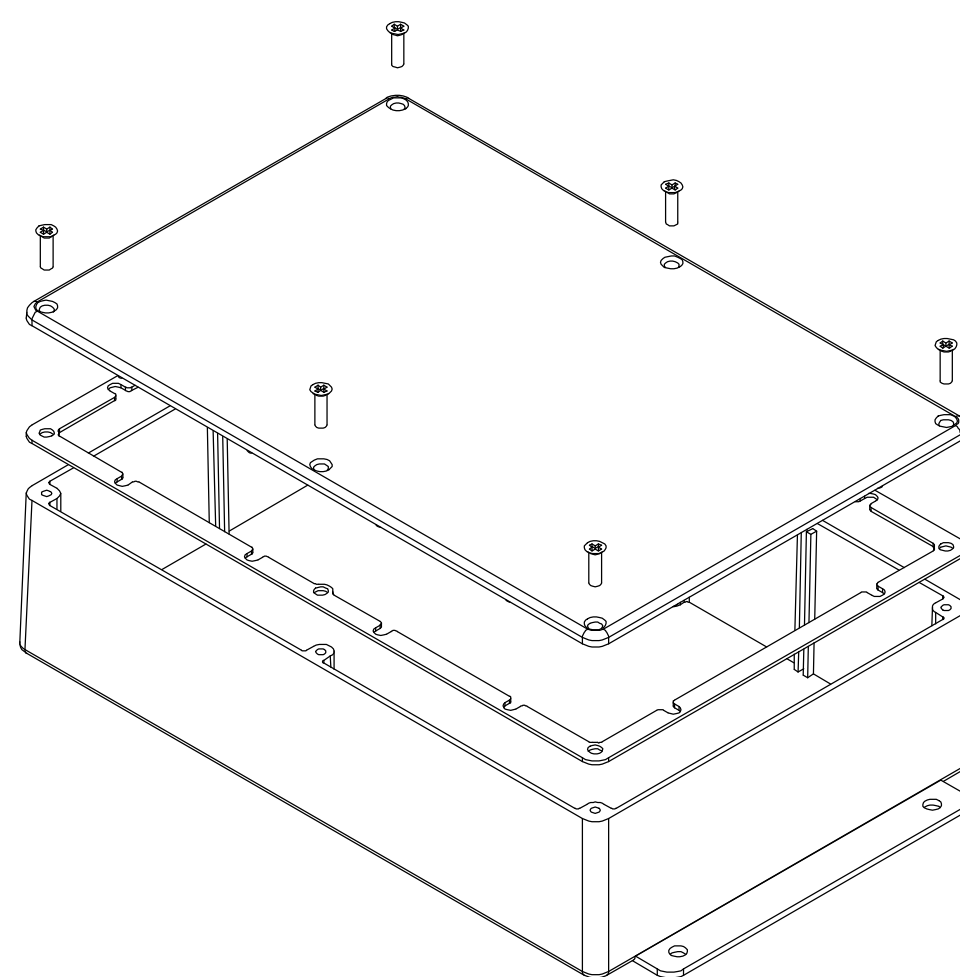


SECTION C-C



BODY

SECTION B-B



PARTS LIST			
±.005 BETWEEN HOLE CENTERS	CAD GENERATED DRAWING, DO NOT MANUALLY UPDATE		
±.015 FROM SHEARED EDGE	DO NOT MANUALLY UPDATE		
±.032 FROM A BENT SURFACE	DO NOT MANUALLY UPDATE		
±.062 BETWEEN ASSEMBLED SURFACES	DO NOT MANUALLY UPDATE		
UNLESS OTHERWISE SPECIFIED	DO NOT MANUALLY UPDATE		
MATERIAL	AS NOTED	APPROVED	DATE
FINISH	AS NOTED	APPROVED	DATE
QTY.	USED ON	DO NOT SCALE DRAWING	SCALE
BUD INDUSTRIES INC.		DIE CAST ALUMINUM ENCLOSURE	
SIZE C	DWG. NO. CN-6711	REV.	SHEET 1 OF 1