



Chipsmall Limited consists of a professional team with an average of over 10 year of expertise in the distribution of electronic components. Based in Hongkong, we have already established firm and mutual-benefit business relationships with customers from,Europe,America and south Asia,supplying obsolete and hard-to-find components to meet their specific needs.

With the principle of “Quality Parts,Customers Priority,Honest Operation,and Considerate Service”,our business mainly focus on the distribution of electronic components. Line cards we deal with include Microchip,ALPS,ROHM,Xilinx,Pulse,ON,Everlight and Freescale. Main products comprise IC,Modules,Potentiometer,IC Socket,Relay,Connector.Our parts cover such applications as commercial,industrial, and automotives areas.

We are looking forward to setting up business relationship with you and hope to provide you with the best service and solution. Let us make a better world for our industry!



Contact us

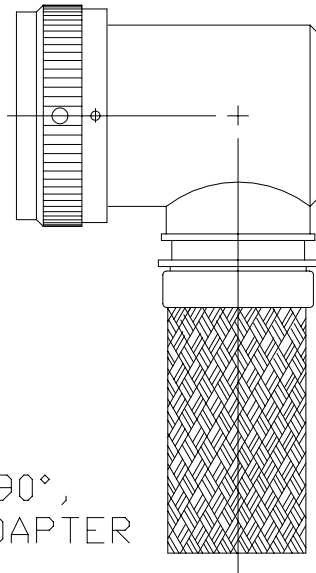
Tel: +86-755-8981 8866 Fax: +86-755-8427 6832

Email & Skype: info@chipsmall.com Web: www.chipsmall.com

Address: A1208, Overseas Decoration Building, #122 Zhenhua RD., Futian, Shenzhen, China



REVISIONS			
LTR	DESCRIPTION	DATE	APPROVED
C	REVISED PER ECN AD93090		



CODE 18 90°,
SHIELDED ADAPTER

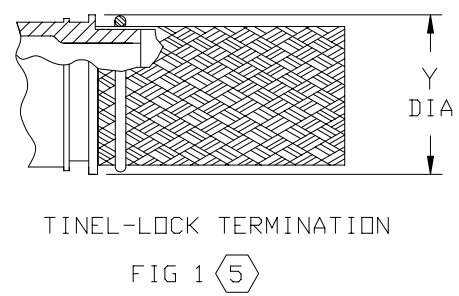
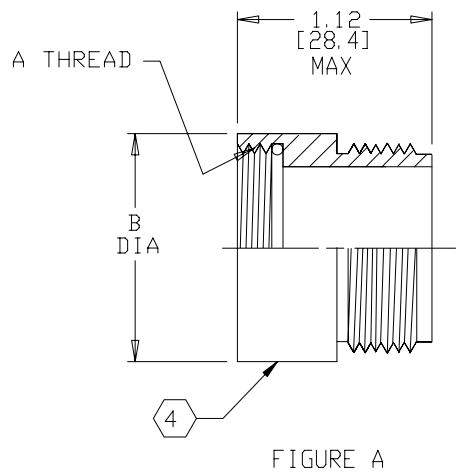
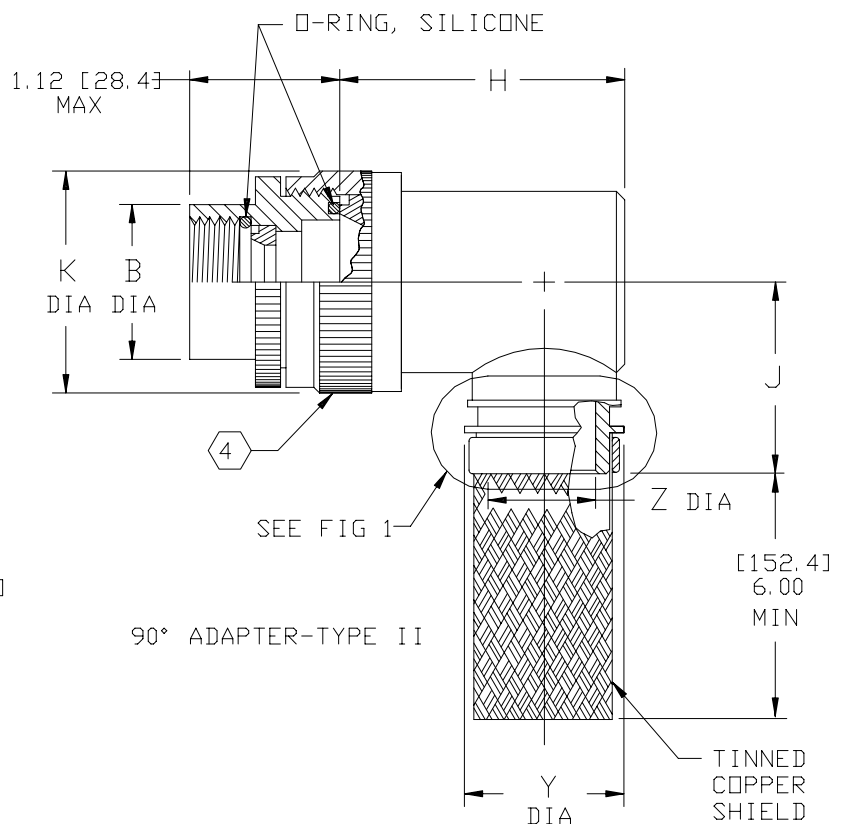
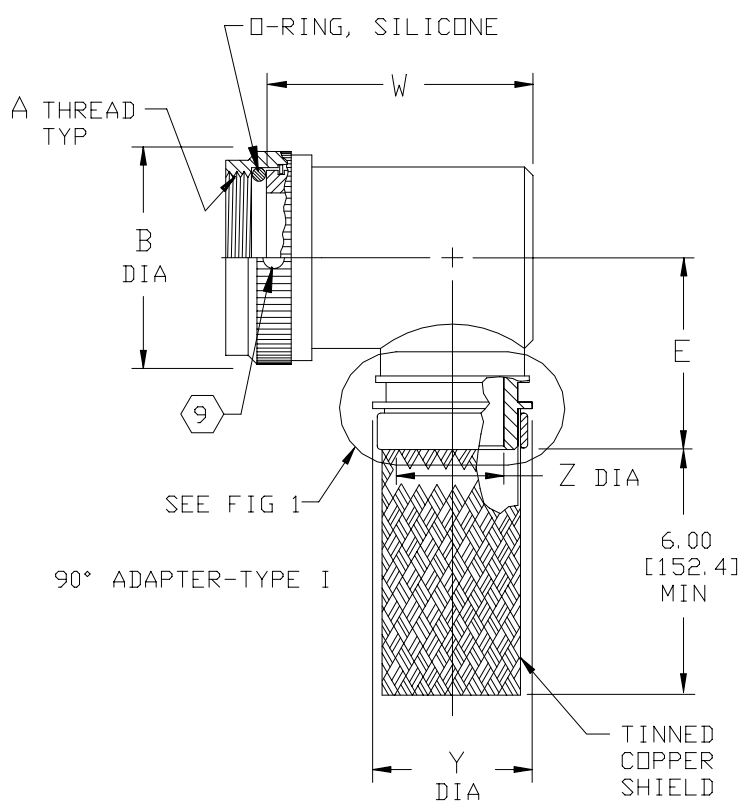
NOTES:

1. THIS PRODUCT IS DESIGNED TO TERMINATE A HEAT SHRINKABLE LIPPED BOOT TO A CONNECTOR.
2. FOR ADDITIONAL DIMENSIONS, ORDERING INFORMATION AND MODIFICATIONS, SEE CH00-0250-004.
3. ADAPTER TO BE PERMANENTLY MARKED WITH CODE IDENT. NO. AND PART NO. (E.G.: 06090-218M912-19B08).
- ④ FOR LARGER ENTRY SIZES, A 2 PIECE ADAPTER (TYPE II) IS SUPPLIED.
- ⑤ BRAID TERMINATION RING MAY BE SUPPLIED AS TINEL-LOCK SHAPE MEMORY RING AT MANUFACTURER'S OPTION.
- ⑥ ADAPTER MATES TO MIL-C-5015D, CLASS A, E & R, MS3100, MS3101 & MS3106. RESILIENT INSERT, SOLDER TYPE & BENDIX 10-214, CANNON CA-RX COMMERCIAL CRIMP TYPE (LESS ENDBELL).
- ⑦ ALL THREAD SIZES FOR ORDERED NO. APPLY.
- ⑧ ADDITIONAL PIECE(S) SUPPLIED WHEN CONNECTOR MFR IS UNKNOWN ("D" IN TABLE III) AND ENTRY SIZE DOES NOT EXCEED VALUE IN TABLE I.
- ⑨ ANTI-ROTATIONAL SET SCREW, 3 THREADED HOLES 120° ± 5° APART, SINGLE MATING SET SCREW SUPPLIED: AN565DC4H2. NOT REQUIRED FOR TYPE II ADAPTERS.

If this document is printed it becomes uncontrolled.
Check for the latest revision.

SPECIFICATION CONTROL DRAWING

UNLESS OTHERWISE SPECIFIED DIMENSIONS ARE IN INCHES. METRIC DIMENSIONS ARE IN BRACKETS. DECIMALS .XXX ± — [mm] .XX ± — [mm] .X ± — [mm] ANGLES .X ± —	DRAW R. RAMIREZ	DATE 03-19-93		Tyco Electronics Corporation 300 Constitution Drive Menlo Park, CA. 94025 U.S.A.		
	CHECKED	DATE				
	APPROVED W. C. GAY	DATE 05-26-93	TITLE ADAPTER, SHIELD, 90° CODE 18			
	APPROVED	DATE	CAD NAME \ACAD12\203M2XX			
THIRD ANGLE PROJECTION		SIZE A	CODE IDENT. NO. 06090	DWG. NO. 218M9XX	REV C	
DO NOT SCALE THIS DWG			SHEET 1 OF 4			



If this document is printed it becomes uncontrolled.
Check for the latest revision.

SIZE	CODE IDENT. NO.	DWG. NO.	REV
A	06090	218M9XX	C
DO NOT SCALE THIS DWG			CAD NAME \ACAD12\218M9X-2 SHEET 2 OF 4

TABLE I

BASE PART NUMBER	SHELL SIZE ⑥	MFR CODE TABLE III	MAX ENTRY SIZE TYPE I ④	A THREAD CLASS 2B	B DIA MAX	E MAX
218M908	8S	B	04	.375-32 UNEF	.73 [18.5]	1.23 [31.2]
		C		.438-28 UNEF		
		A, R		.438-27 UNS		
		D ⑧		⑦		
218M910	10S	-	06	.500-28 UNEF	.79 [20.1]	1.23 [31.2]
218M911	10SL	C	07	.562-24 UNEF	.85 [21.6]	1.24 [31.5]
		A, B, R		.625-24 UNEF	.92 [23.4]	
		D ⑧		⑦	.92 [23.4]	
218M912	12 & 12S	B, C	08	.625-24 UNEF	.92 [23.4]	1.24 [31.5]
		A, R		.688-24 UNEF	.98 [24.9]	1.30 [33.0]
		D ⑧		⑦	.98 [24.9]	1.30 [33.0]
218M914	14 & 14S	-	10	.750-20 UNEF	1.04 [26.4]	1.31 [33.3]
218M916	16 & 16S	-	12	.875-20 UNEF	1.23 [31.2]	1.42 [36.1]
218M918	18	-	12	1.000-20 UNEF	1.35 [34.3]	1.48 [37.6]
218M920	20	A, B, C	16	1.125-18 UNEF	1.48 [37.6]	1.55 [39.4]
		R		1.125-24 UNS		
		D ⑧		⑦		
218M922	22	-	18	1.250-18 UNEF	1.60 [40.6]	1.61 [40.9]
218M924	24	-	20	1.375-18 UNEF	1.73 [43.9]	1.67 [42.4]
218M928	28	-	24	1.625-18 UNEF	2.10 [53.3]	1.86 [47.2]
218M932	32	B, C	24	1.875-16 UN	2.23 [56.6]	1.92 [48.8]
		A, R		1.906-18 UN		
		D ⑧		⑦		
218M936	36	B	28	2.062-16 UNS	2.48 [63.0]	2.05 [52.1]
		R		2.062-20 UNS		
		C		2.125-16 UN		
		A		2.125-18 UNS		
		D ⑧		⑦		
218M940	40	B	28	2.312-16 UNS	2.73 [69.3]	2.17 [55.1]
		A, C, R		2.375-16 UN		
		D ⑧		⑦		
218M944	44	-	28	2.625-16 UN	3.23 [82.0]	2.42 [61.5]
218M948	48	C	28	2.812-18 UNS	3.23 [82.0]	2.42 [61.5]
		A, R		2.875-16 UN		
		D ⑧		⑦		

If this document is printed it becomes uncontrolled.
Check for the latest revision.

SIZE	CODE IDENT. NO.	DWG. NO.	REV
A	06090	218M9XX	C
DO NOT SCALE THIS DWG		CAD NAME \ACAD12\218M9X-3	SHEET 3 OF 4

TABLE II

ENTRY SIZE	Z ±.020 [±0.51]	Y DIA MIN	W MAX	J MAX	H MAX	K MAX
03	.188 [4.78]	.393 [9.98]	1.24 [31.5]	N/A	N/A	N/A
04	.250 [6.35]	.456 [11.58]	1.24 [31.5]	N/A	N/A	N/A
05	.312 [7.92]	.515 [13.08]	1.35 [34.3]	1.16 [29.5]	1.19 [30.2]	.80 [20.3]
06	.375 [9.53]	.581 [14.76]	1.41 [35.8]	1.16 [29.5]	1.19 [30.2]	.80 [20.3]
07	.438 [11.13]	.643 [16.33]	1.47 [37.3]	1.22 [31.0]	1.38 [35.1]	.92 [23.4]
08	.500 [12.70]	.705 [17.91]	1.54 [39.1]	1.22 [31.0]	1.38 [35.1]	.92 [23.4]
09	.562 [14.27]	.705 [17.91]	1.59 [40.4]	1.35 [34.3]	1.51 [38.4]	1.18 [30.0]
10	.625 [15.88]	.831 [21.11]	1.63 [41.4]	1.35 [34.3]	1.51 [38.4]	1.18 [30.0]
11	.688 [17.48]	.893 [22.68]	1.71 [43.4]	1.40 [35.6]	1.63 [41.4]	1.18 [30.0]
12	.750 [19.05]	.953 [24.21]	1.79 [45.5]	1.40 [35.6]	1.63 [41.4]	1.35 [34.3]
13	.812 [20.62]	.953 [24.21]	1.86 [47.2]	1.46 [37.1]	1.78 [42.2]	1.41 [35.8]
14	.875 [22.23]	1.081 [27.46]	1.92 [48.8]	1.46 [37.1]	1.78 [45.2]	1.41 [35.8]
15	.938 [23.83]	1.143 [29.03]	1.98 [50.3]	1.53 [38.9]	1.88 [47.8]	1.60 [40.6]
16	1.000 [25.40]	1.205 [30.61]	2.04 [51.8]	1.53 [38.9]	1.88 [47.8]	1.60 [40.6]
18	1.125 [28.58]	1.381 [35.08]	2.16 [54.9]	1.59 [40.4]	2.01 [51.1]	1.66 [42.2]
20	1.250 [31.75]	1.506 [38.25]	2.29 [58.2]	1.78 [45.2]	2.13 [54.1]	2.04 [51.8]
22	1.375 [34.93]	1.631 [41.43]	2.41 [61.2]	1.85 [47.0]	2.29 [58.2]	2.23 [56.6]
24	1.500 [38.10]	1.756 [44.60]	2.53 [64.3]	1.92 [48.8]	2.42 [61.5]	2.23 [56.6]
28	1.750 [44.45]	2.004 [50.90]	2.78 [70.6]	2.17 [55.1]	2.67 [67.8]	2.48 [63.0]

TABLE III

MFR CODE	CONNECTOR MANUFACTURER (MS 3100, MS 3101 & MS 3106)
A	AMPHENOL-CLASS A
B	BENDIX-CLASS A, E & R
C	CANNON-CLASS A, E & R
D	MFR UNKNOWN, CLASS A, E & R
R	AMPHENOL-CLASS R
-	MFR CODE NOT REQUIRED

If this document is printed it becomes uncontrolled.
Check for the latest revision.

SIZE A	CODE IDENT. NO. 06090	DWG. NO. 218M9XX	REV C
DO NOT SCALE THIS DWG		CAD NAME \ACAD12\218M9X-4	SHEET 4 OF 4