



Chipsmall Limited consists of a professional team with an average of over 10 year of expertise in the distribution of electronic components. Based in Hongkong, we have already established firm and mutual-benefit business relationships with customers from,Europe,America and south Asia,supplying obsolete and hard-to-find components to meet their specific needs.

With the principle of “Quality Parts,Customers Priority,Honest Operation,and Considerate Service”,our business mainly focus on the distribution of electronic components. Line cards we deal with include Microchip,ALPS,ROHM,Xilinx,Pulse,ON,Everlight and Freescale. Main products comprise IC,Modules,Potentiometer,IC Socket,Relay,Connector.Our parts cover such applications as commercial,industrial, and automotives areas.

We are looking forward to setting up business relationship with you and hope to provide you with the best service and solution. Let us make a better world for our industry!



Contact us

Tel: +86-755-8981 8866 Fax: +86-755-8427 6832

Email & Skype: info@chipsmall.com Web: www.chipsmall.com

Address: A1208, Overseas Decoration Building, #122 Zhenhua RD., Futian, Shenzhen, China



**Ordering number CN13164_LENA-WAS**

Family	Lena	FWHM	0Asymmetric degrees
Type	Assembly	Efficiency	82 %
LED	CLL040	cd/lm	0.950
Color	Metal	Gerber File	Available
Diameter	111 mm		
Height	-		
Style	Round		
Optic Material	PC		
Holder Material	-		
Fastening	-		
Status	Ready		

**Ordering number CN13174_LENA-WAS-DL**

Family	Lena	FWHM	Asymmetric degrees
Type	Assembly	Efficiency	78 %
LED	CLL040	cd/lm	0.810
Color	Metal	Gerber File	Available
Diameter	111 mm		
Height	-		
Style	Round		
Optic Material	PC		
Holder Material	-		
Fastening	-		
Status	Ready		

**Ordering number CN12715_LENA-S**

Family	Lena	FWHM	15 degrees
Type	Reflector	Efficiency	84 %
LED	CLL040	cd/lm	5.250
Color	Metal	Gerber File	Available
Diameter	111 mm		
Height	86.3 mm		
Style	Round		
Optic Material	PC		
Holder Material	PC		
Fastening	Screw		
Status	Ready		

**Ordering number CN12721_LENA-S-DL**

Family	Lena	FWHM	16 degrees
Type	Reflector	Efficiency	79 %
LED	CLL040	cd/lm	3.820
Color	Metal	Gerber File	Available
Diameter	111 mm		
Height	87.6 mm		
Style	Round		
Optic Material	PC		
Holder Material	PC		
Fastening	Screw		
Status	Ready		

**Ordering number CN12716_LENA-M**

Family	Lena	FWHM	23 degrees
Type	Reflector	Efficiency	82 %
LED	CLL040	cd/Im	3.380
Color	Metal	Gerber File	Available
Diameter	111 mm		
Height	86.3 mm		
Style	Round		
Optic Material	PC		
Holder Material	PC		
Fastening	Screw		
Status	Ready		

**Ordering number CN12722_LENA-M-DL**

Family	Lena	FWHM	24 degrees
Type	Reflector	Efficiency	77 %
LED	CLL040	cd/Im	2.670
Color	Metal	Gerber File	Available
Diameter	111 mm		
Height	87.6 mm		
Style	Round		
Optic Material	PC		
Holder Material	PC		
Fastening	Screw		
Status	Ready		

**Ordering number CN12717_LENA-W**

Family	Lena	FWHM	46 degrees
Type	Reflector	Efficiency	81 %
LED	CLL040	cd/Im	1.240
Color	Metal	Gerber File	Available
Diameter	111 mm		
Height	86.3 mm		
Style	Round		
Optic Material	PC		
Holder Material	PC		
Fastening	Screw		
Status	Ready		

**Ordering number CN12723_LENA-W-DL**

Family	Lena	FWHM	46 degrees
Type	Reflector	Efficiency	76 %
LED	CLL040	cd/Im	1.090
Color	Metal	Gerber File	Available
Diameter	111 mm		
Height	87.6 mm		
Style	Round		
Optic Material	PC		
Holder Material	PC		
Fastening	Screw		
Status	Ready		



PRODUCT DATASHEET

Lena series

last update 5/7/2012

CITIZEN

NOTE: The typical divergence will be changed by different color, chip size and chip position tolerance. The typical total divergence is the full angle measured where the luminous intensity is half of the peak value.



PRODUCT DATASHEET

Lena series

last update 5/7/2012

CITIZEN

GENERAL INFORMATION

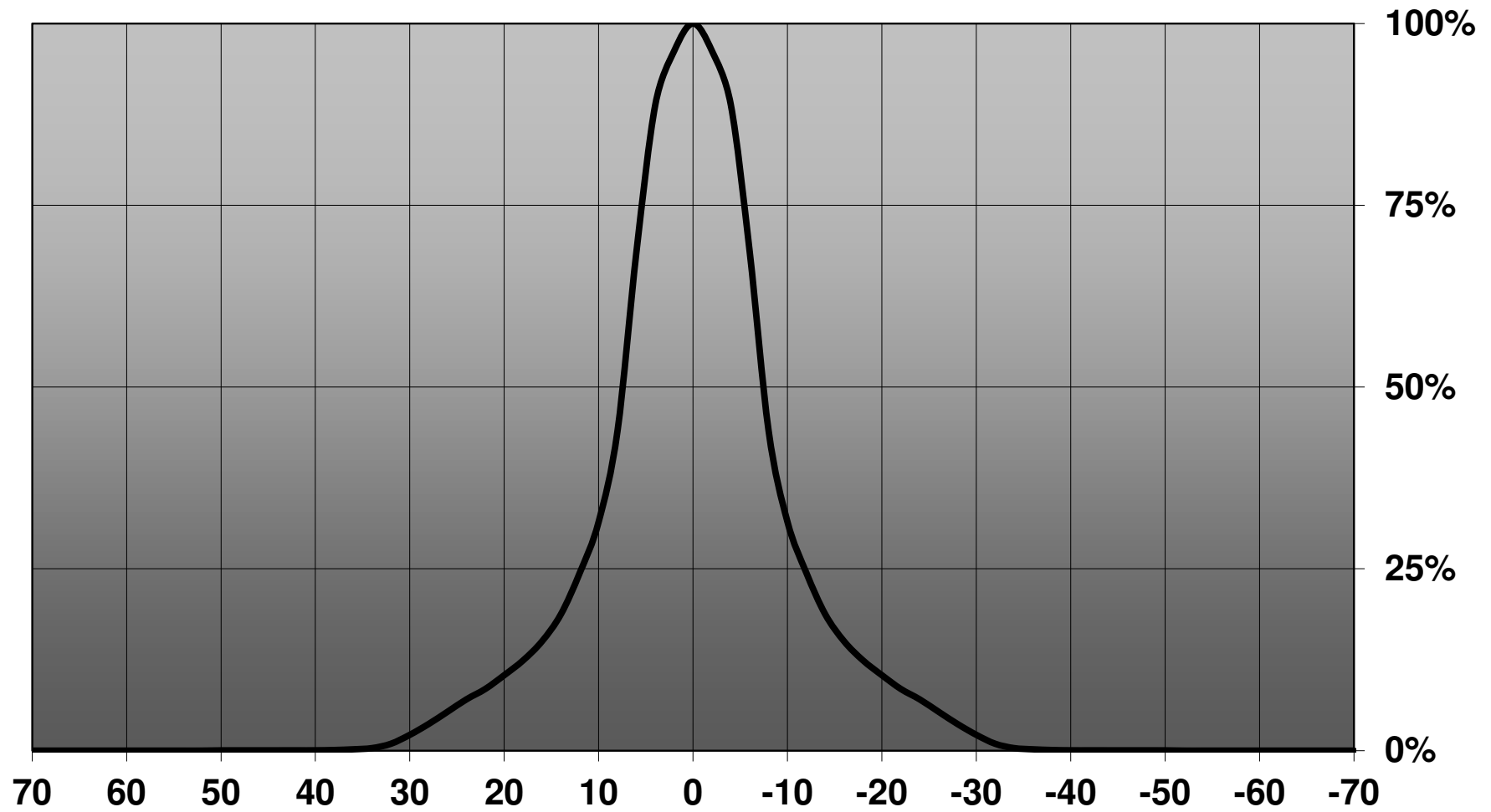
- Product series especially designed & optimized for CLL040 series of LEDs.
- Special care taken to make light distribution as uniform as possible.
- Lens material optical grade PC with high UV and temperature resistance (120 degrees of Celcius / 248 degrees of Fahrenheit). Allows use of high current and temperature conditions.

Please find more information about used materials from below:

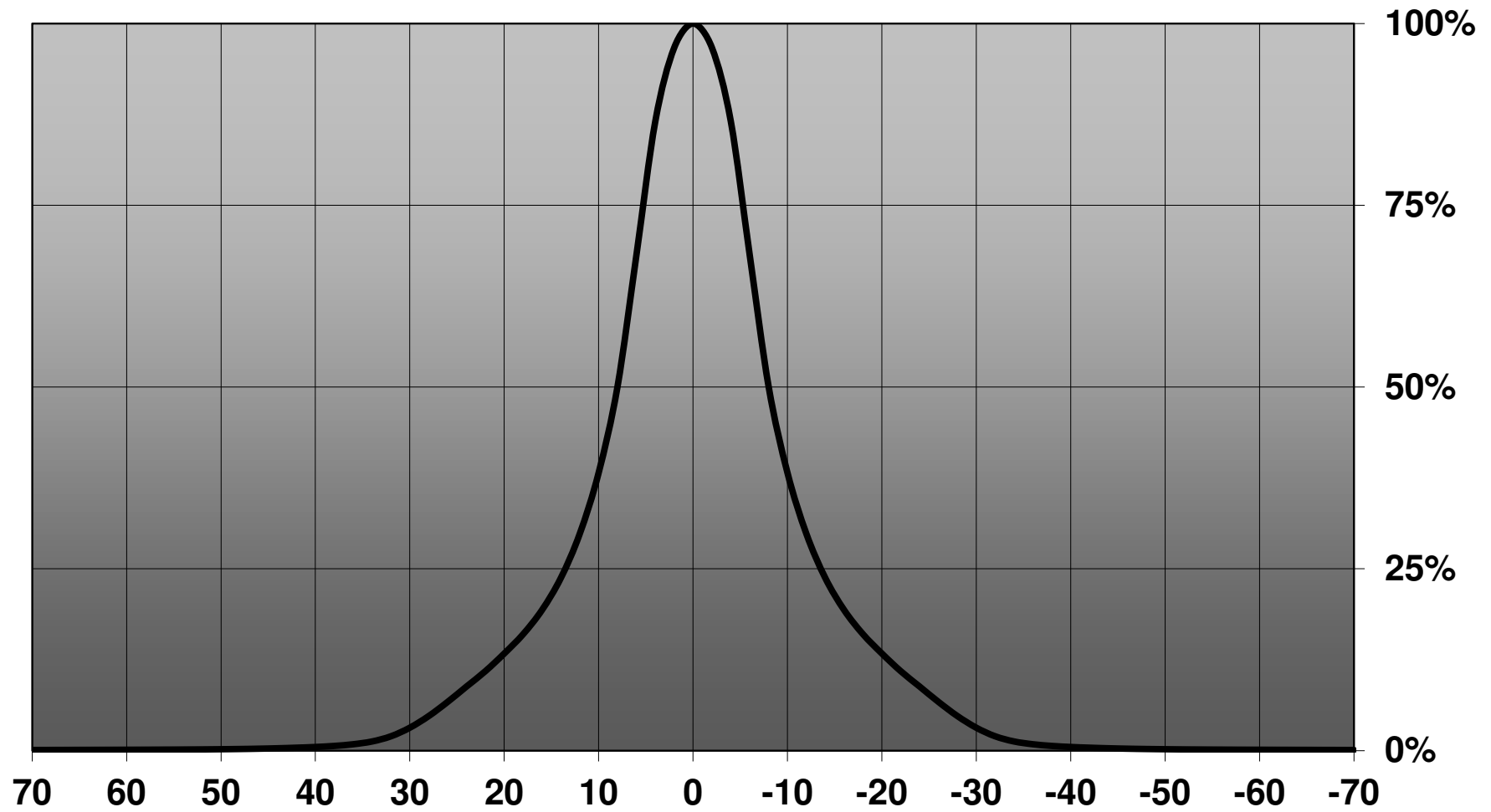
http://ledil.fi/sites/default/files/Documents/Technical/Material/PC%20Makrolon%202400_2407_2456_2458-UL.pdf

- Reflector is made of aluminium coated PC (120 degrees of Celcius / 248 degrees of Fahrenheit) with protective lacquer (110 degrees of Celcius / 230 degrees of Fahrenheit).
- Optic holder molded by high quality PC material (120 degees of Celcius / 248 degrees of Fahrenheit).

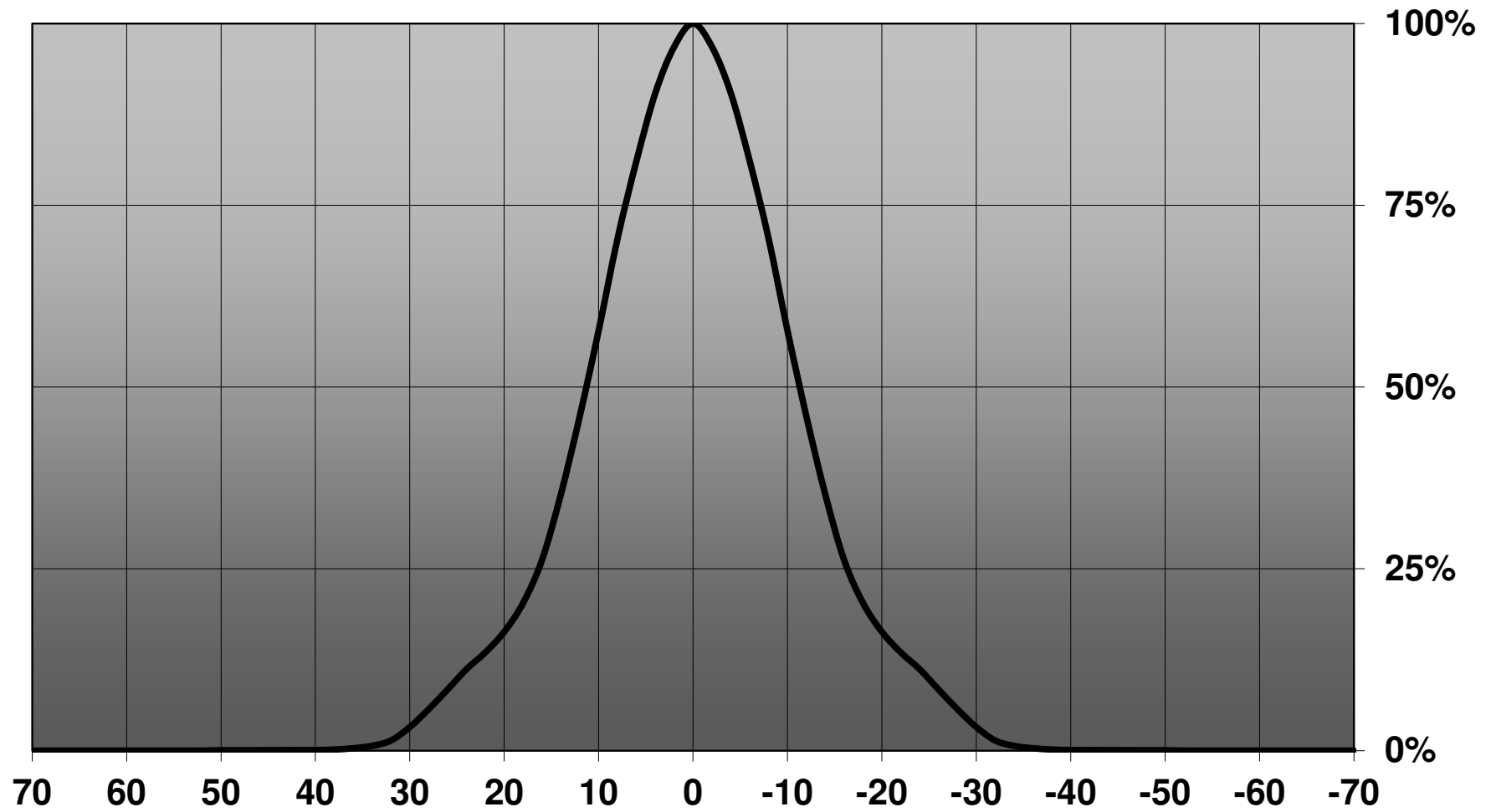
Relative intensity of CN12715_LENA-S_(CLL040)



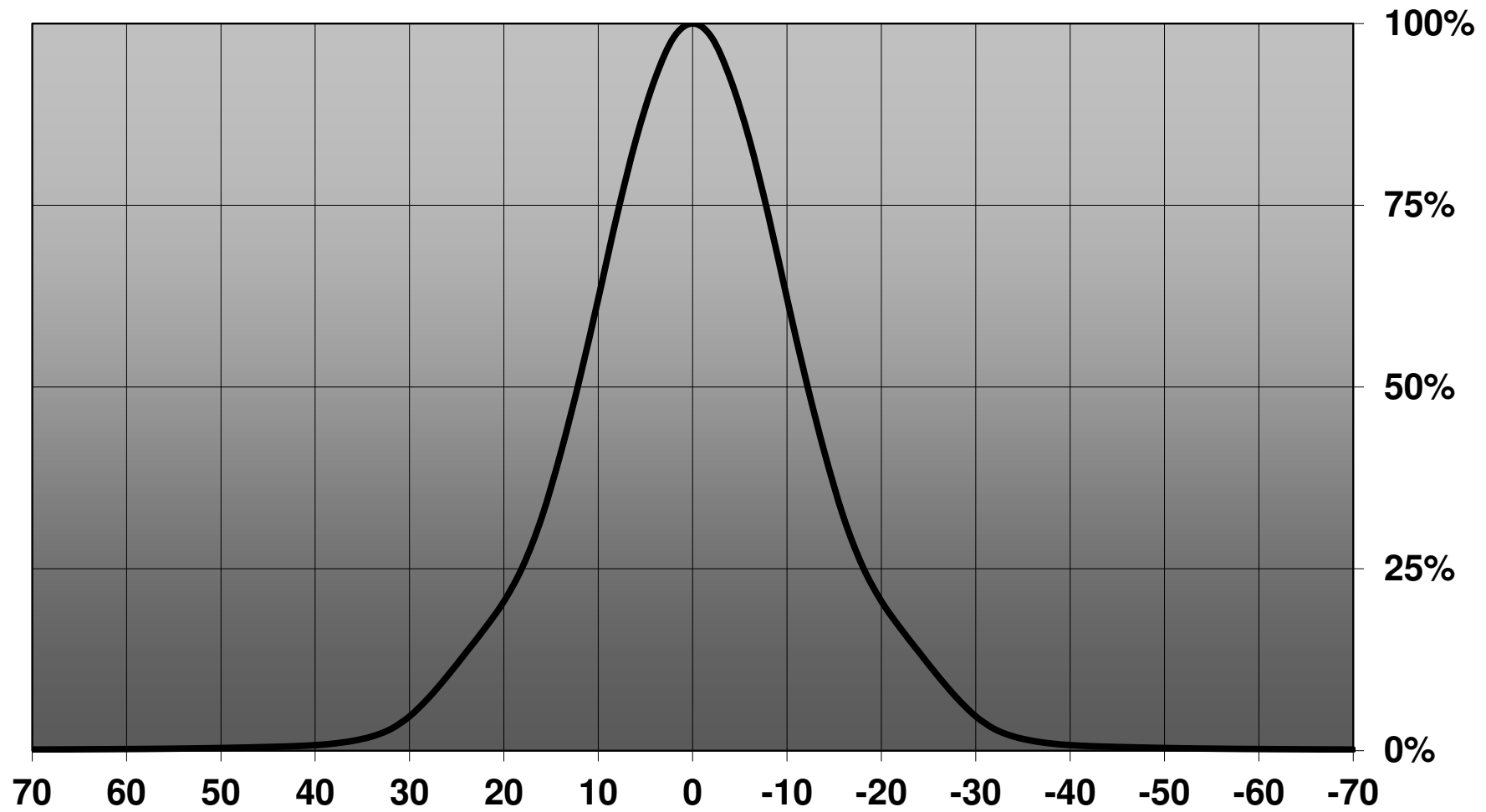
Relative intensity of CN12721_LENA-S-DL_(CLL040)



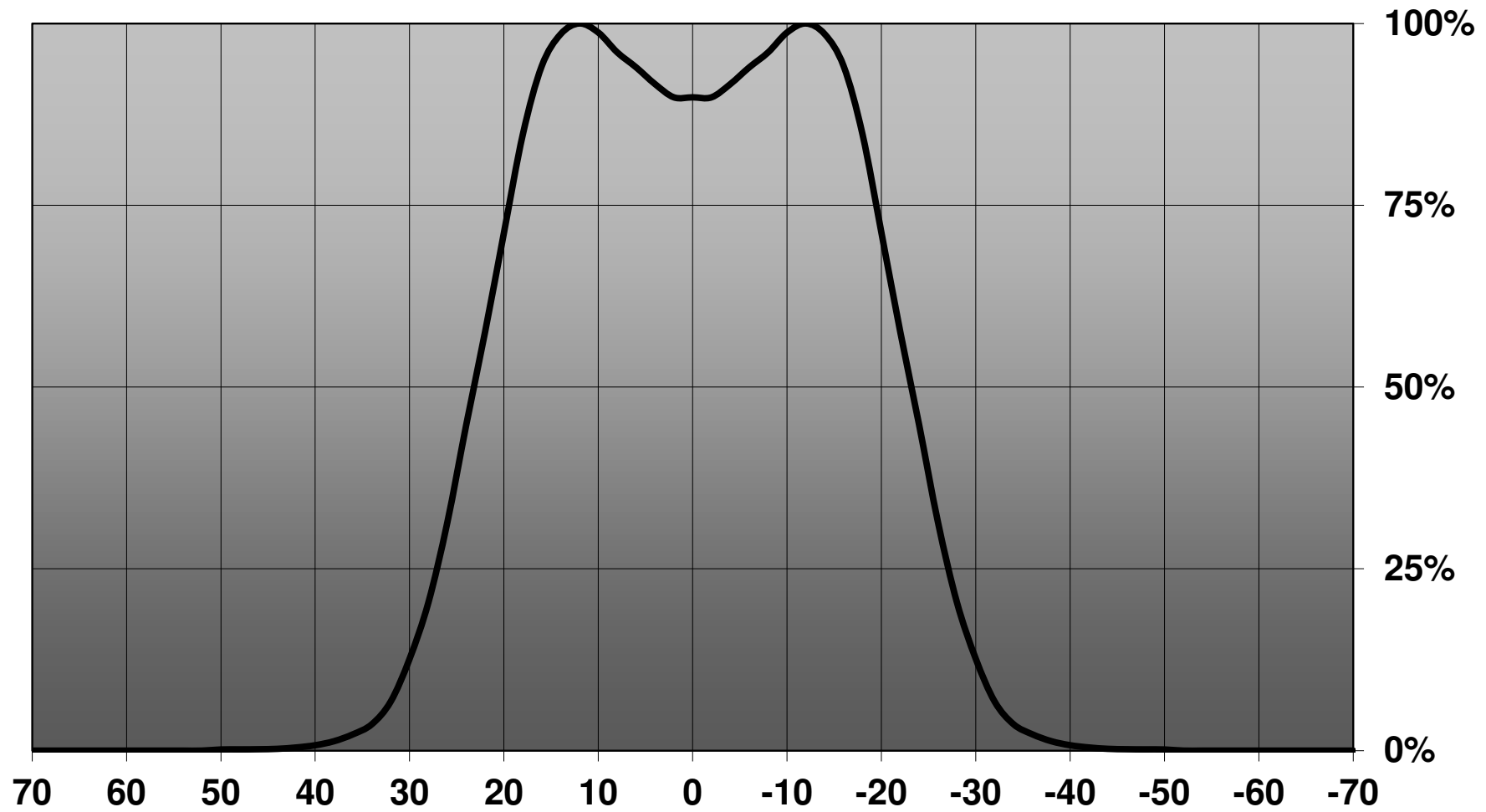
Relative intensity of CN12716_LENA-M_(CLL040)



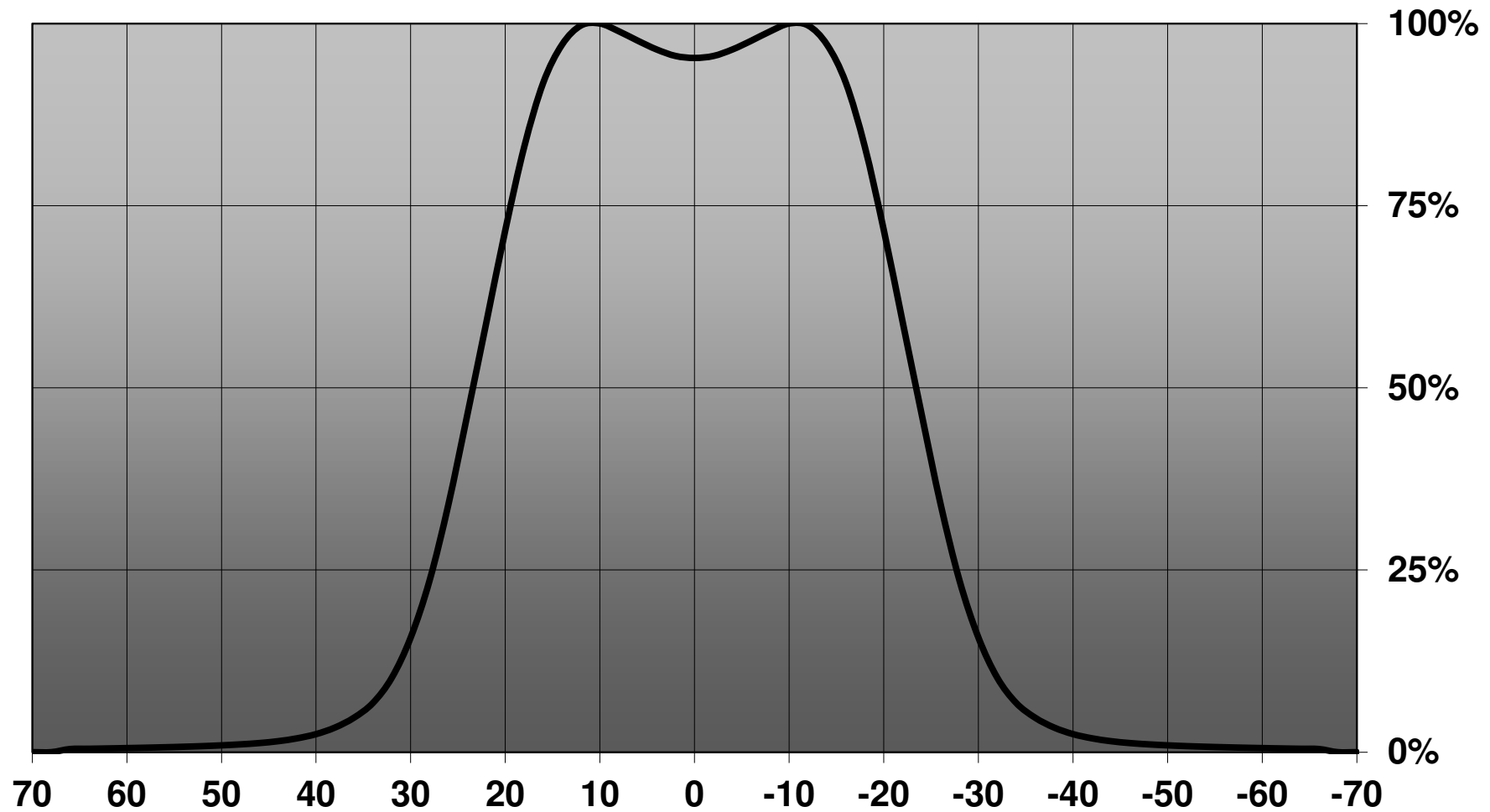
Relative intensity of CN12722_LENA-M-DL_(CLL040)



Relative intensity of CN12717_LENA-W_(CLL040)



Relative intensity of CN12723_LENA-W-DL_(CLL040)



D

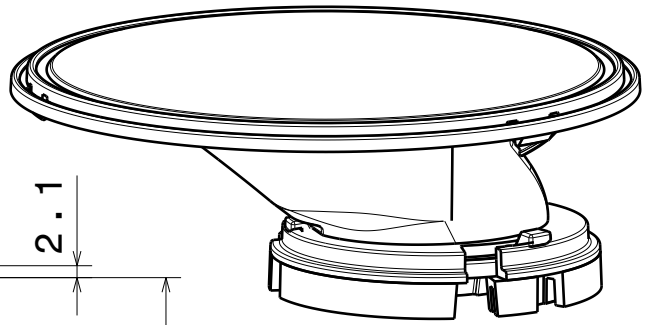
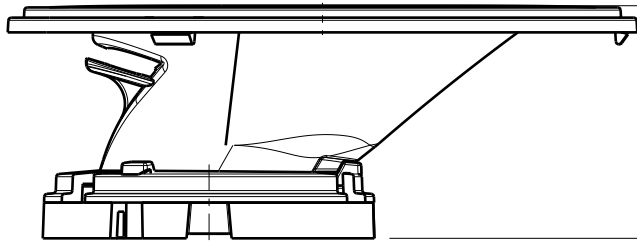
C

B

A

4

4



2.1

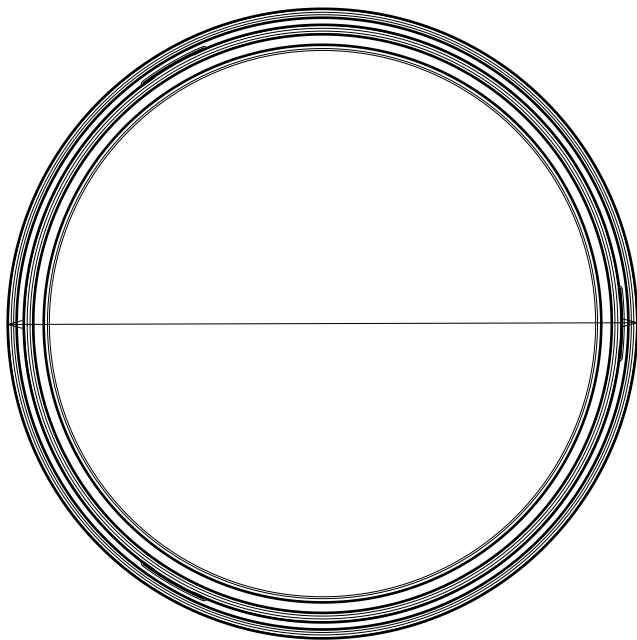
38.9

Isometric view

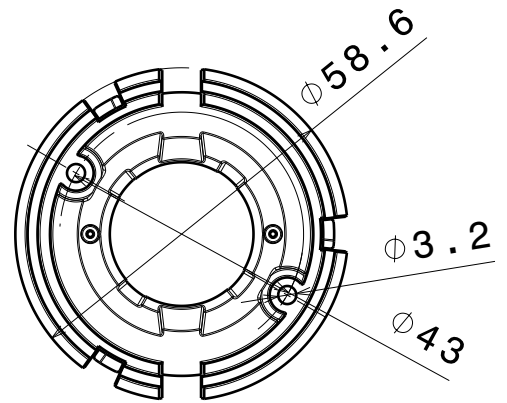
Front view

3

3



Ø 111



Ø 58.6

Ø 3.2

Ø 43

Top view

Materials

Reflector: PC

Base part: PC

Sublens: PC

Note: Using additional sublens add 2,1mm to total height.

2

2

1

1

This drawing is our property. It can't be reproduced or communicated without our written agreement.

LEDiL

Ledil Oy
Salorankatu 10
FIN 24240 SALO
Finland

DRAWING TITLE

Mechanical drawing

DRAWN BY

DATE

as

26.9.2012

LENA-WAS

CHECKED BY

DATE

VS

-

SIZE

PART NUMBER

REV

A4

001

DESIGNED BY

DATE

-

-

SCALE

1:4

WEIGHT

- mg

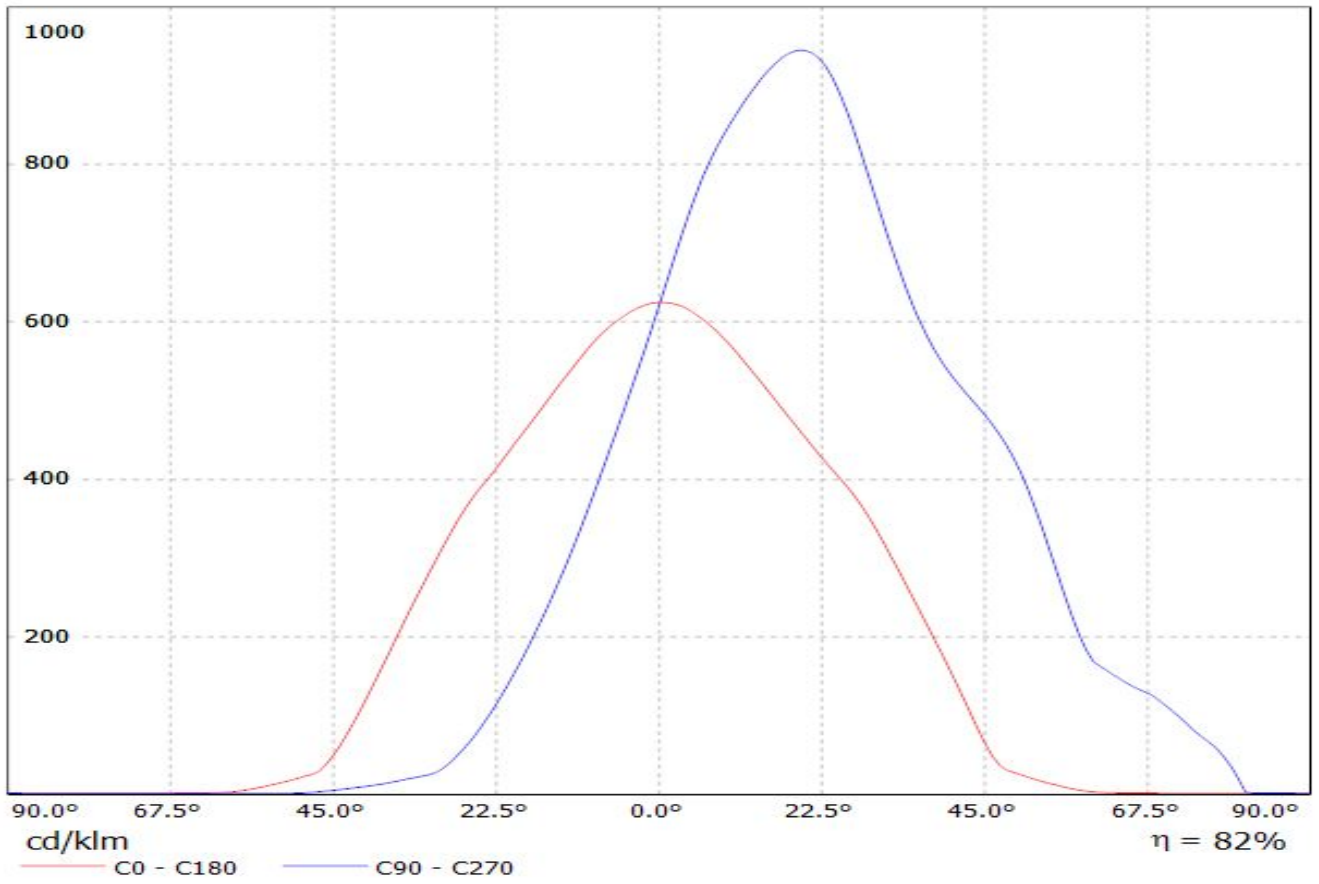
SHEET

1/1

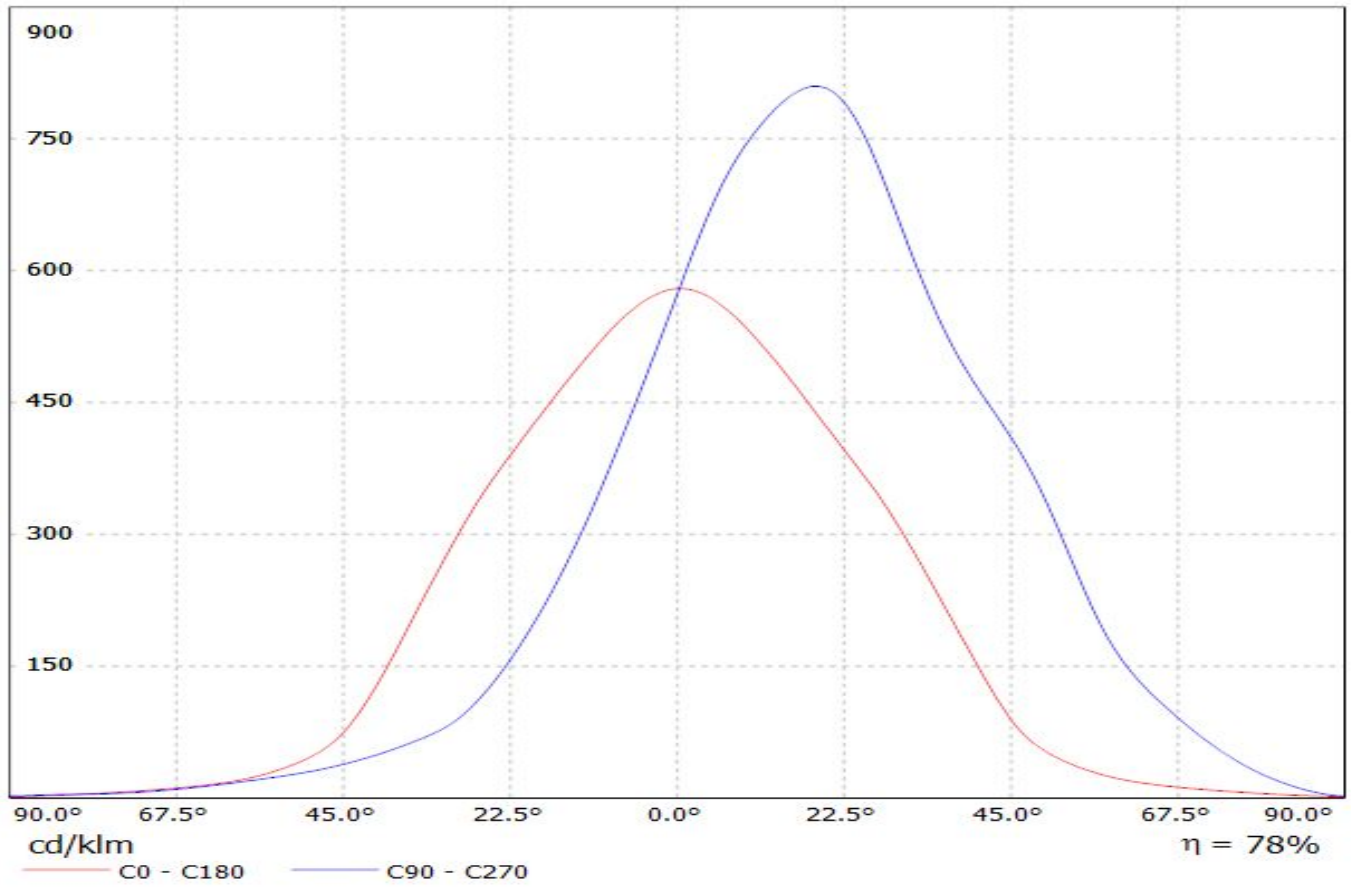
D

A

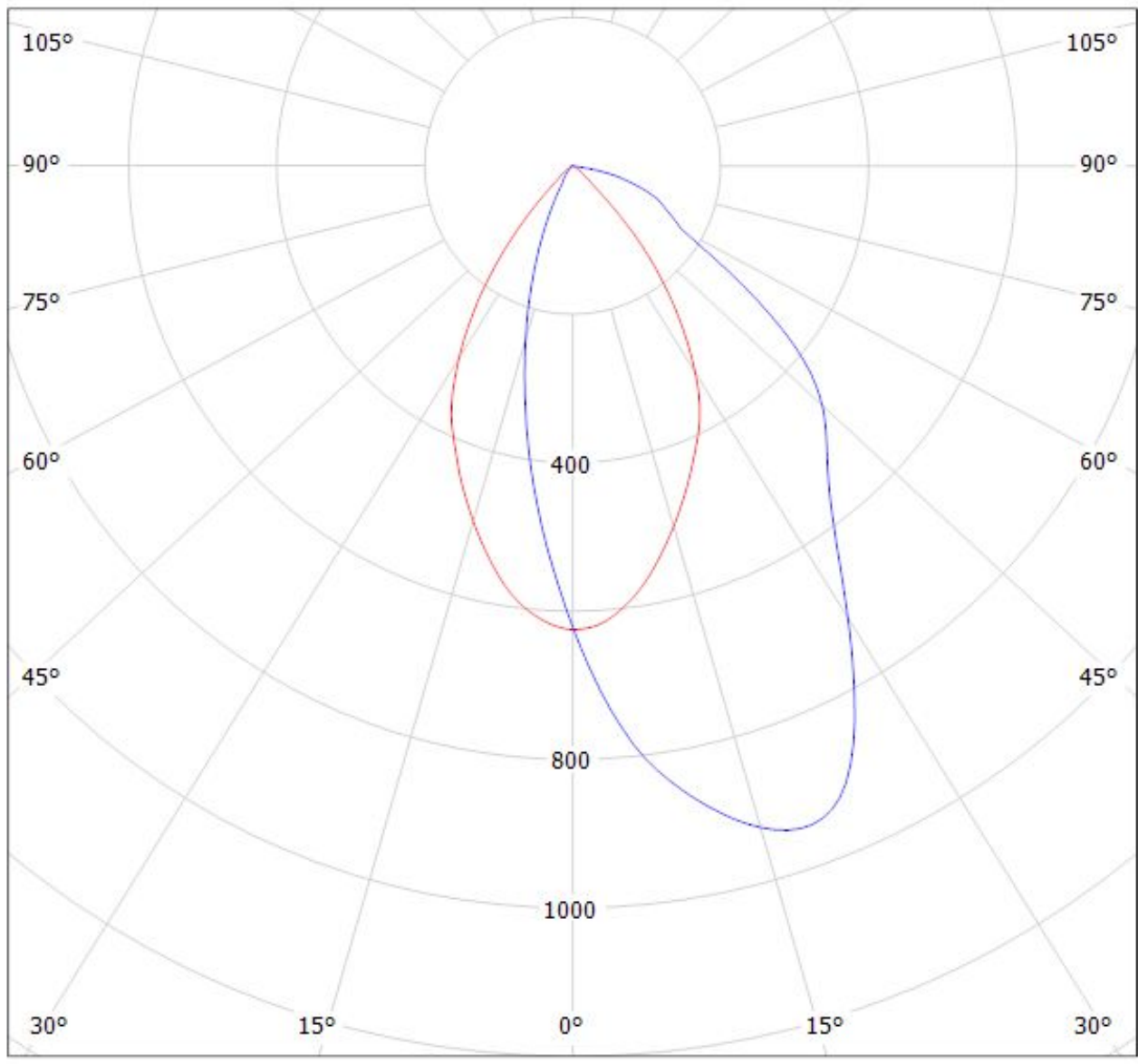
Luminaire: LEDiL Oy CN13164_LENA-WAS_(CLL040) Eff.81.7%
Lamps: 1 x CLL040 (696.603lm@250mA)



Luminaire: LEDiL Oy CN13174_LENA-WAS-DL_(CLL040) Eff.77.8%
Lamps: 1 x CLL040 (696.603lm@250mA)



Luminaire: LEDiL Oy CN13164_LENA-WAS_(CLL040) Eff.81.7%
Lamps: 1 x CLL040 (696.603lm@250mA)



cd/klm

— C0 - C180

— C90 - C270

$\eta = 82\%$

Luminaire: LEDiL Oy CN13174_LENA-WAS-DL_(CLL040) Eff.77.8%
Lamps: 1 x CLL040 (696.603lm@250mA)

