



Chipsmall Limited consists of a professional team with an average of over 10 year of expertise in the distribution of electronic components. Based in Hongkong, we have already established firm and mutual-benefit business relationships with customers from,Europe,America and south Asia,supplying obsolete and hard-to-find components to meet their specific needs.

With the principle of “Quality Parts,Customers Priority,Honest Operation,and Considerate Service”,our business mainly focus on the distribution of electronic components. Line cards we deal with include Microchip,ALPS,ROHM,Xilinx,Pulse,ON,Everlight and Freescale. Main products comprise IC,Modules,Potentiometer,IC Socket,Relay,Connector.Our parts cover such applications as commercial,industrial, and automotives areas.

We are looking forward to setting up business relationship with you and hope to provide you with the best service and solution. Let us make a better world for our industry!



Contact us

Tel: +86-755-8981 8866 Fax: +86-755-8427 6832

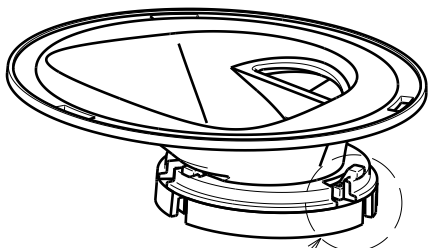
Email & Skype: info@chipsmall.com Web: www.chipsmall.com

Address: A1208, Overseas Decoration Building, #122 Zhenhua RD., Futian, Shenzhen, China

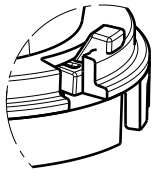


D C B A

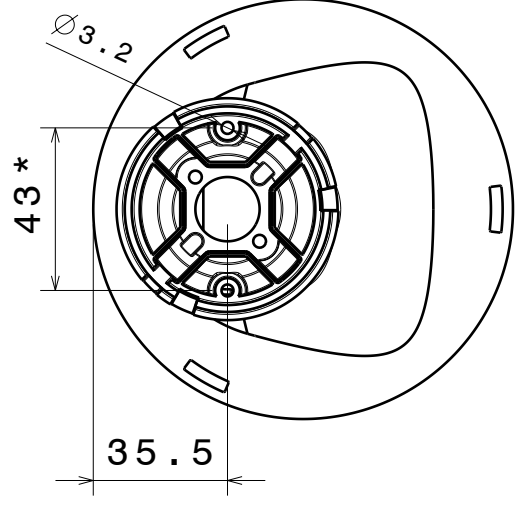
4



A

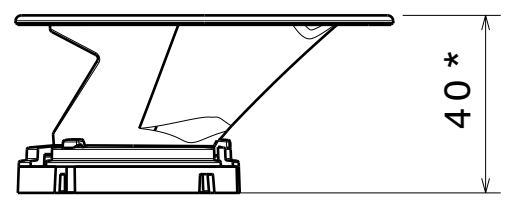


Detail A
Fitting to base part



4

3



Front view

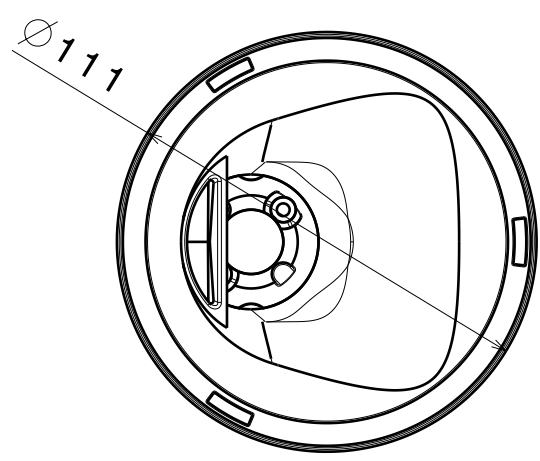
3

*Dimension with CXA20-led base part

Materials:
Base part, White PC.
Reflector, PC with metal coating and clear lacquer.
(Optional sub lens, PC)

Tolerances for dimensions:
0-20mm tolerance value +/-0.1mm
21-45mm tolerance value +/-0.2mm
46-90mm tolerance value +/-0.3mm
91-100mm tolerance value +/-0.4mm
101-mm tolerance value +/-0.5mm

Note:
Optional sublenses available, increases assembly height by 3-4mm depending style.



2

2

| | | | | | |
|-----------------------------------------------------------------------------------------------------|--|-------------------------------------------------------------------------------------|--|---------------------------------------------------------|---------------------|
| This drawing is our property. It can't be reproduced or communicated without our written agreement. | |  | | Ledil Oy Salorankatu 10 FIN 24240 SALO Finland | |
| DRAWN BY pv | | DATE 31.05.2012 | | DRAWING TITLE Datasheet LENA-WAS reflector | |
| CHECKED BY vs | | DATE 30.05.2012 | | SIZE A4 | DRAWING NUMBER - |
| DESIGNED BY hh | | DATE 16.05.2012 | | SCALE 1:2 | WEIGHT (g) - |
| | | | | SHEET | 1 / 1 |

1

1

D A