



Chipsmall Limited consists of a professional team with an average of over 10 year of expertise in the distribution of electronic components. Based in Hongkong, we have already established firm and mutual-benefit business relationships with customers from,Europe,America and south Asia,supplying obsolete and hard-to-find components to meet their specific needs.

With the principle of “Quality Parts,Customers Priority,Honest Operation,and Considerate Service”,our business mainly focus on the distribution of electronic components. Line cards we deal with include Microchip,ALPS,ROHM,Xilinx,Pulse,ON,Everlight and Freescale. Main products comprise IC,Modules,Potentiometer,IC Socket,Relay,Connector.Our parts cover such applications as commercial,industrial, and automotives areas.

We are looking forward to setting up business relationship with you and hope to provide you with the best service and solution. Let us make a better world for our industry!



## Contact us

Tel: +86-755-8981 8866 Fax: +86-755-8427 6832

Email & Skype: info@chipsmall.com Web: www.chipsmall.com

Address: A1208, Overseas Decoration Building, #122 Zhenhua RD., Futian, Shenzhen, China



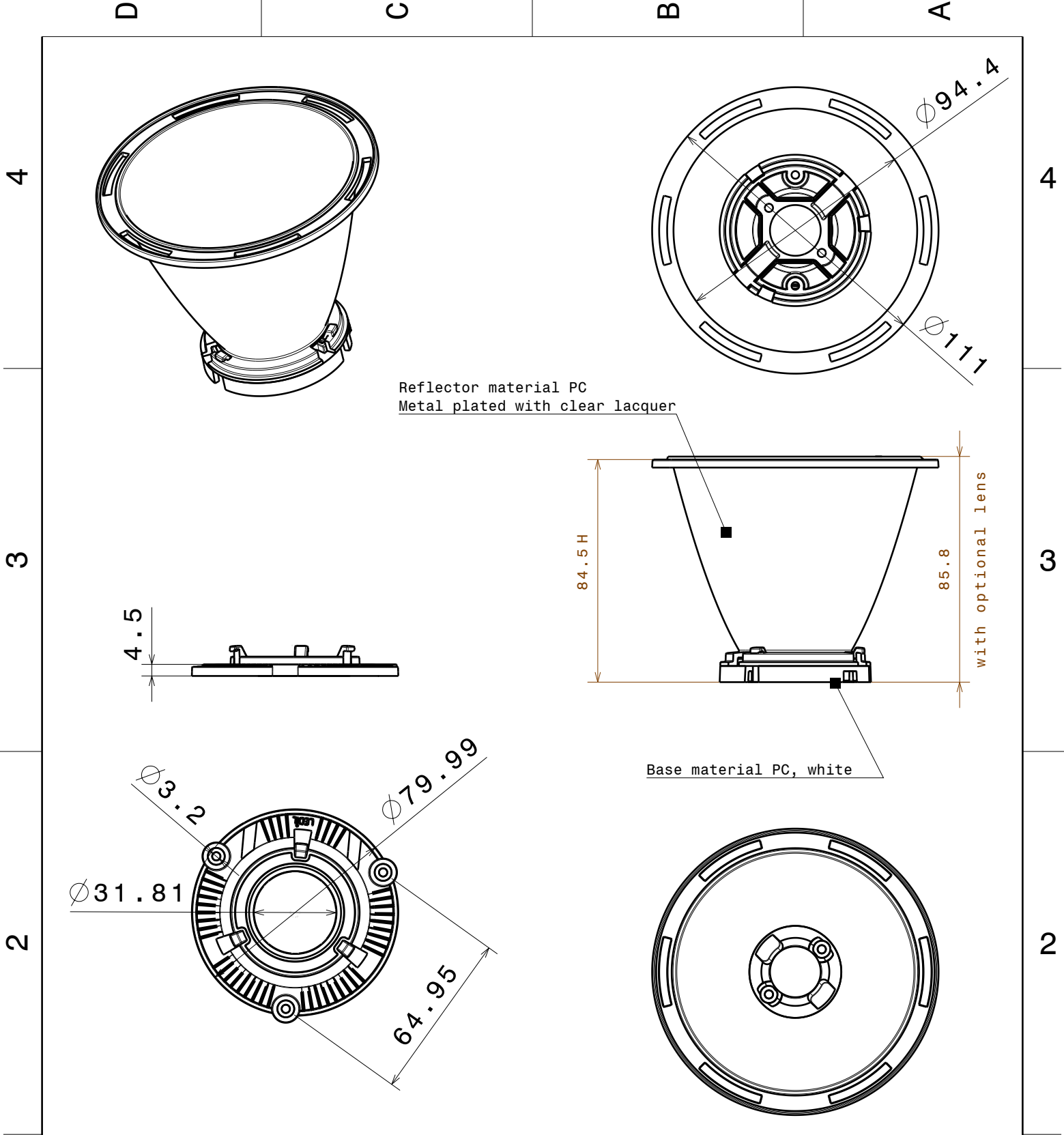
## DETAILS

<b>Product Number</b>	CN13601_LENA-SS-DL
<b>Family</b>	Lena
<b>Type</b>	RefPack
<b>Color</b>	metal
<b>Diameter</b>	111 mm
<b>Height</b>	80 mm
<b>Style</b>	round
<b>Optic Material</b>	PC
<b>Holder Material</b>	
<b>Fastening</b>	socket, screw
<b>Status</b>	production ready
<b>ROHS Compliant</b>	Yes
<b>Date Updated</b>	25/06/2014



## OPTICAL PROPERTIES

LED	Viewing Angle	Light Beam	Efficiency	cd/lm	Connector
BXRA RS	25 deg	Smooth spo...	76 %	2.780	-



This drawing is our property.  
It can't be reproduced  
or communicated without  
our written agreement.



Ledil Oy  
Salorankatu 10  
FIN-24240 SALO  
Finland

DRAWING TITLE

Datasheet Lena-BXRA-RS-assembly

DRAWN BY  
ah

DATE  
10.1.2012

CHECKED BY  
pl

DATE  
10.1.2012

SIZE  
A4

DRAWING NUMBER

REV  
2

DESIGNED BY  
pl

DATE  
01.04.2011

SCALE 1:2

WEIGHT (g)

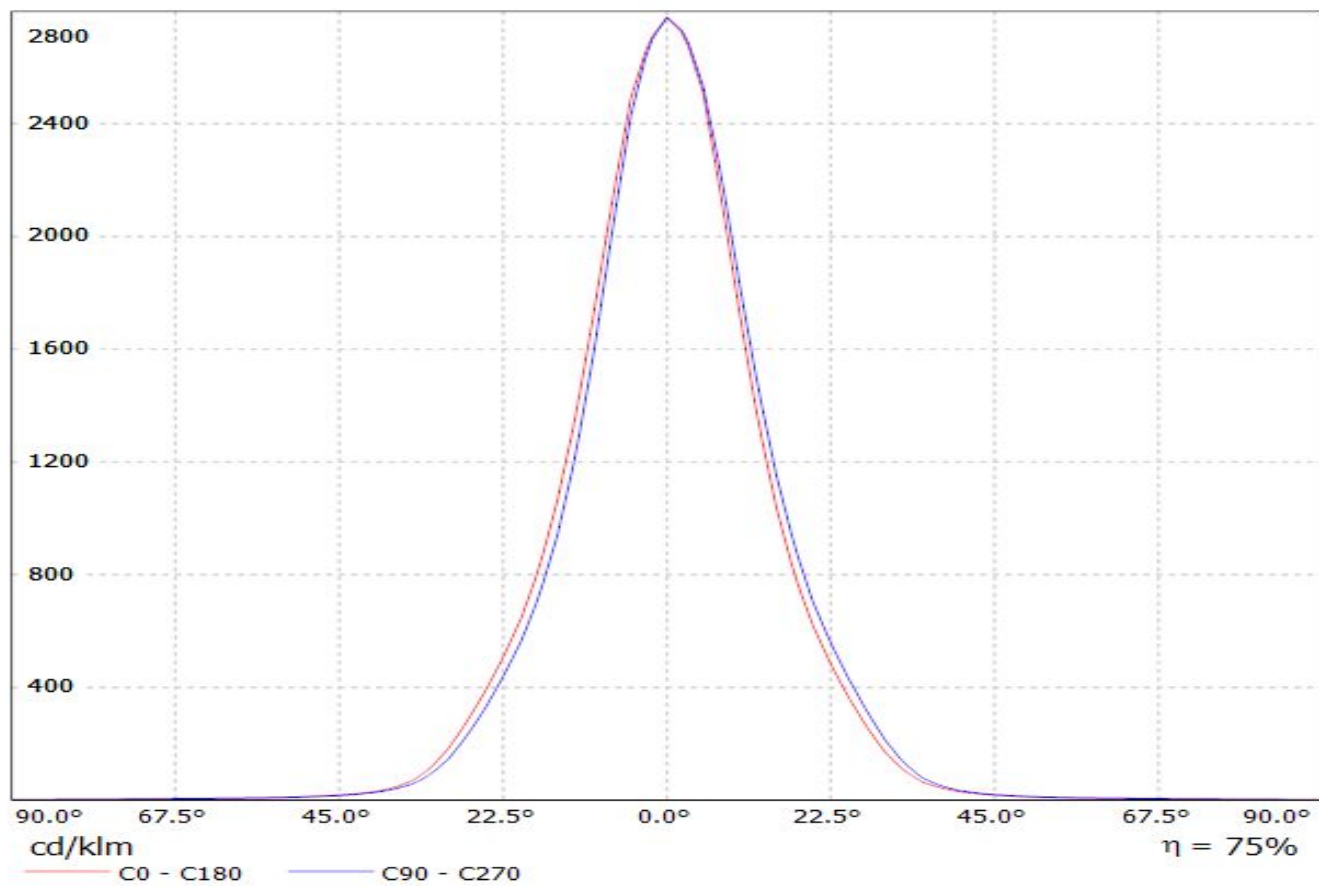
SHEET 1/1

D

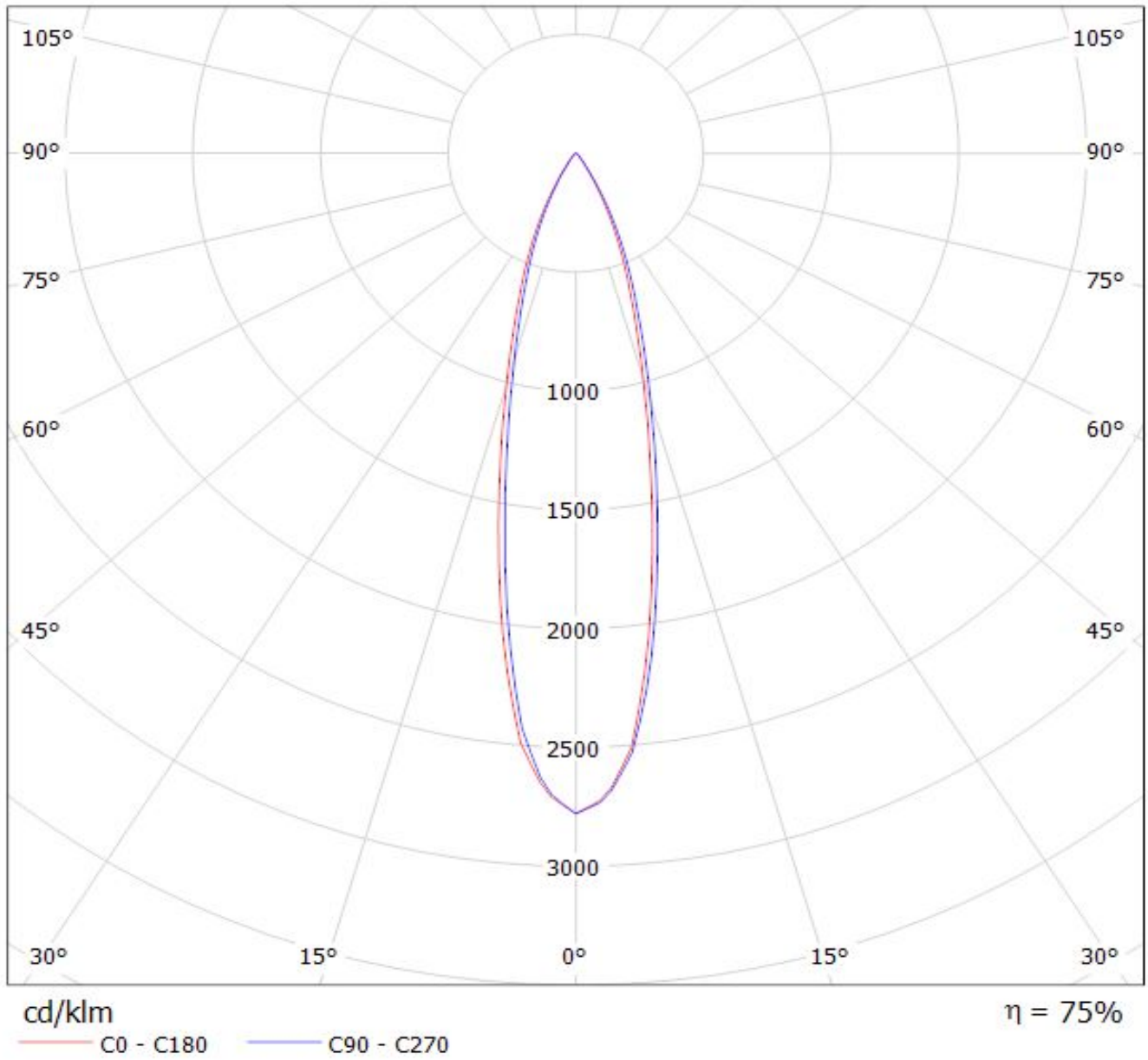
A



Luminaire: LEDiL Oy CN13601\_LENA-SS-DL\_(BXRA\_RS)  
Lamps: 1 x BXRA\_RS\_592.15lm@250mA\_P=5.27503\_I=249.8mA



Luminaire: LEDiL Oy CN13601\_LENA-SS-DL\_(BXRA\_RS)  
Lamps: 1 x BXRA\_RS\_592.15lm@250mA\_P=5.27503\_I=249.8mA



**NOTE: The typical divergence will be changed by different color, chip size and chip position tolerance. The typical total divergence is the full angle measured where the luminous intensity is half of the peak value.**