



Chipsmall Limited consists of a professional team with an average of over 10 year of expertise in the distribution of electronic components. Based in Hongkong, we have already established firm and mutual-benefit business relationships with customers from,Europe,America and south Asia,supplying obsolete and hard-to-find components to meet their specific needs.

With the principle of “Quality Parts,Customers Priority,Honest Operation,and Considerate Service”,our business mainly focus on the distribution of electronic components. Line cards we deal with include Microchip,ALPS,ROHM,Xilinx,Pulse,ON,Everlight and Freescale. Main products comprise IC,Modules,Potentiometer,IC Socket,Relay,Connector.Our parts cover such applications as commercial,industrial, and automotives areas.

We are looking forward to setting up business relationship with you and hope to provide you with the best service and solution. Let us make a better world for our industry!



Contact us

Tel: +86-755-8981 8866 Fax: +86-755-8427 6832

Email & Skype: info@chipsmall.com Web: www.chipsmall.com

Address: A1208, Overseas Decoration Building, #122 Zhenhua RD., Futian, Shenzhen, China



DETAILS

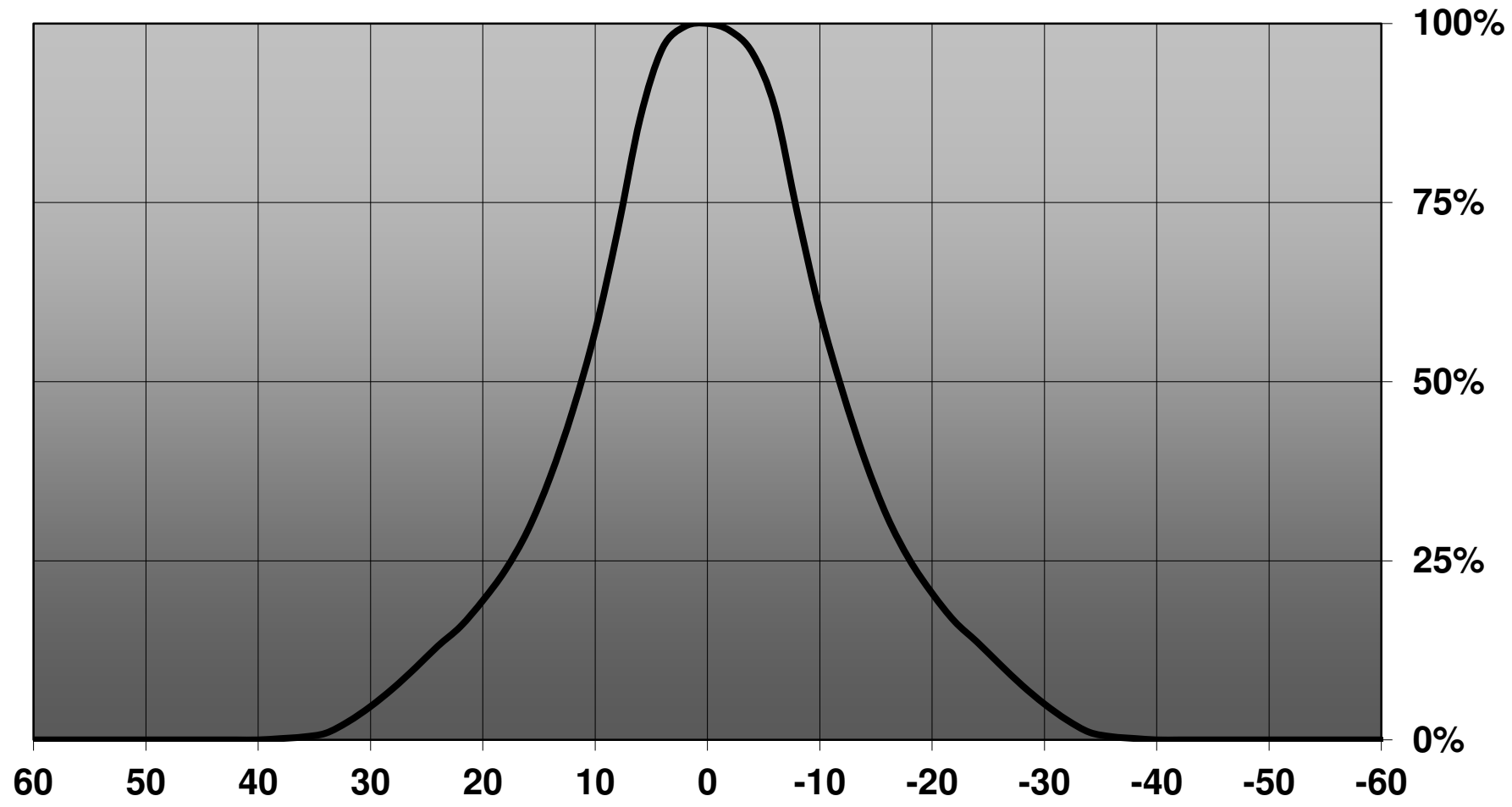
Product Number	CN13649_LENA-SS
Family	Lena
Type	RefPack
Color	metal
Diameter	111 mm
Height	87,6 mm
Style	round
Optic Material	
Holder Material	
Fastening	
Status	production ready
ROHS Compliant	Yes
Date Updated	19/01/2015

OPTICAL PROPERTIES

LED	Viewing	Light	Effi-	cd/lm	Connector
	Angle	Beam	ciency		
CLL04x/CLU04x	22 deg	Smooth spo...82 %		3.850	-
CLU730/731	13 deg	Smooth spo...78 %		7.100	-
LUXEON CoB 1216	21 deg	Smooth spo...87 %		4.250	LEDiL: LEDiL
CXM-22	23 deg	Smooth spo...81 %		3.800	LEDiL: LEDiL
COB D Series LES 22 mm	22 deg	Smooth spo...87 %		4.200	-
ZC25/40	21 deg	Smooth spo...80 %		3.820	-



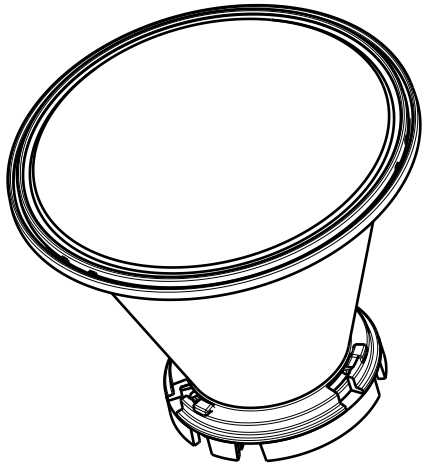
Relative intensity of CN13649_LENA-SS_(CXM-22)



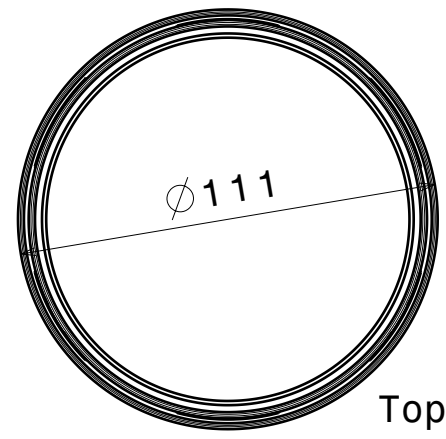
— C1 0-180

D C B A

4



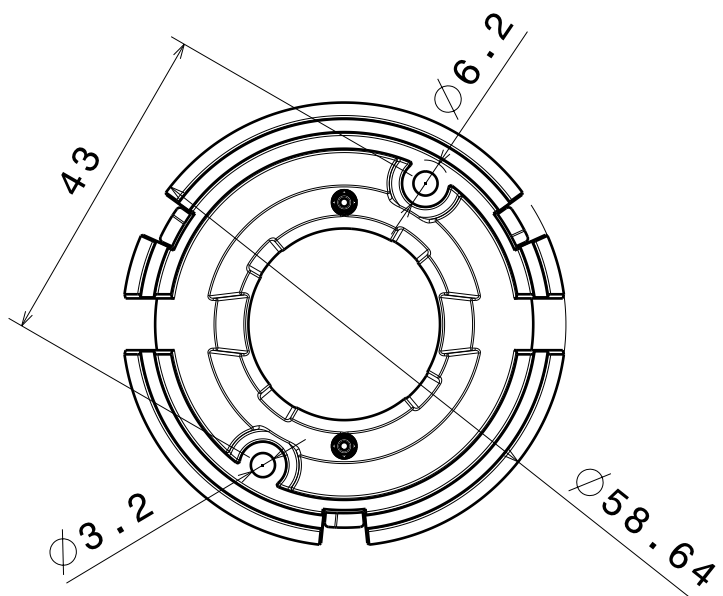
Isometric view



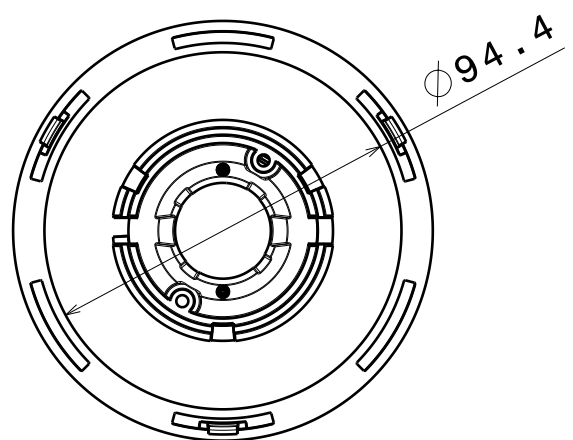
Top view

4

3



Base part
Scale: 1:1

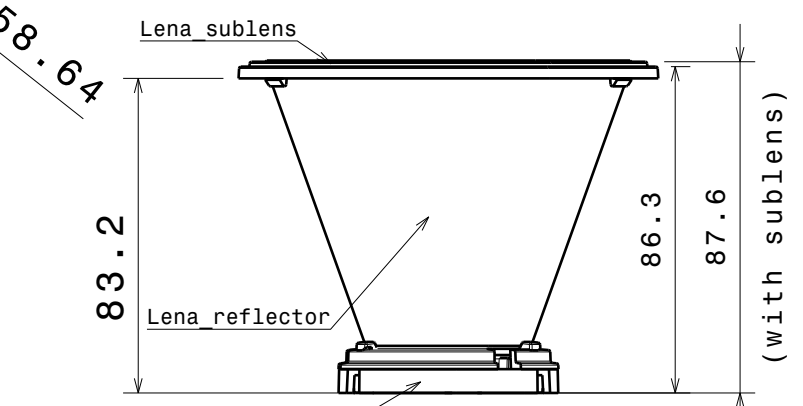


Bottom view

3

2

- Material:
Sublens
-PMMA
- Reflector:
-PC
-Metal coating and clear lacquer
- Holder base:
-PC
-Color: white



Lena-STD-Base CLL040

Front view

2

Tolerances if not otherwise shown
According to DIN ISO 2768-1
Linear measures:
up to 30mm class M, otherwise class C
According to DIN ISO 2768-2
Form and position: class L

LEDiL LediL Oy
Salorankatu 10
FIN 24240 SALO
Finland

THIRD ANGLE PROJECTION:

DRAWING TITLE
LENA-CLL040 assembly datasheet

This drawing is the property of LEDiL Oy. It may not be reproduced, copied or communicated without a written agreement with LEDiL Oy.

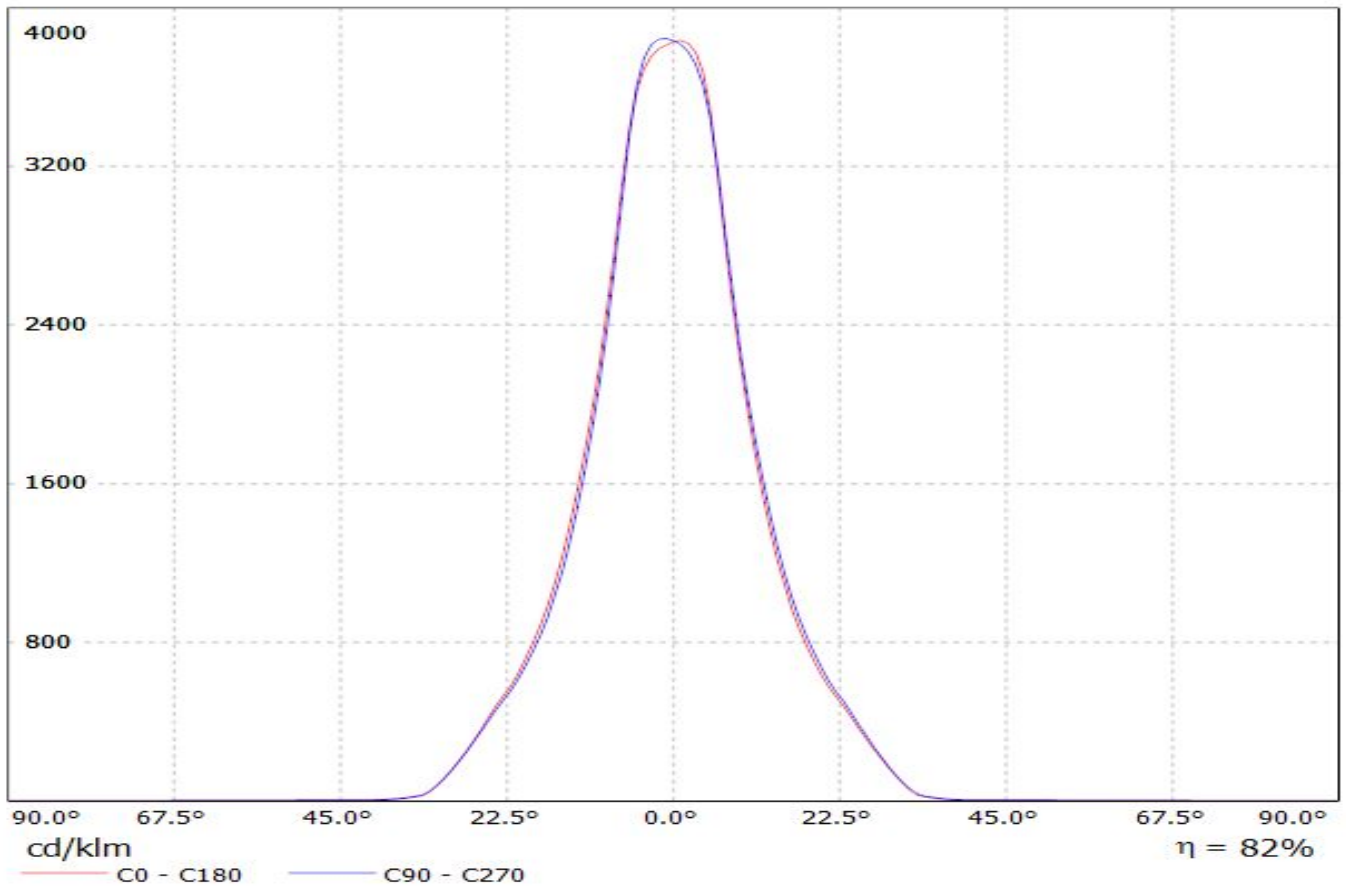
SIZE	PART NUMBER		
A4	-		

SCALE	1:1	WEIGHT	-	SHEET	1/1
-------	-----	--------	---	-------	-----

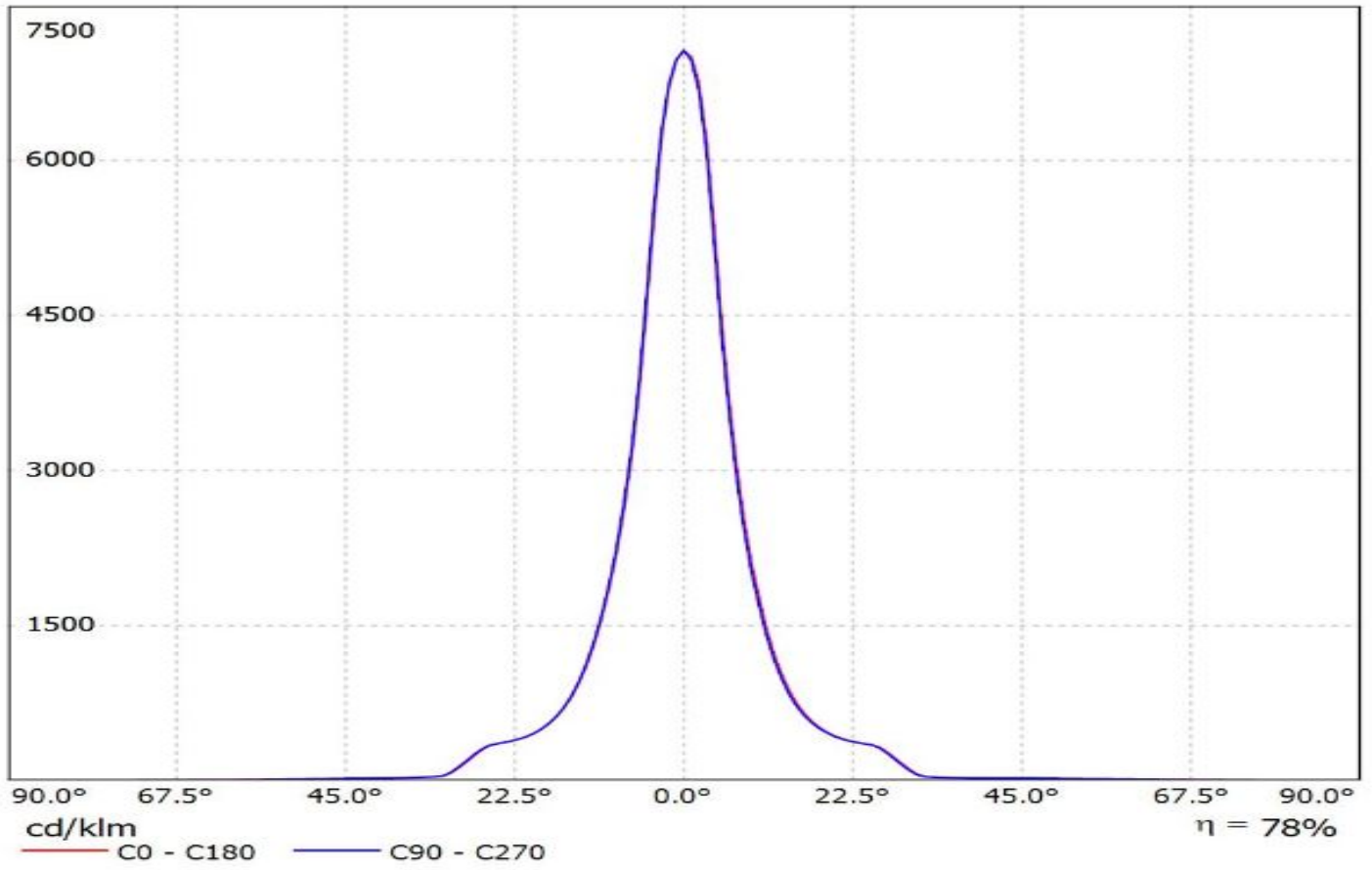
1

D A

Luminaire: LEDiL Oy CN13649_LENA-SS_(CLL040) Eff.82.4%
Lamps: 1 x CITIZEN_CLL040_629.691lm@250mA_P=7.98885W_I=249.8mA

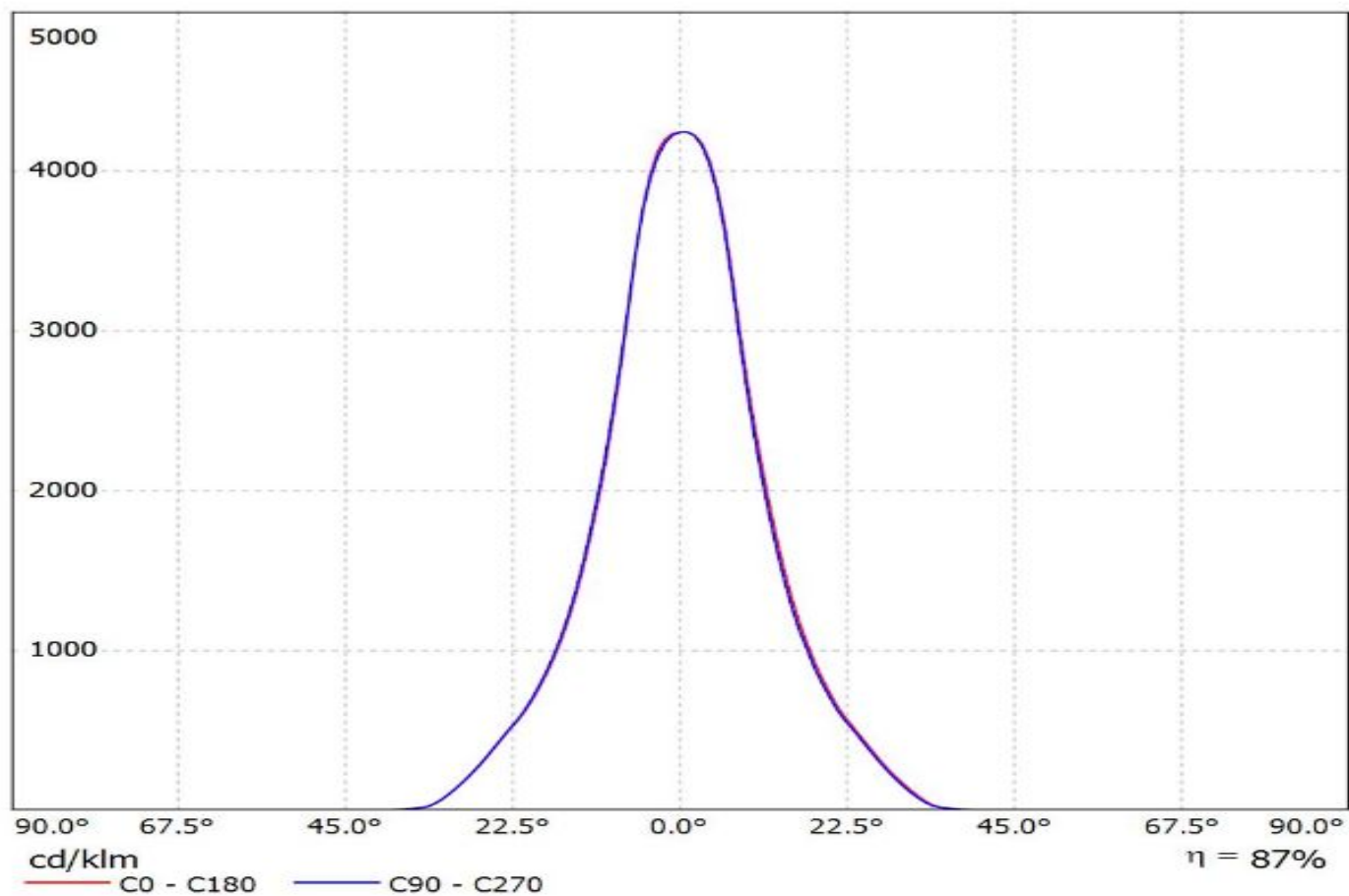


Luminaire: Ledil CN13649_LENA-SS_(CITIZEN_CLU730)
Lamps: 1 x CITIZEN_CLU730_(C12692_LENA-STD-BASE-CLL040)
_783.884lm@250mA_P=8.5W_I=0.25A



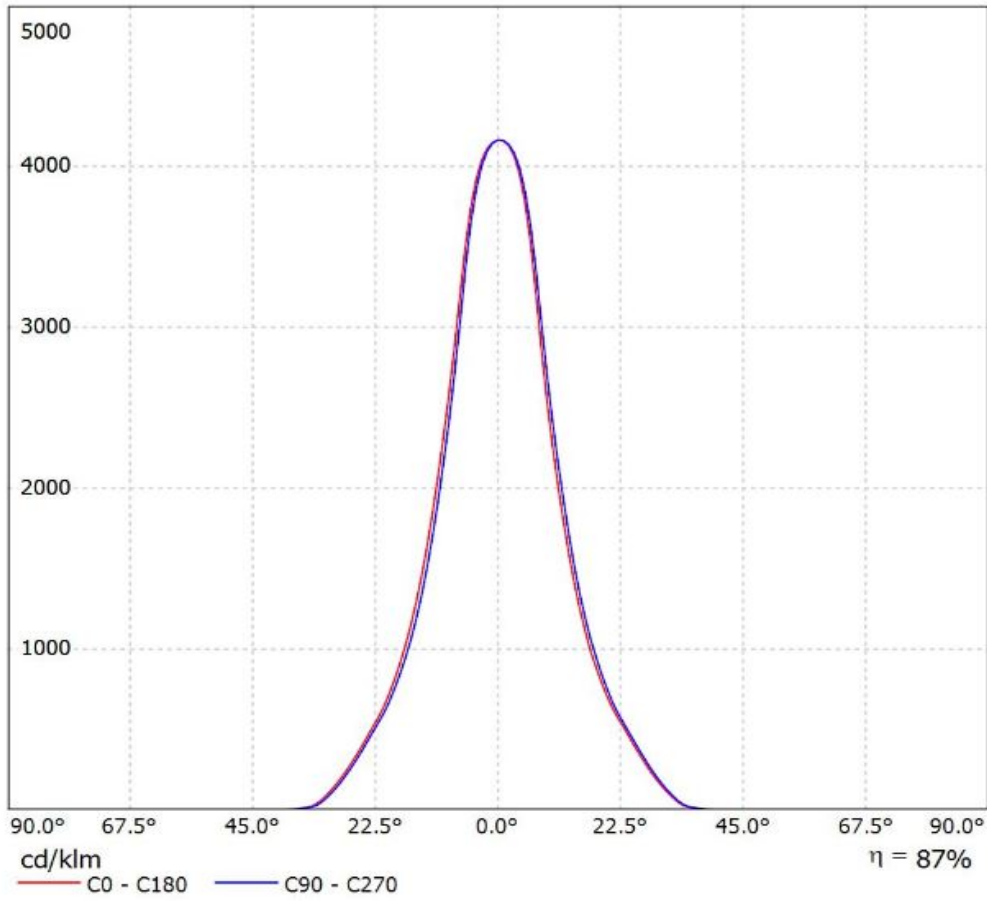
Luminaire: Ledil CN13649_LENA-SS_(CoB_1216)

Lamps: 1 x Luxeon_CoB_1216_(L2C2-40801216E2300)_1399.13lm@250mA_P=8.0015W_I=0.25A

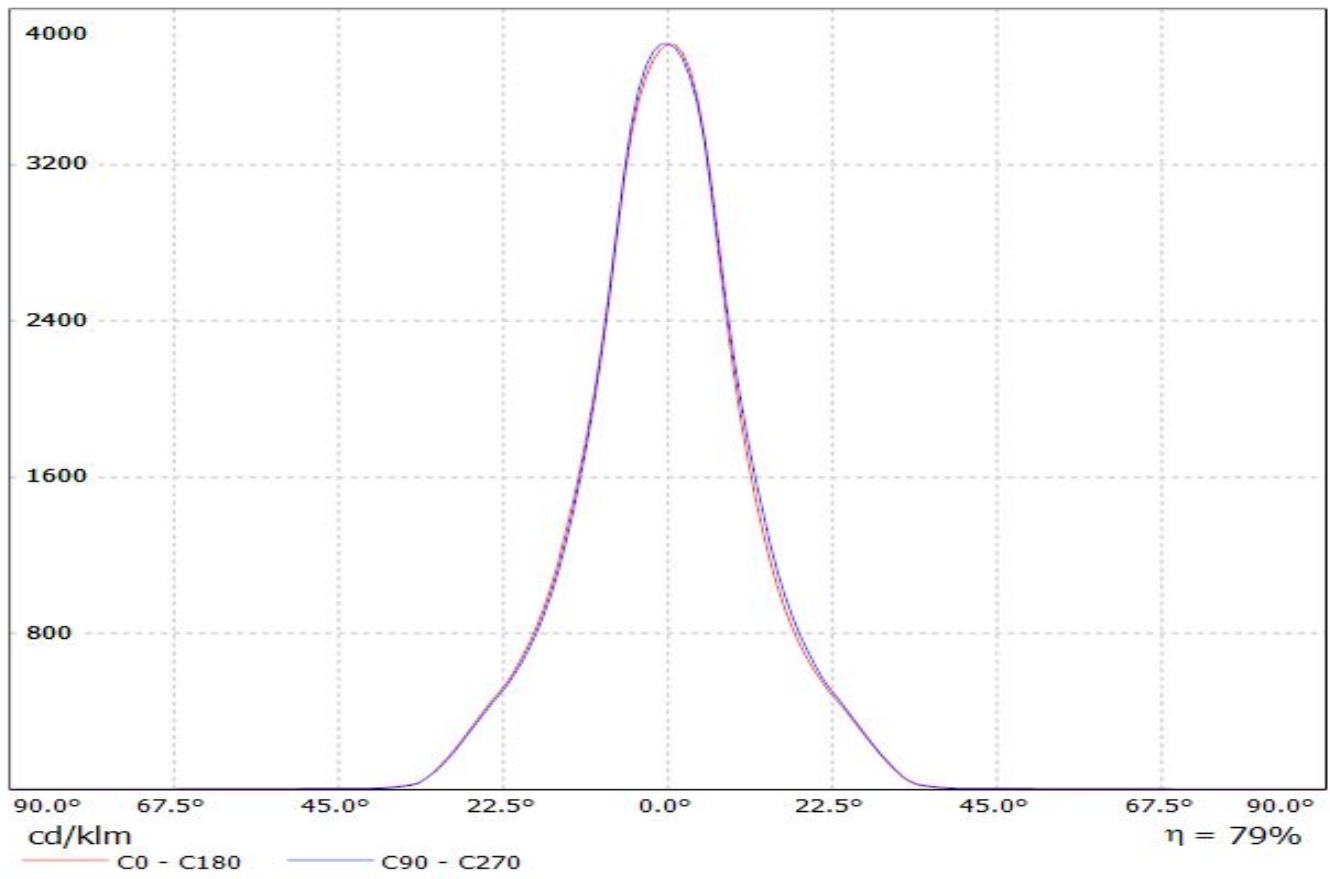


Luminaire: Ledil CN13649_LENA-SS_(COB_D_LES_22mm)

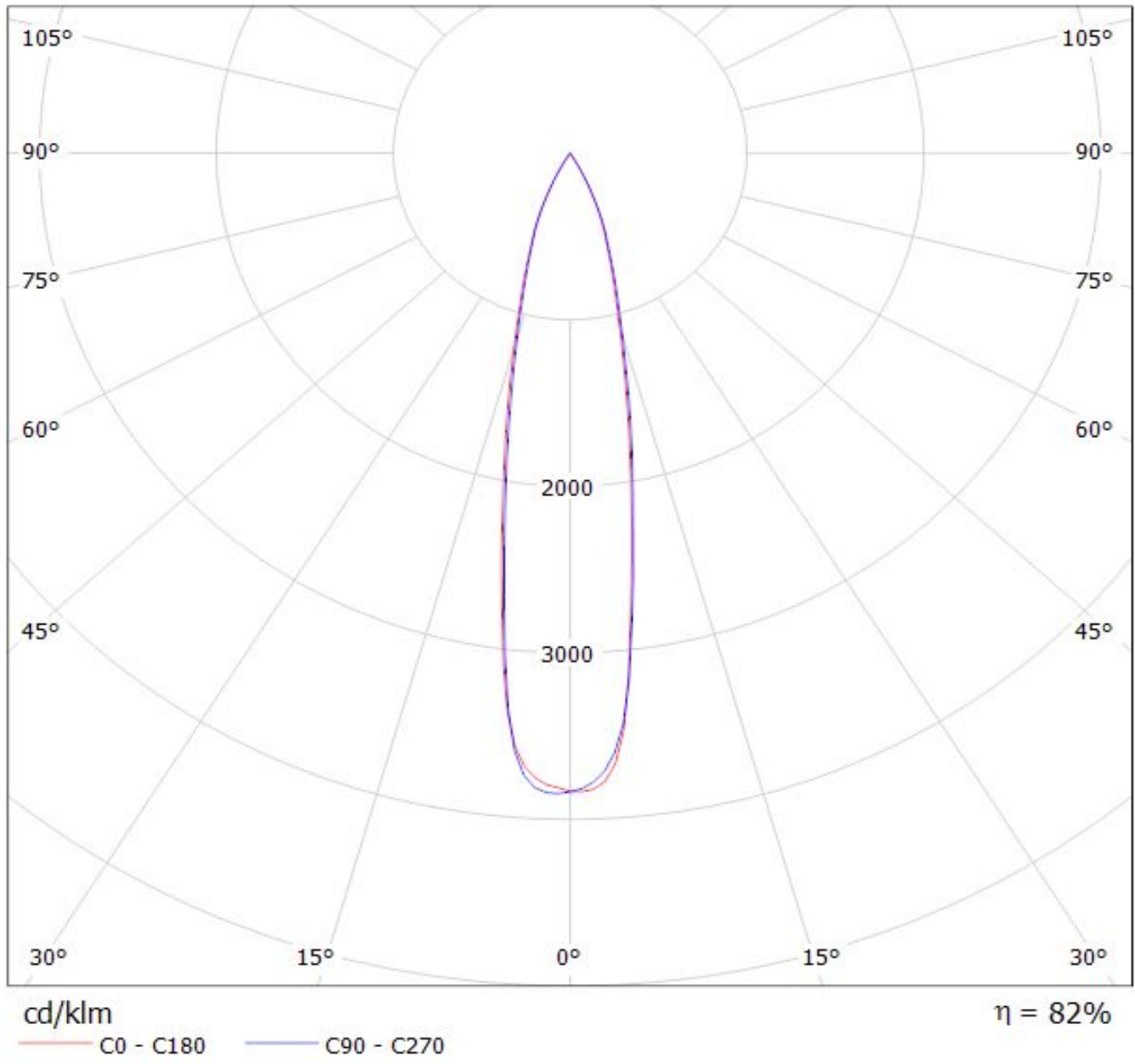
Lamps: 1 x Samsung_COB_D_LES_22mm_(SPHWWAHDNK25YZT3D1)+C12692_1511.79lm@250mA_CCT=4000K_P=8.0675W_I=0.250A



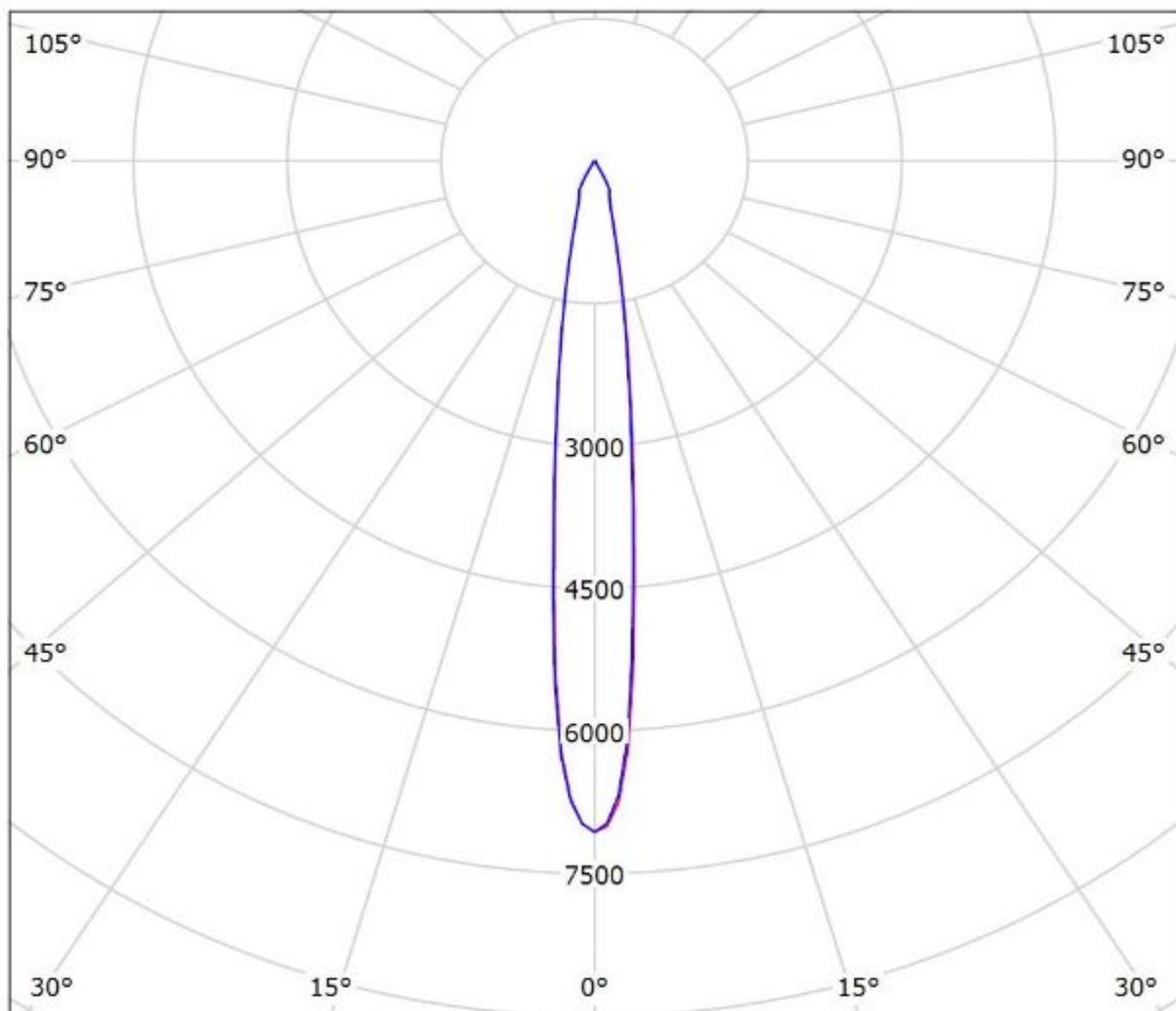
Luminaire: LEDiL Oy CN13649_LENA-SS_(SEOUL_ZC40) Eff.80%
Lamps: 1 x SEOUL_ZC40_1148.53lm@250mA_P=8.15172W_I=249.8mA



Luminaire: LEDiL Oy CN13649_LENA-SS_(CLL040) Eff.82.4%
Lamps: 1 x CITIZEN_CLL040_629.691lm@250mA_P=7.98885W_I=249.8mA



Luminaire: Ledil CN13649_LENA-SS_(CITIZEN_CLU730)
Lamps: 1 x CITIZEN_CLU730_(C12692_LENA-STD-BASE-CLL040)
_783.884lm@250mA_P=8.5W_I=0.25A



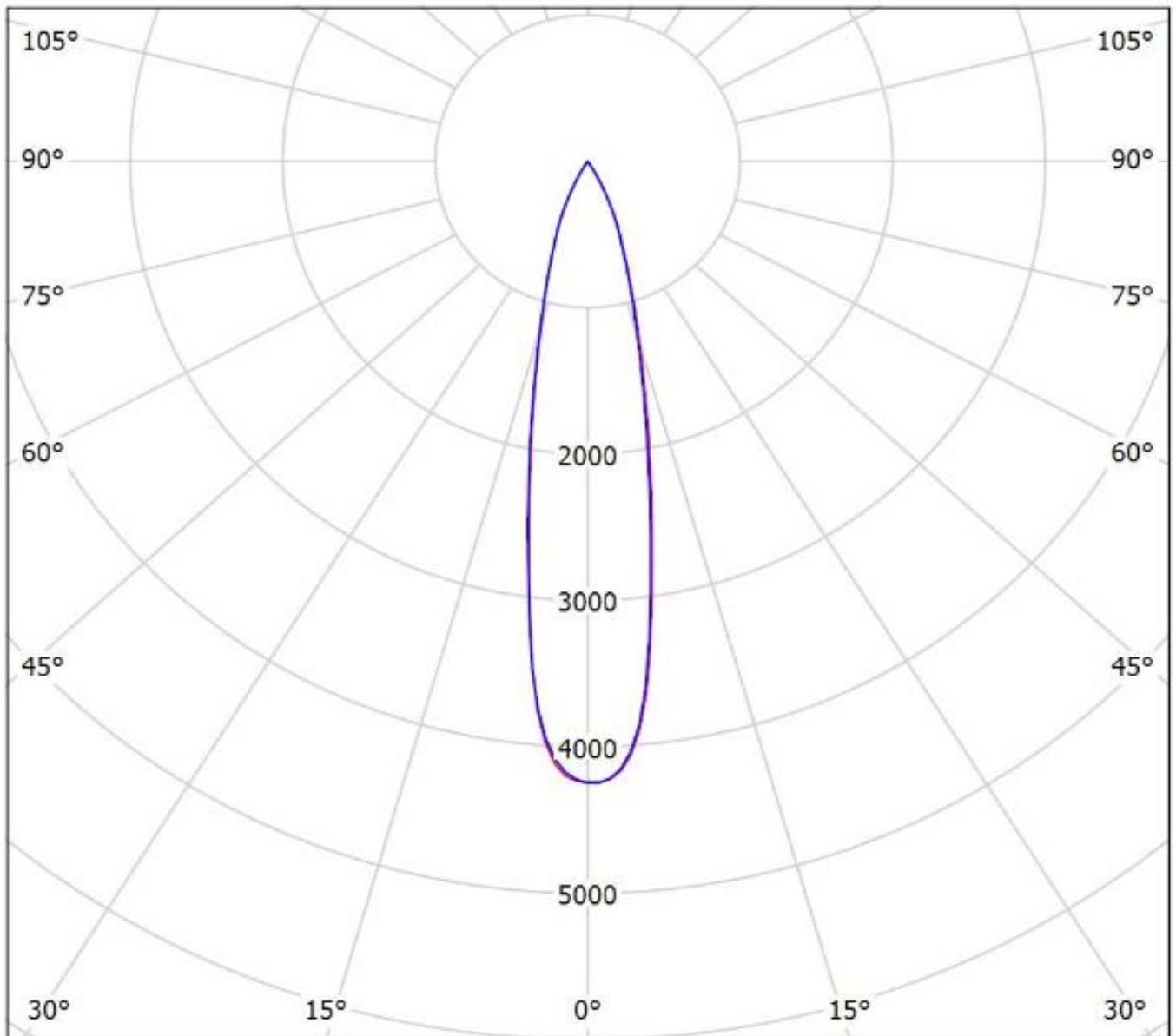
cd/klm

— C0 - C180 — C90 - C270

$\eta = 78\%$

Luminaire: Ledil CN13649_LENA-SS_(CoB_1216)

Lamps: 1 x Luxeon_CoB_1216_(L2C2-40801216E2300)_1399.13lm@250mA_P=8.0015W_I=0.25A



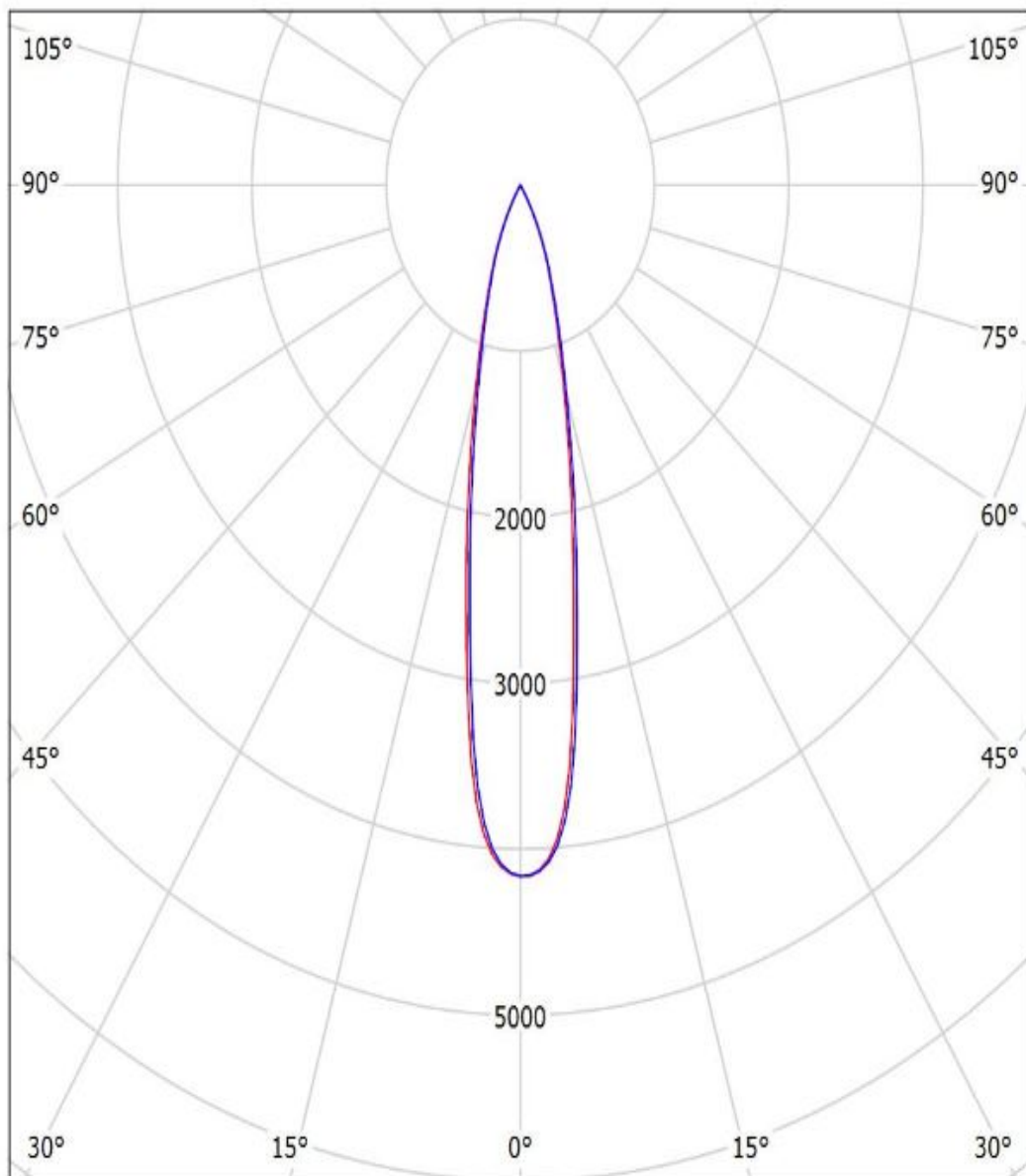
cd/klm

— C0 - C180 — C90 - C270

$\eta = 87\%$

Luminaire: Ledil CN13649_LENA-SS_(COB_D_LES_22mm)

Lamps: 1 x Samsung_COB_D_LES_22mm_(SPHWHADNK25YZT3D1)+C12692_1511.79lm@250mA_CCT=4000K_P=8.0675W_I=0.250A

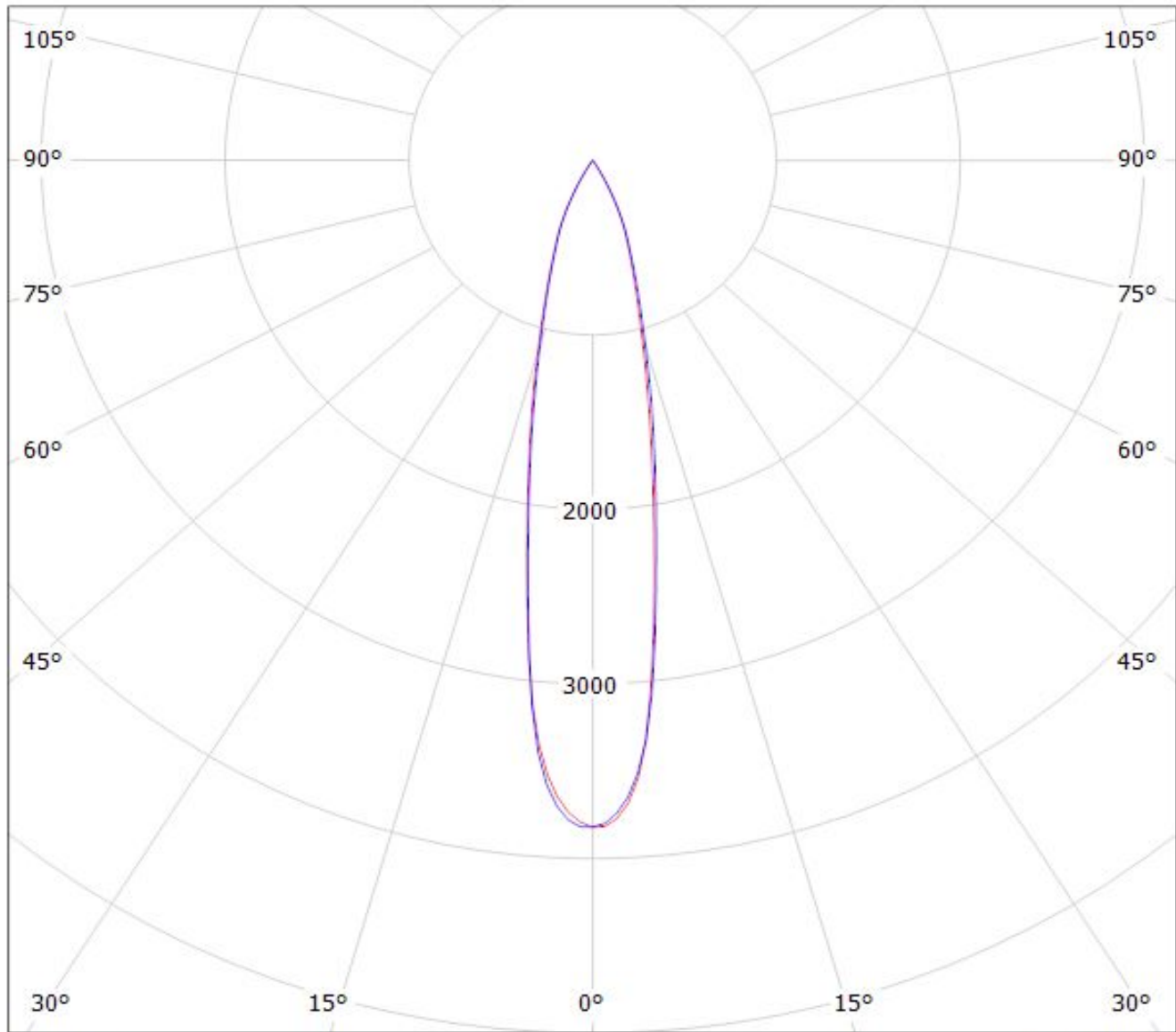


cd/klm

— C0 - C180 — C90 - C270

$\eta = 87\%$

Luminaire: LEDiL Oy CN13649_LENA-SS_(SEOUL_ZC40) Eff.80%
Lamps: 1 x SEOUL_ZC40_1148.53lm@250mA_P=8.15172W_I=249.8mA



cd/klm

$\eta = 79\%$

— C0 - C180

— C90 - C270

NOTE: The typical divergence will be changed by different color, chip size and chip position tolerance. The typical total divergence is the full angle measured where the luminous intensity is half of the peak value.

GENERAL INFORMATION

- Product series especially designed & optimized for series of LEDs.
- Special care taken to make light distribution as uniform as possible.

Note! Due to use of high power COB's with this product, special attention to proper thermal design is highly recommended. LEDiL has no liability for direct, indirect or consecutive damages arising from the LEDiL products being used outside of the recommended temperature range.