



Chipsmall Limited consists of a professional team with an average of over 10 year of expertise in the distribution of electronic components. Based in Hongkong, we have already established firm and mutual-benefit business relationships with customers from,Europe,America and south Asia,supplying obsolete and hard-to-find components to meet their specific needs.

With the principle of “Quality Parts,Customers Priority,Honest Operation,and Considerate Service”,our business mainly focus on the distribution of electronic components. Line cards we deal with include Microchip,ALPS,ROHM,Xilinx,Pulse,ON,Everlight and Freescale. Main products comprise IC,Modules,Potentiometer,IC Socket,Relay,Connector.Our parts cover such applications as commercial,industrial, and automotives areas.

We are looking forward to setting up business relationship with you and hope to provide you with the best service and solution. Let us make a better world for our industry!



Contact us

Tel: +86-755-8981 8866 Fax: +86-755-8427 6832

Email & Skype: info@chipsmall.com Web: www.chipsmall.com

Address: A1208, Overseas Decoration Building, #122 Zhenhua RD., Futian, Shenzhen, China



DETAILS

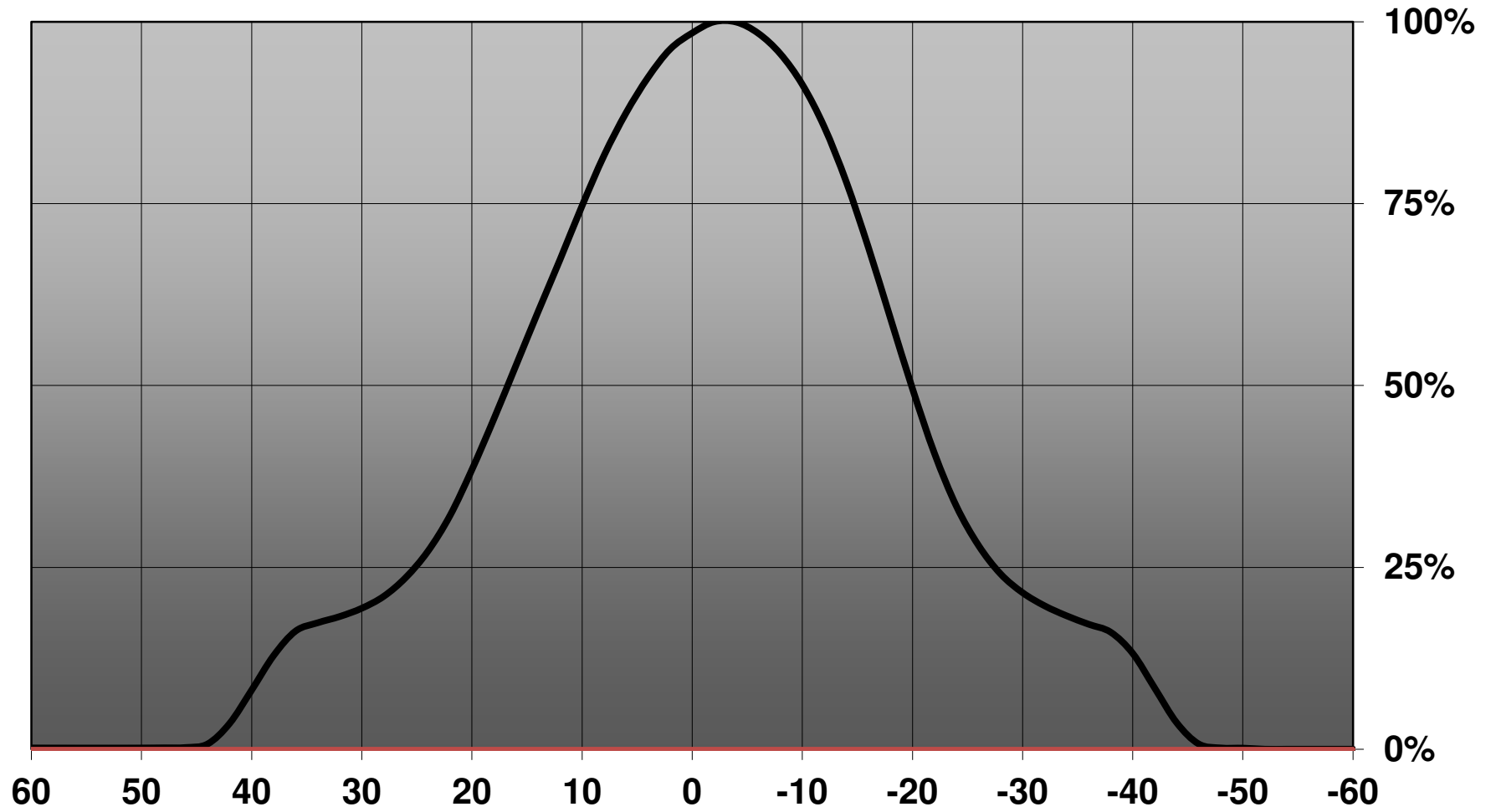
Product Number	CN13766_MIRELLA-50-W-PF
Family	Mirella
Type	RefPack
Color	metal
Diameter	49,9 mm
Height	25,1 mm
Style	round
Optic Material	
Holder Material	
Fastening	
Status	production ready
ROHS Compliant	Yes
Date Updated	1/11/2016



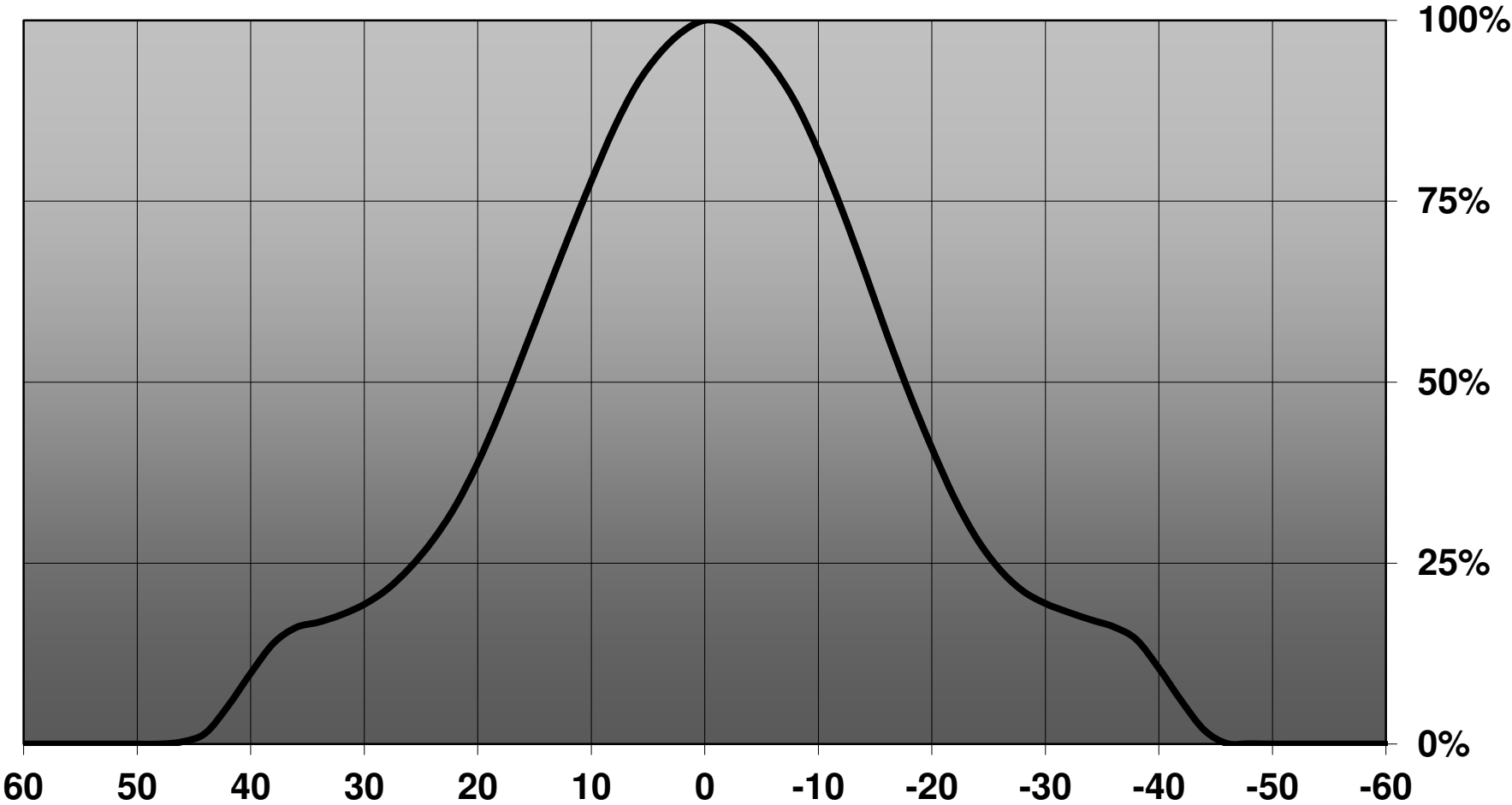
OPTICAL PROPERTIES

LED	Viewing	Light	Effi-		Connector
	Angle	Beam	ciency	cd/lm	
V6 Gen6	39 deg	Wide	87 %	1.500	-
V8 Gen6	38 deg	Wide	87 %	1.600	-
CXA/B 15xx	41 deg	Wide	90 %	1.400	-
CXA/B 13xx	37 deg	Wide	86 %	1.800	-
LUXEON K4	sim: 46	Wide	sim: 88 %	sim: 1.260	-
LUXEON CoB 1202s	35 deg	Wide	88 %	1.900	LEDiL: LEDiL
LUXEON CoB Compact	sim: 35	Wide	sim: 88 %	sim: 1.900	LEDiL: LEDiL
Soleriq P6	36 deg	Wide	87 %	1.900	-
Soleriq P9	42 deg	Wide	86 %	1.500	-
STARK SLE PURE G3 LES10	39 deg	Wide	86 %	1.600	-

Relative intensity of CN13766_MIRELLA-50-W-PF_(CXA1304)



Relative intensity of CN13766_MIRELLA-50-W-PF_(Luxeon_CoB_mini)



— 1: 0-180

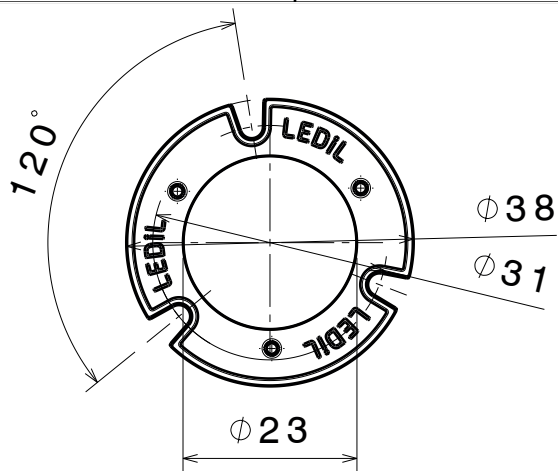
D

C

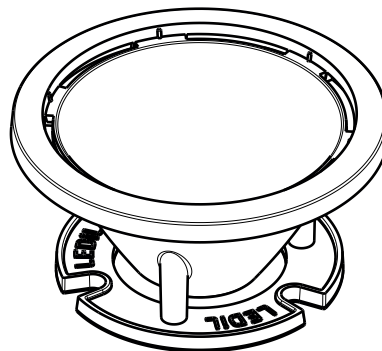
B

A

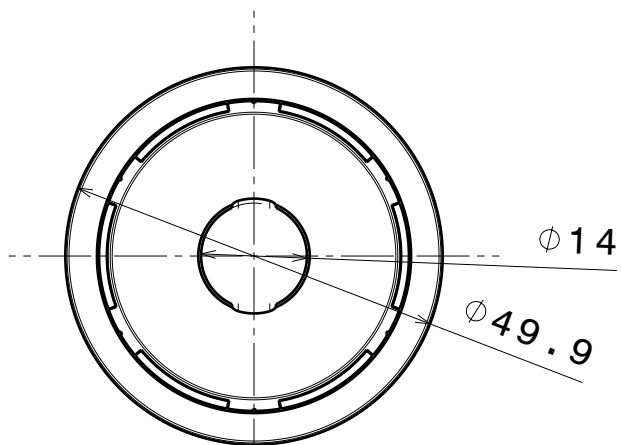
NOTE: It is recommended to use glue like DELO-PUR 9895 for pin fastening.
[http://www.delo.de/fileadmin/datasheet/DELO-PUR_9895_\(TIDB-GB\).pdf](http://www.delo.de/fileadmin/datasheet/DELO-PUR_9895_(TIDB-GB).pdf)



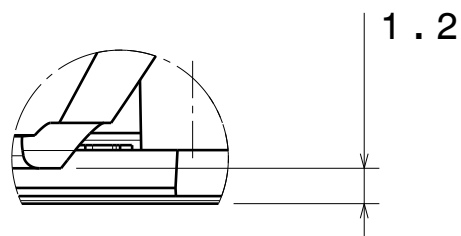
Front view



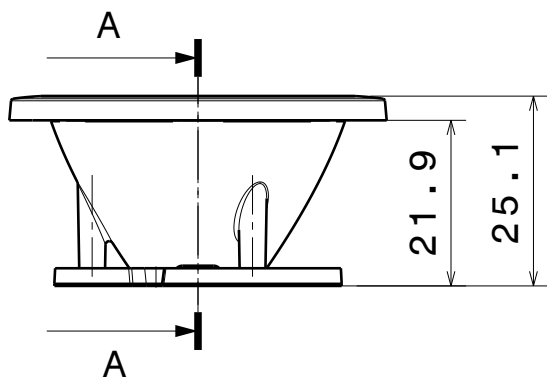
Isometric view



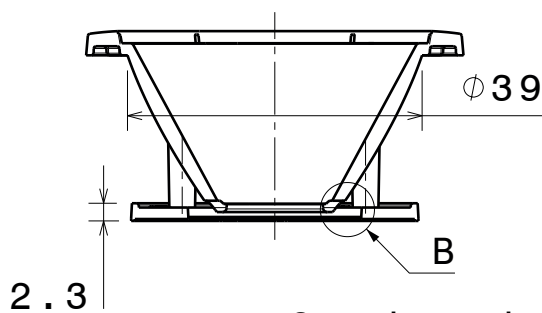
Top view



Detail B



Front view



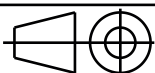
Section view A-A

Tolerances if not otherwise shown
 According to DIN ISO 2768-1
 Linear measures:
 Up to 30mm class M, otherwise class C.
 According to DIN ISO 2768-2
 Form and position: class L

LEDiL

Ledil Oy
 Salorankatu 10
 FIN 24240 SALO
 Finland

THIRD ANGLE PROJECTION:



DRAWING TITLE

MIRELLA-PF CXA15 Datasheet

This drawing is the property
 of LEDiL Oy. It may not be
 reproduced, copied or
 communicated without a written
 agreement with LEDiL Oy.

SIZE PART NUMBER

A4

-

SCALE 1:1 WEIGHT

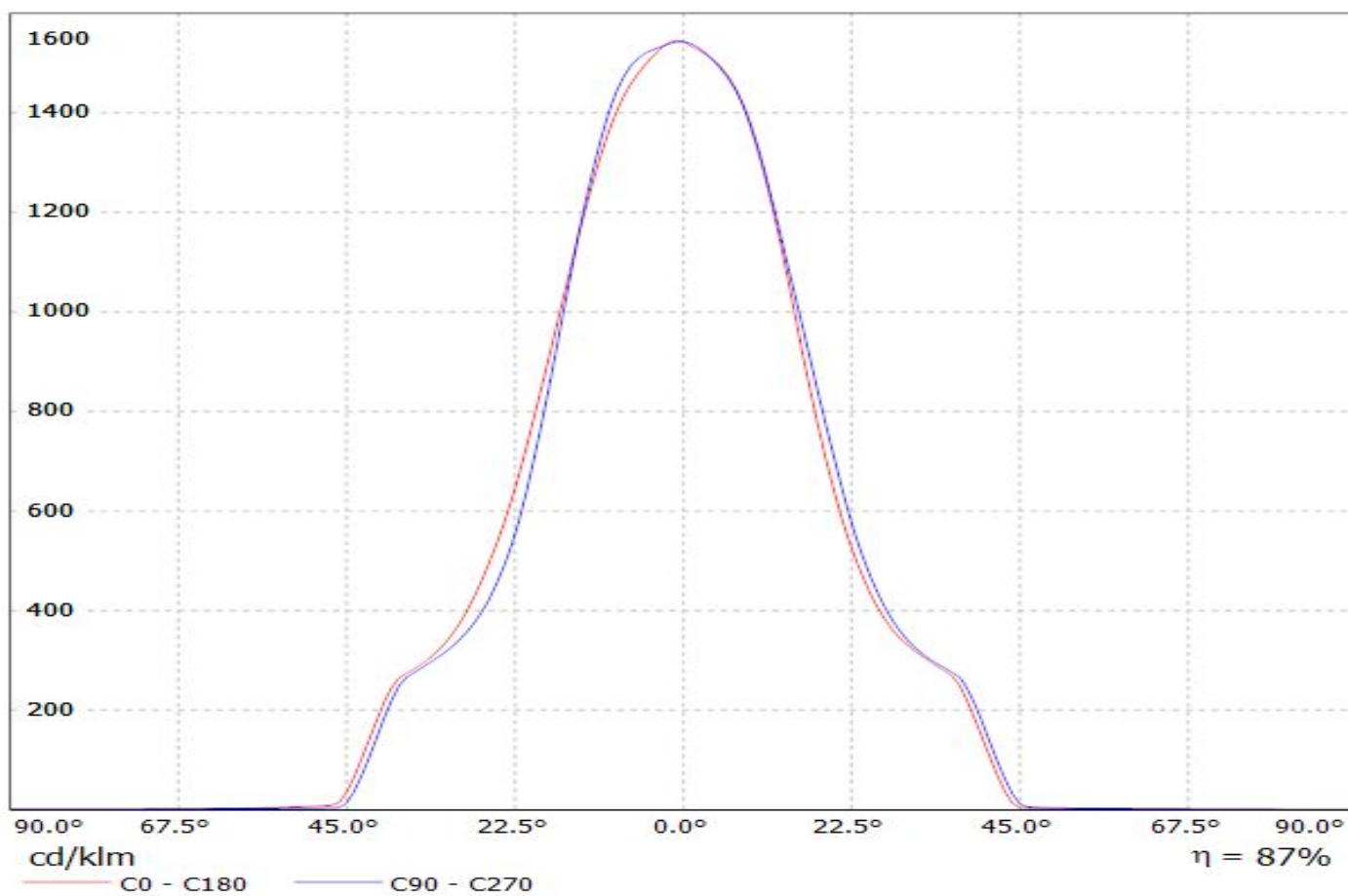
-

SHEET 1/1

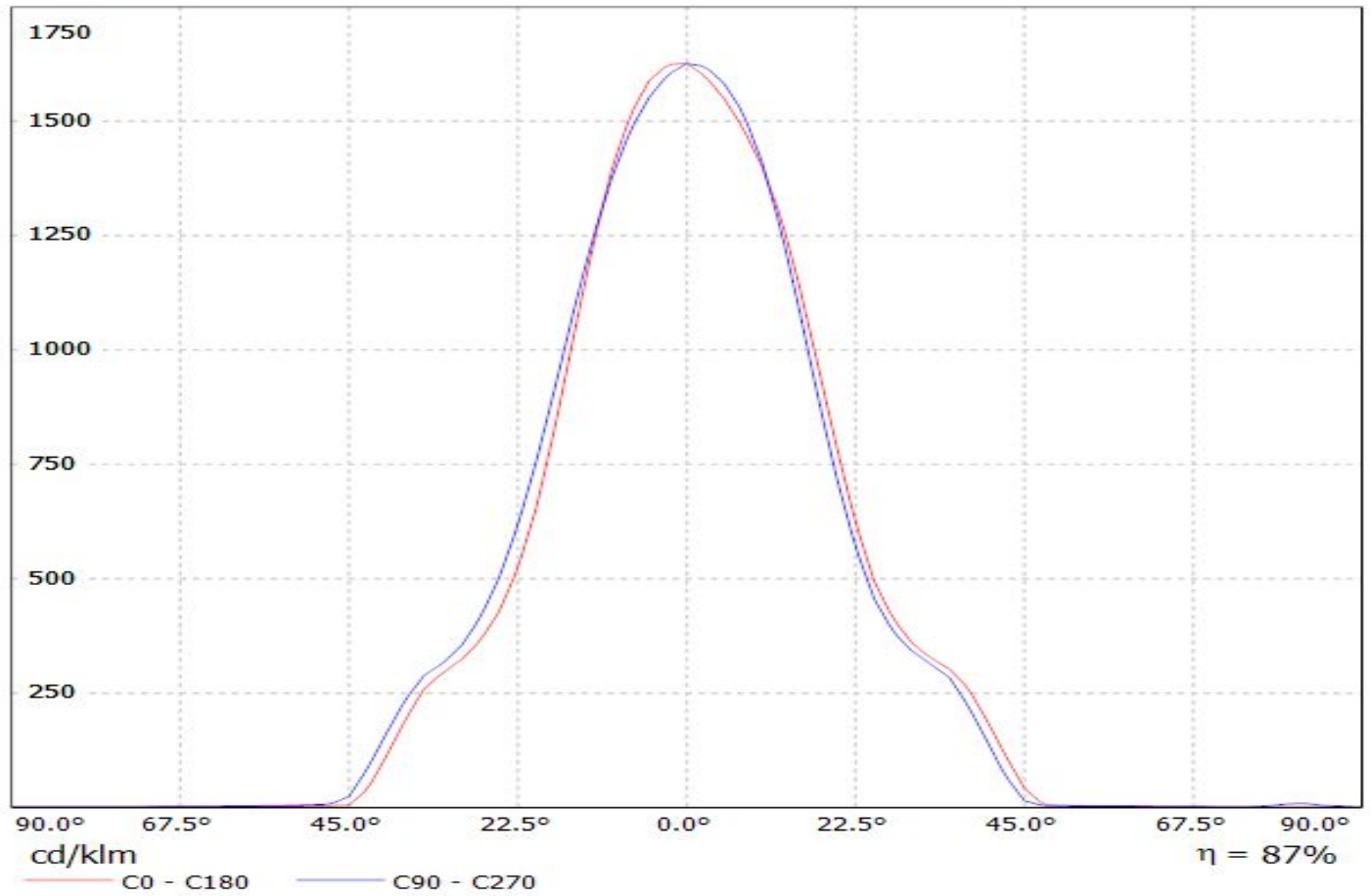
D

A

Luminaire: LEDiL Oy CN13766_MIRELLA-50-W-PF_(V6) Eff.87.0%
Lamps: 1 x BRIDGELUX_V6_488.215lm@250mA_P=5.22041W_I=249.9mA

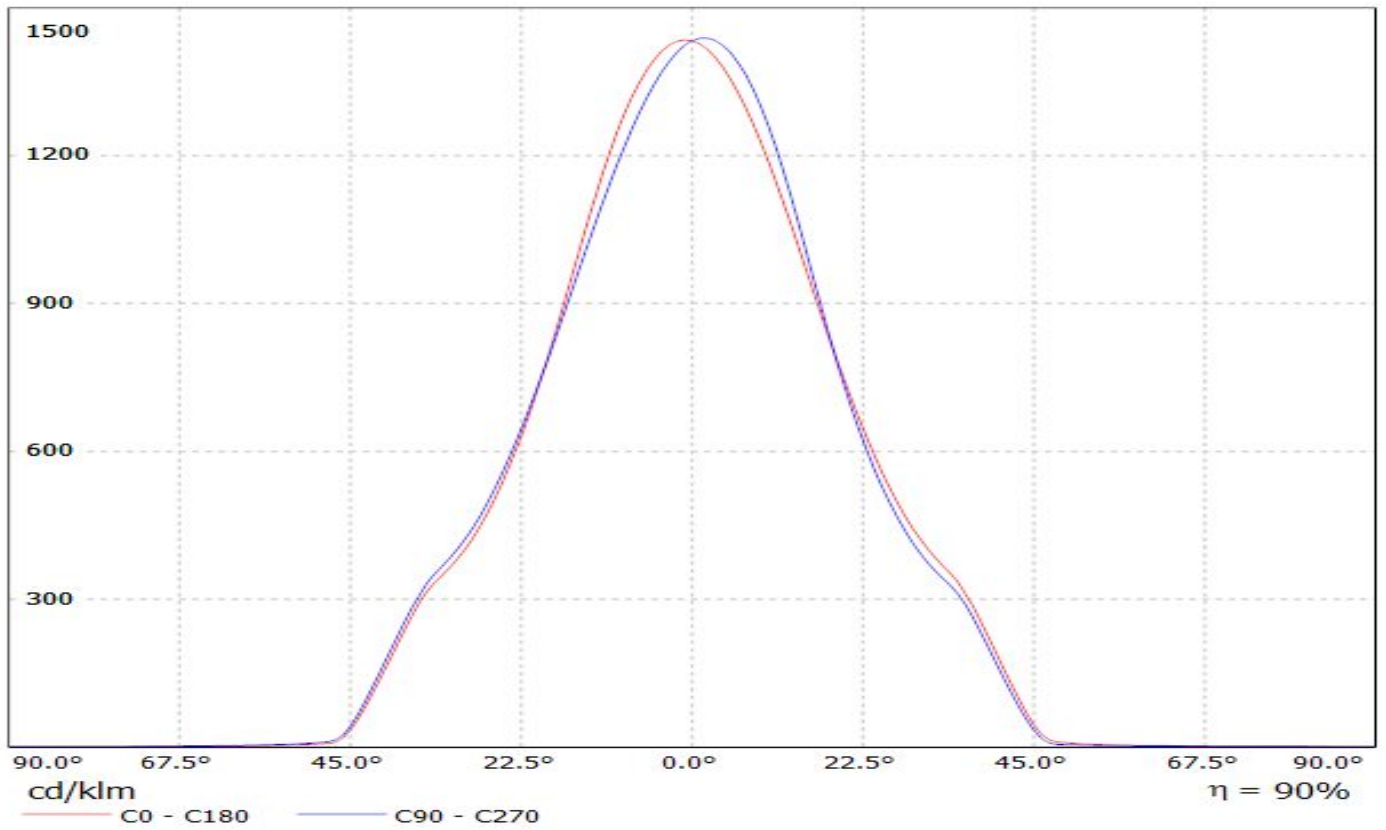


Luminaire: LEDiL Oy CN13766_MIRELLA-50-W-PF_(V8) Eff.87.1%
Lamps: 1 x BRIDGELUX_V8_847.064lm@250mA_P=8.83692W_I=249.8mA



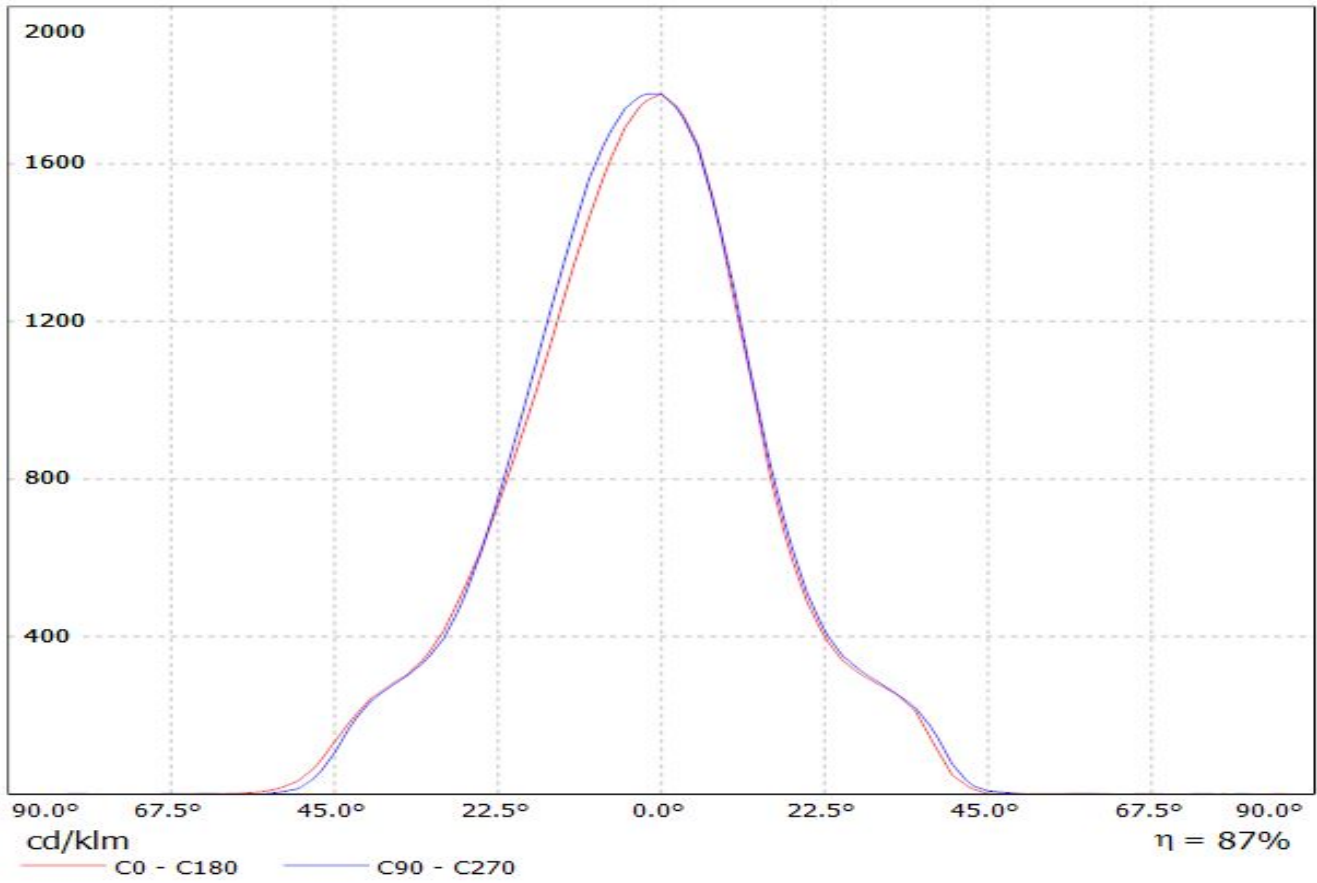
LEDiL Oy CN13766_MIRELLA-50-W-PF_(CXA1507) Eff.89.6% / LDC (Linear)

Luminaire: LEDiL Oy CN13766_MIRELLA-50-W-PF_(CXA1507) Eff.89.6%
Lamps: 1 x CREE_CXA1507 (CXA1507-30F-F2-N0A-00000) 238.378lm@50mA CCT=3000K P=1.8506W I=54.5mA

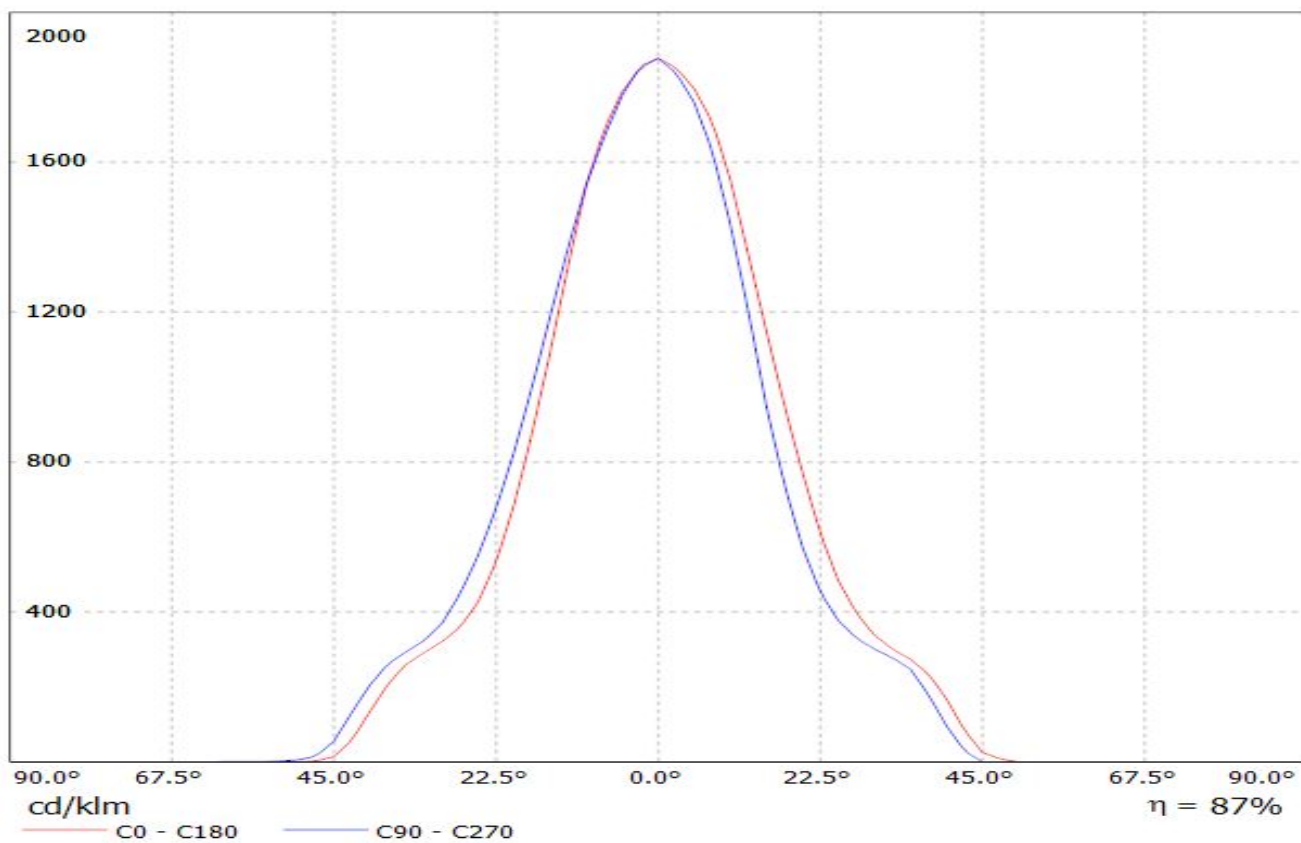


Luminaire: LEDil Oy CN13766_MIRELLA-50-W-PF_(CXA1304)

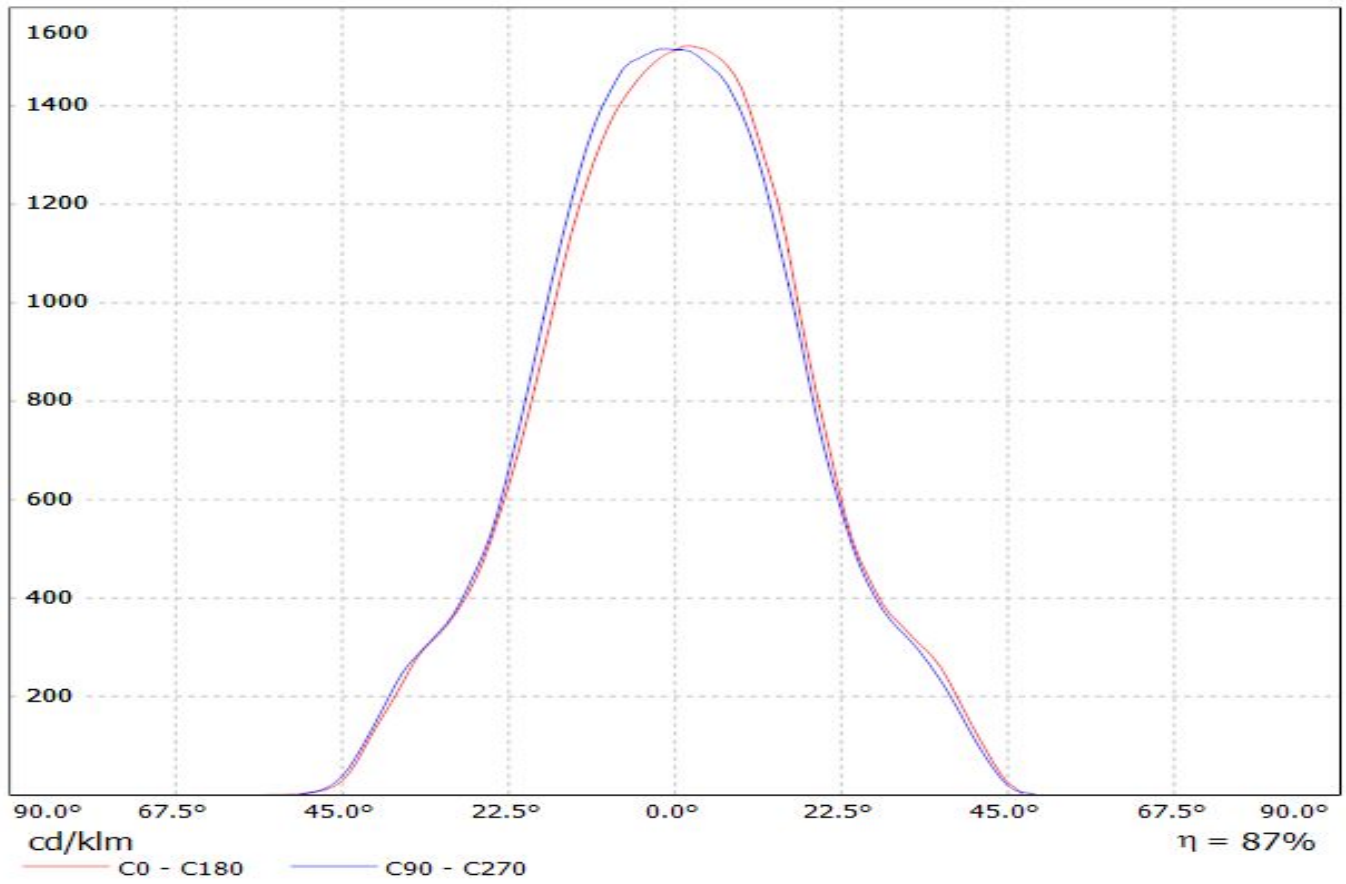
Lamps: 1 x CREE CXA1304 (CXA1304-30F-B2-C0H) 280lm@250mA U: 8.73V U: 2.18W



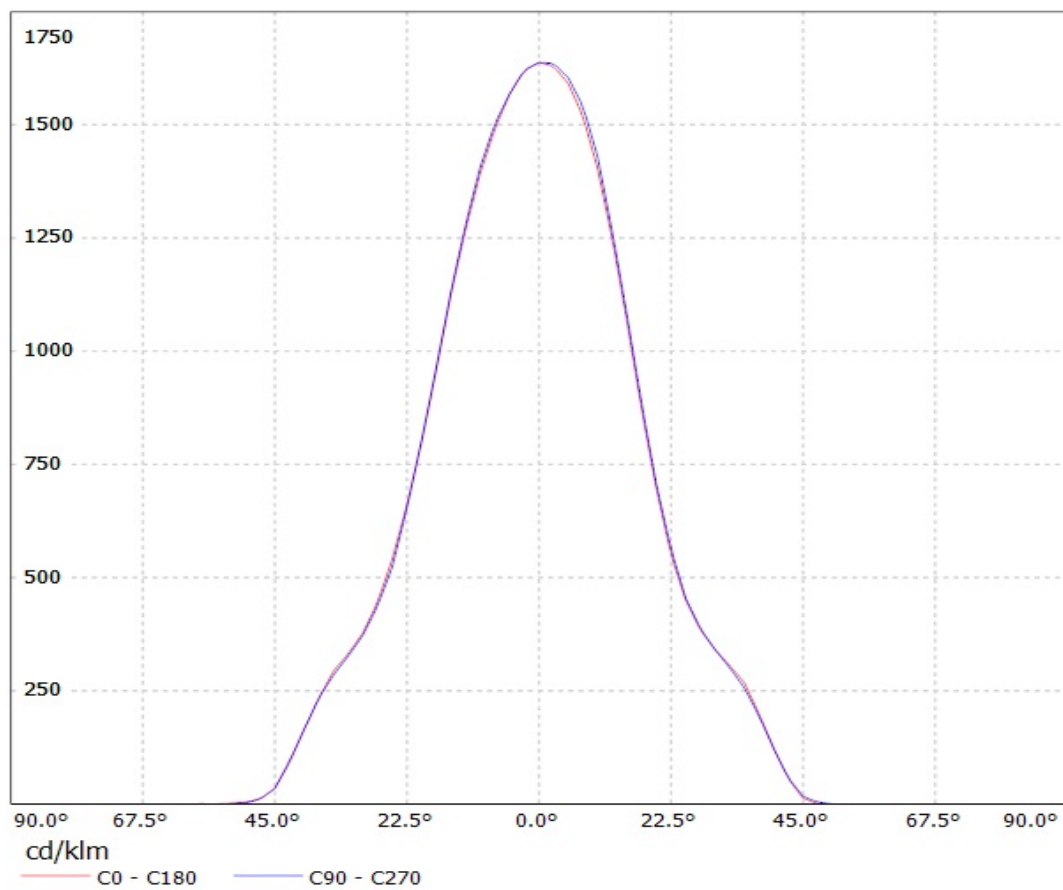
Luminaire: LEDiL Oy CN13766_MIRELLA-50-W-PF_(Sol_P6)
Lamps: 1 x Osram Soleriq P6 GW MAEGB1.EM CCT:4000K 286lm@100mA



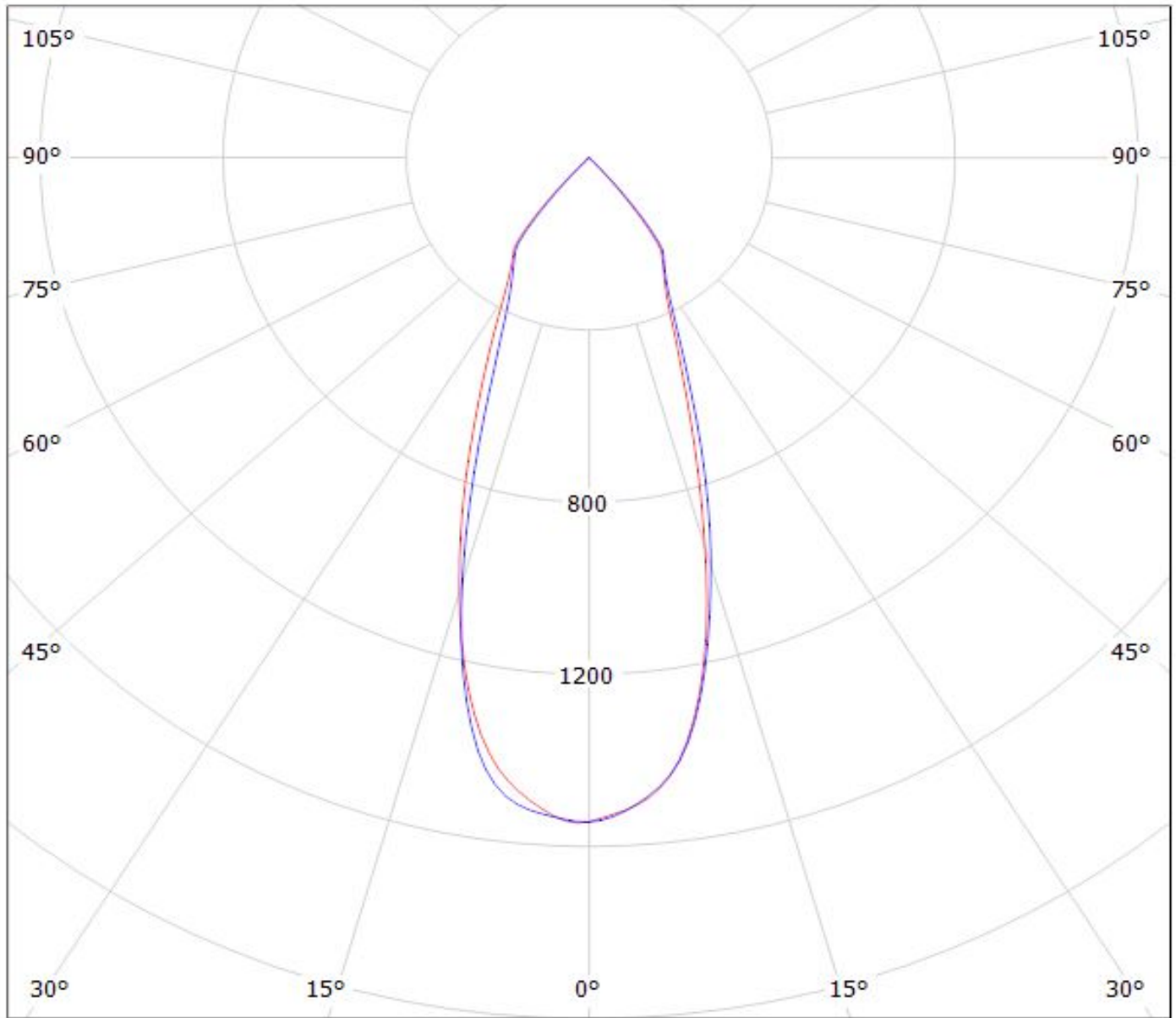
Luminaire: LEDiL CN13766_MIRELLA-50-W-PF_(Sol_P9)
Lamps: 1 x Osram Soleriq P9 xxlm@100mA GWMAFJB1.EM CCT:4000K



Luminaire: LEDil Oy CN13766_MIRELLA-50-W-PF_(Stark_SLE_G3_LES10) Efficiency=86%
Lamps: 1 x Tridonic Stark SLE G3 LES10 (STARK-SLE-PURE-G3-10-1000-830-CLA) 453lm @ 250mA CCT=3000K P=4.3W I=250mA



Luminaire: LEDiL Oy CN13766_MIRELLA-50-W-PF_(V6) Eff.87.0%
Lamps: 1 x BRIDGELUX_V6_488.215lm@250mA_P=5.22041W_I=249.9mA



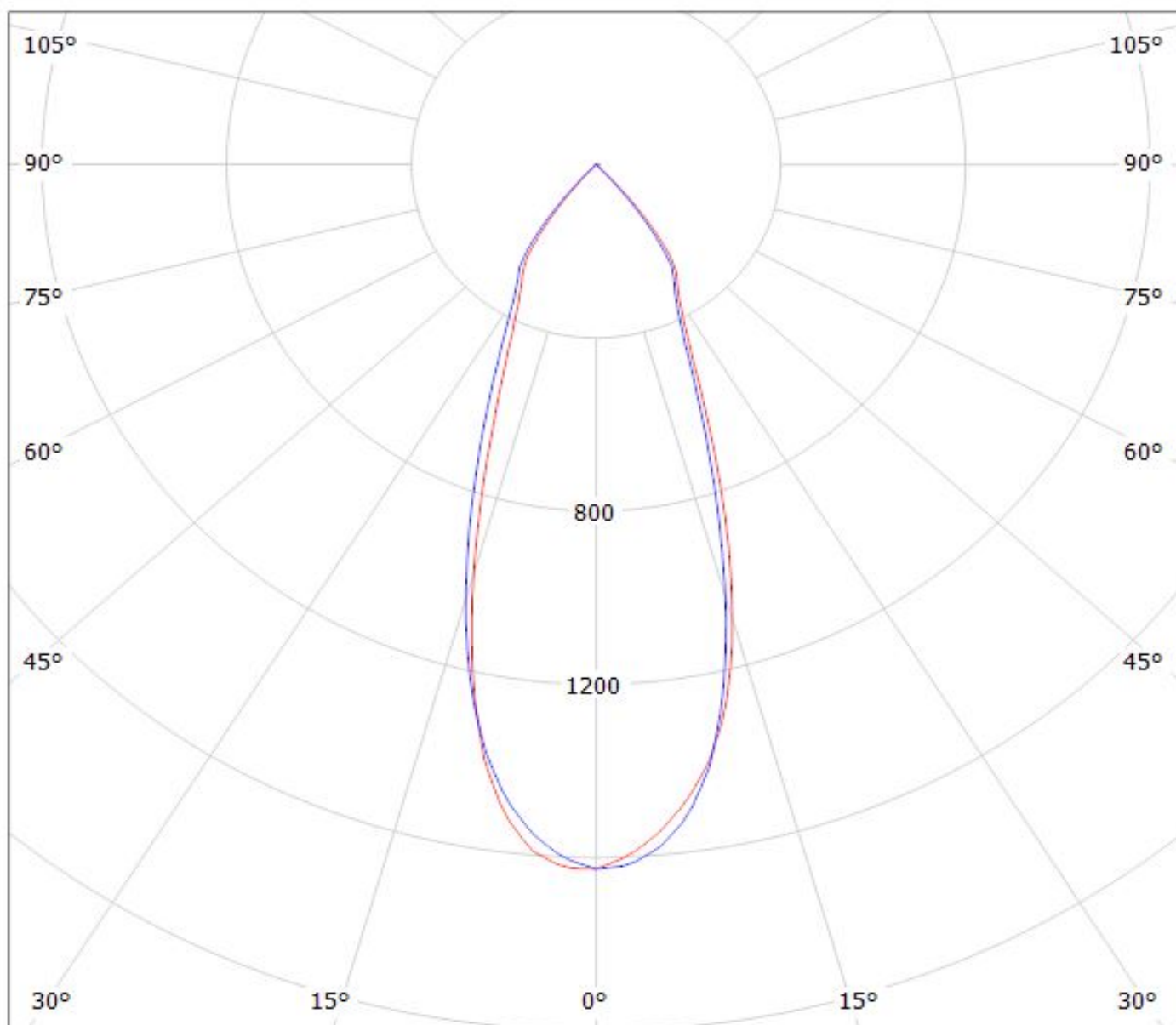
cd/klm

— C0 - C180

— C90 - C270

$\eta = 87\%$

Luminaire: LEDiL Oy CN13766_MIRELLA-50-W-PF_(V8) Eff.87.1%
Lamps: 1 x BRIDGELUX_V8_847.064lm@250mA_P=8.83692W_I=249.8mA



cd/klm

— C0 - C180

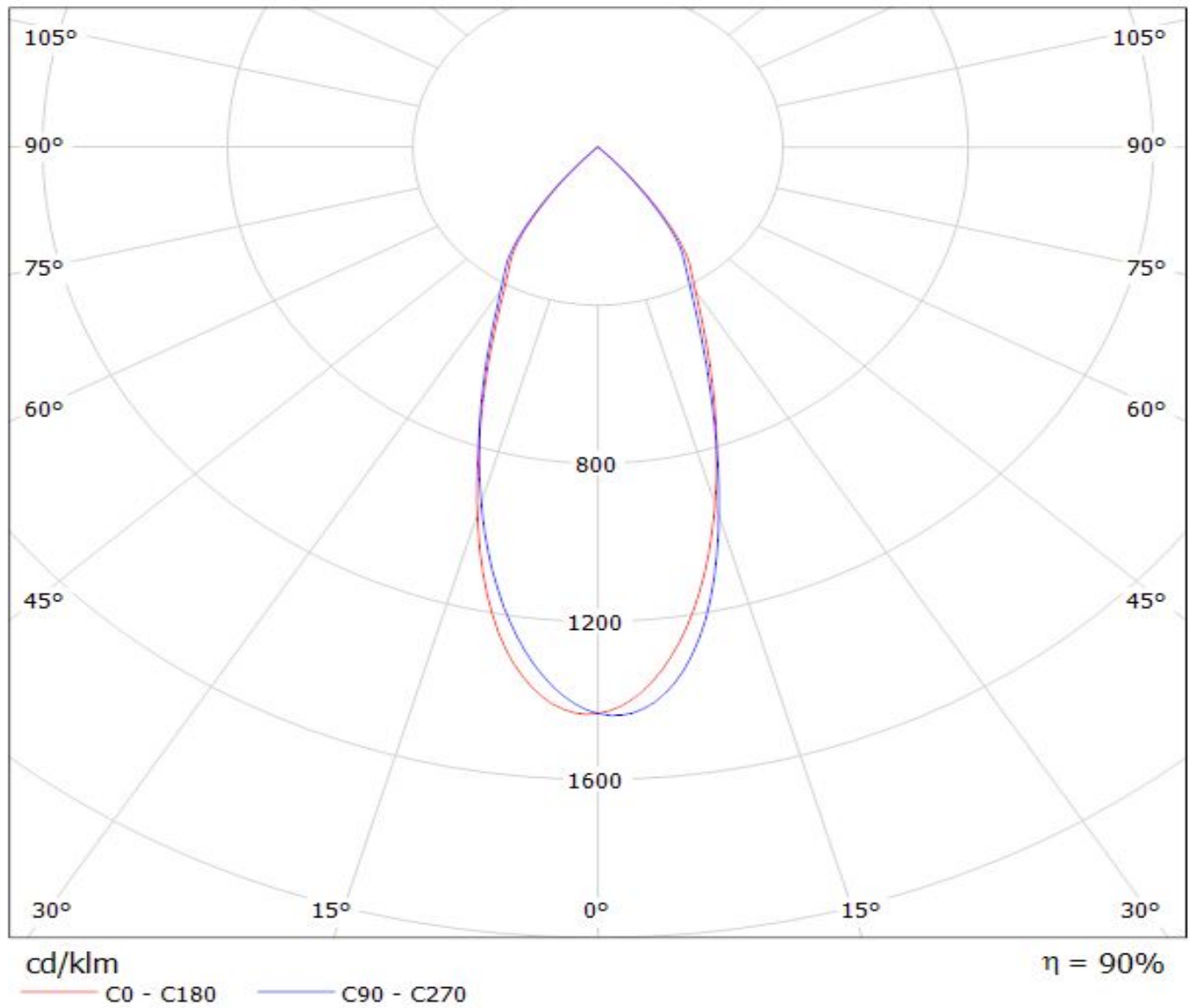
— C90 - C270

$\eta = 87\%$

LEDiL Oy CN13766_MIRELLA-50-W-PF_(CXA1507) Eff.89.6% / LDC (Polar)

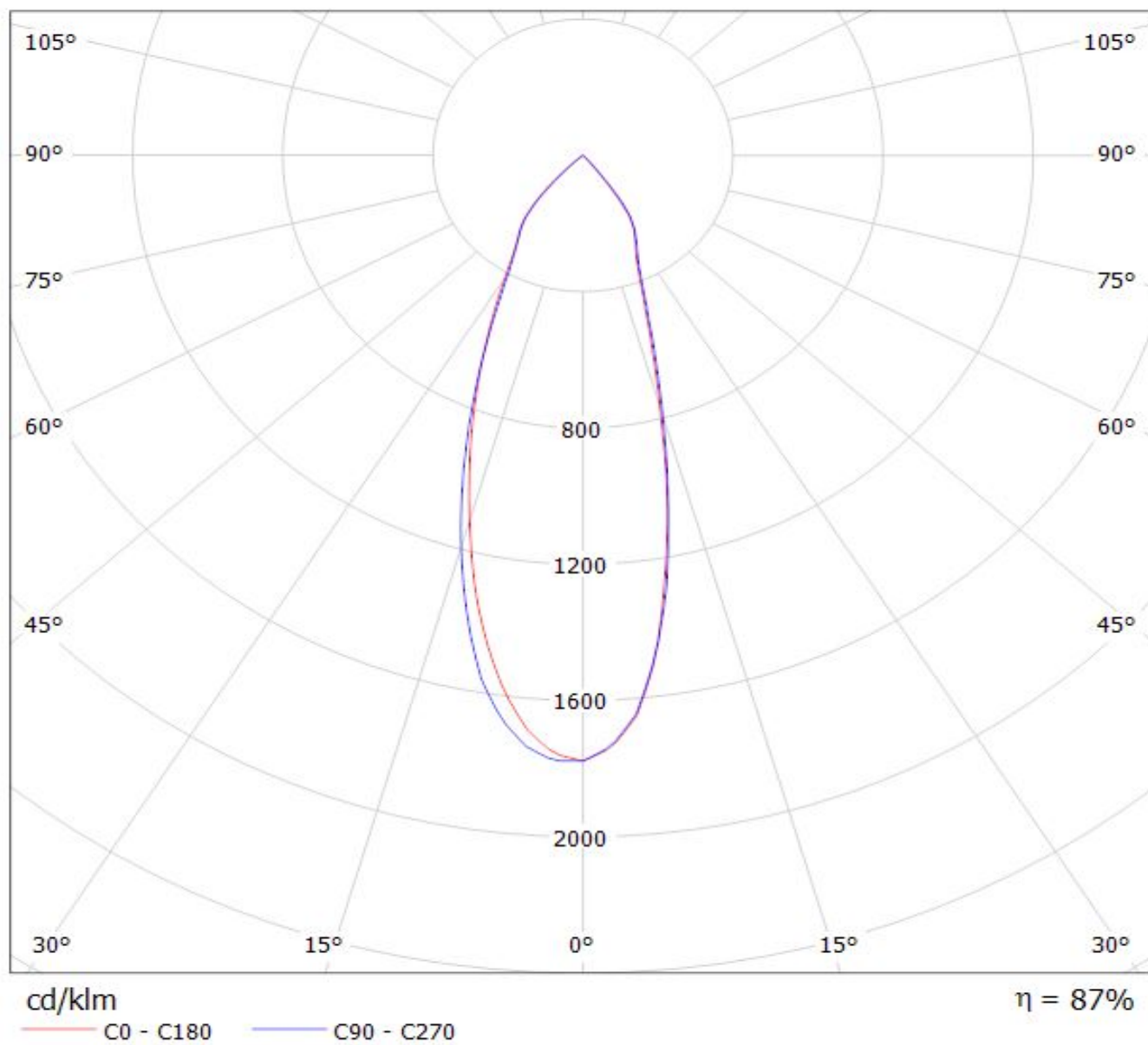
Luminaire: LEDiL Oy CN13766_MIRELLA-50-W-PF_(CXA1507) Eff.89.6%

Lamps: 1 x CREE_CXA1507 (CXA1507-30F-F2-N0A-00000) 238.378lm@50mA CCT=3000K P=1.8506W I=54.5mA

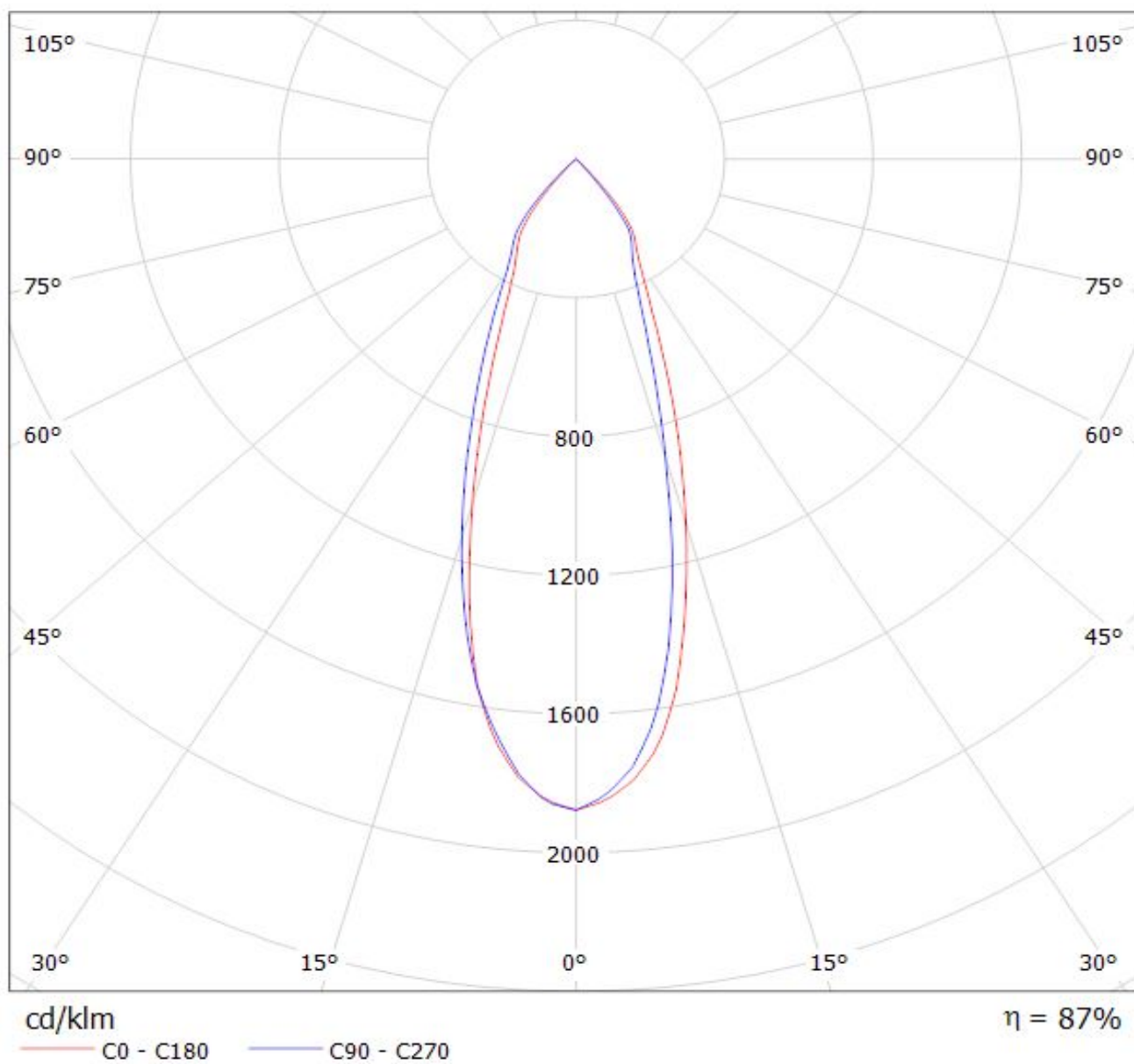


Luminaire: LEDil Oy CN13766_MIRELLA-50-W-PF_(CXA1304)

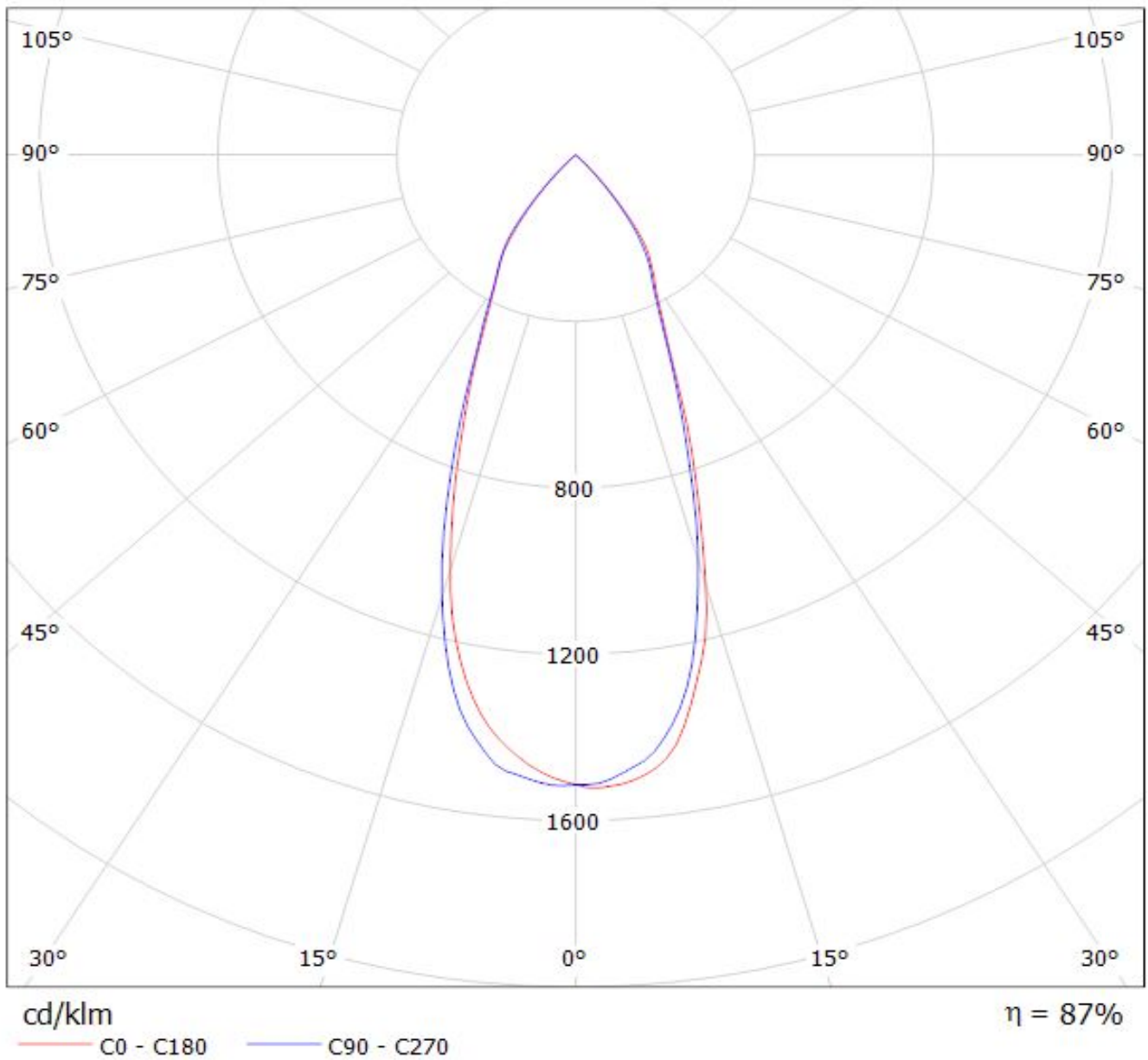
Lamps: 1 x CREE CXA1304 (CXA1304-30F-B2-C0H) 280lm@250mA U: 8.73V U: 2.18W



Luminaire: LEDiL Oy CN13766_MIRELLA-50-W-PF_(Sol_P6)
Lamps: 1 x Osram Soleriq P6 GW MAEGB1.EM CCT:4000K 286lm@100mA

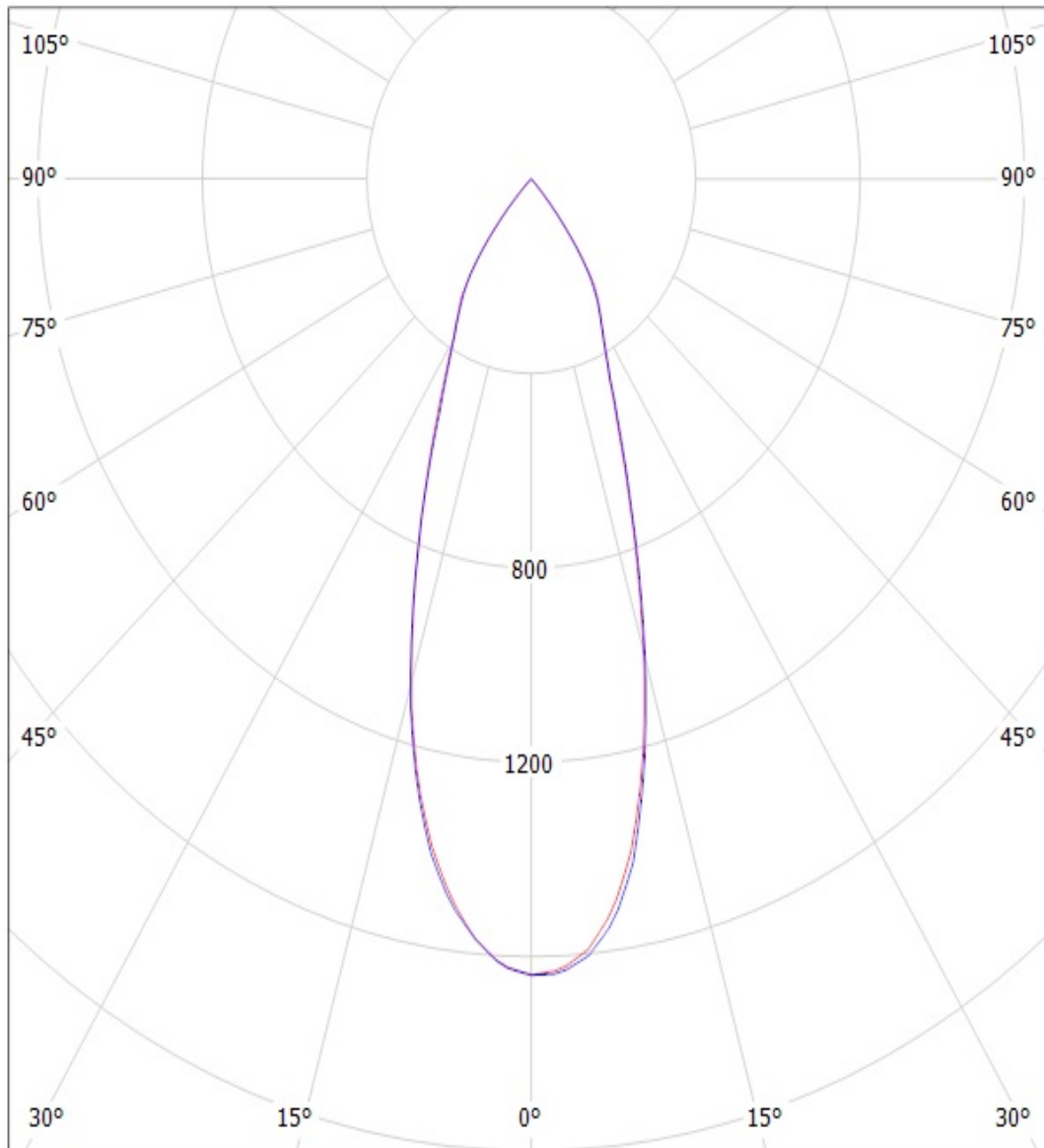


Luminaire: LEDiL CN13766_MIRELLA-50-W-PF_(Sol_P9)
Lamps: 1 x Osram Soleriq P9 xxlm@100mA GWMAFJB1.EM CCT:4000K



Luminaire: LEDil Oy CN13766_MIRELLA-50-W-PF_(Stark_SLE_G3_LES10) Efficiency=86%

Lamps: 1 x Tridonic Stark SLE G3 LES10 (STARK-SLE-PURE-G3-10-1000-830-CLA) 453lm @ 250mA CCT=3000K P=4.3W I=250mA



cd/klm

— C0 - C180

— C90 - C270

NOTE: The typical divergence will be changed by different color, chip size and chip position tolerance. The typical total divergence is the full angle measured where the luminous intensity is half of the peak value.

GENERAL INFORMATION

- Product series especially designed & optimized for series of LEDs.
- Special care taken to make light distribution as uniform as possible.

Note! Due to use of high power COB's with this product, special attention to proper thermal design is highly recommended. LEDiL has no liability for direct, indirect or consecutive damages arising from the LEDiL products being used outside of the recommended temperature range.