



Chipsmall Limited consists of a professional team with an average of over 10 year of expertise in the distribution of electronic components. Based in Hongkong, we have already established firm and mutual-benefit business relationships with customers from,Europe,America and south Asia,supplying obsolete and hard-to-find components to meet their specific needs.

With the principle of “Quality Parts,Customers Priority,Honest Operation,and Considerate Service”,our business mainly focus on the distribution of electronic components. Line cards we deal with include Microchip,ALPS,ROHM,Xilinx,Pulse,ON,Everlight and Freescale. Main products comprise IC,Modules,Potentiometer,IC Socket,Relay,Connector.Our parts cover such applications as commercial,industrial, and automotives areas.

We are looking forward to setting up business relationship with you and hope to provide you with the best service and solution. Let us make a better world for our industry!



Contact us

Tel: +86-755-8981 8866 Fax: +86-755-8427 6832

Email & Skype: info@chipsmall.com Web: www.chipsmall.com

Address: A1208, Overseas Decoration Building, #122 Zhenhua RD., Futian, Shenzhen, China



DETAILS

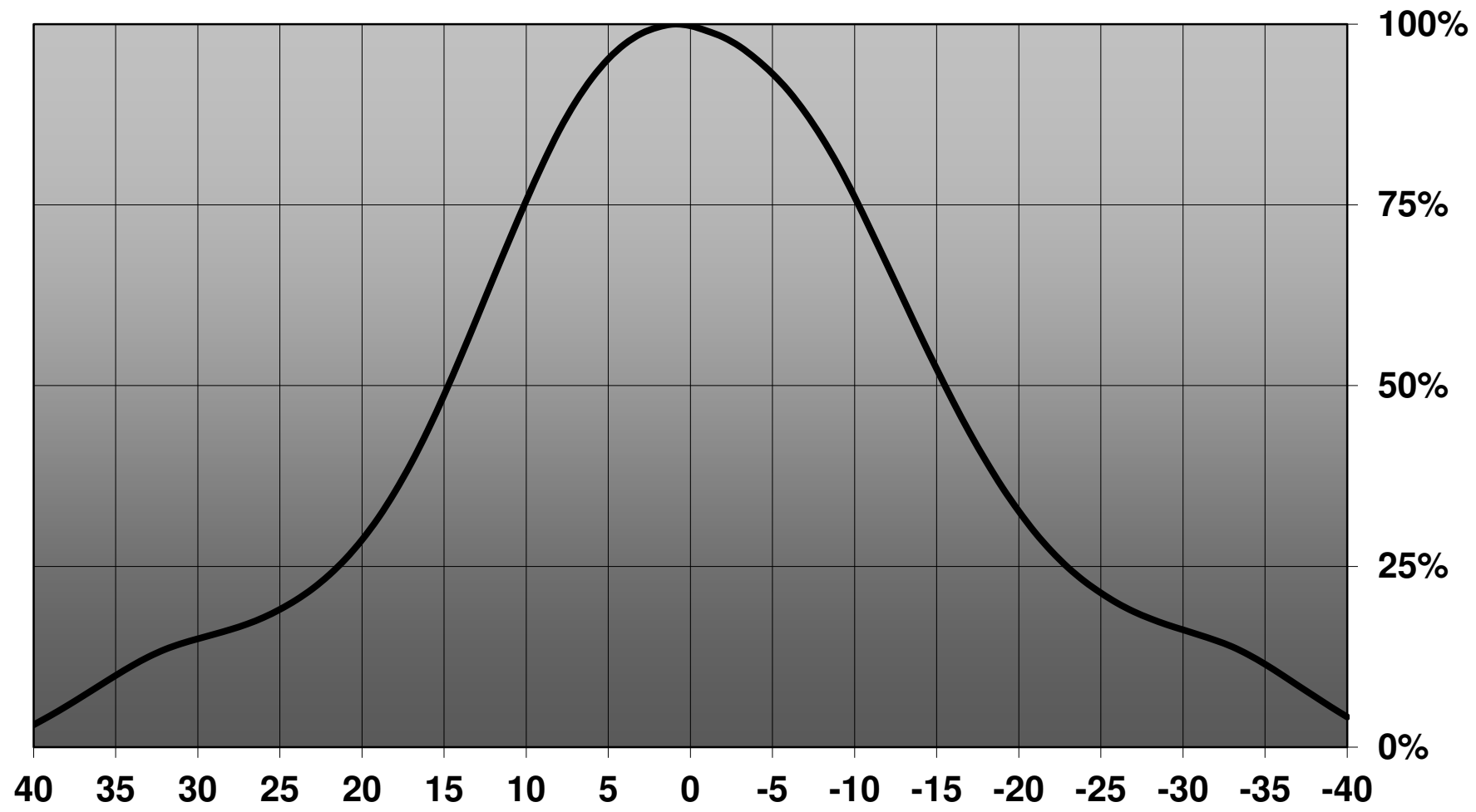
Product Number	CN13771_MIRELLA-50-M-CL-PF
Family	Mirella
Type	RefPack
Color	metal
Diameter	49,9 mm
Height	25,7 mm
Style	round
Optic Material	PC
Holder Material	
Fastening	
Status	production ready
ROHS Compliant	Yes
Date Updated	2/11/2016



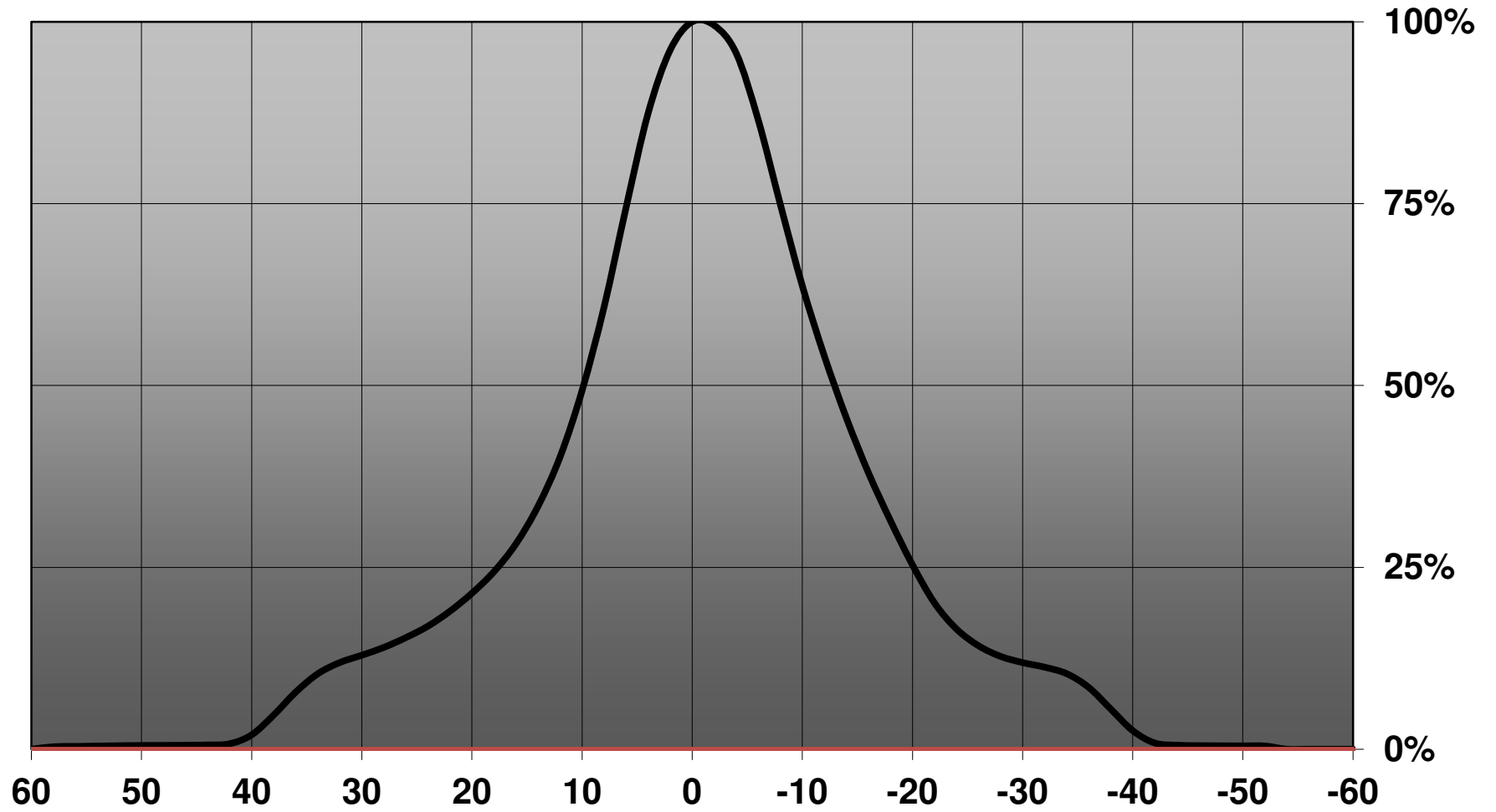
OPTICAL PROPERTIES

LED	Viewing	Light	Effi-		Connector
	Angle	Beam	ciency	cd/lm	
V6 Gen6	25 deg	Medium	82 %	2.300	-
CXA/B 15xx	30 deg	Medium	83 %	2.400	-
CXA/B 13xx	23 deg	Medium	81 %	2.900	-
LUXEON CoB 1202s	23 deg	Medium	83 %	2.800	LEDiL: LEDiL
LUXEON CoB Compact	sim: 23	Medium	sim: 83 %	sim: 2.800	LEDiL: LEDiL
Soleriq P6	24 deg	Medium	82 %	2.890	-
Soleriq P9	31 deg	Medium	83 %	2.170	-
STARK SLE PURE G3 LES10	30 deg	Medium	81 %	2.200	-

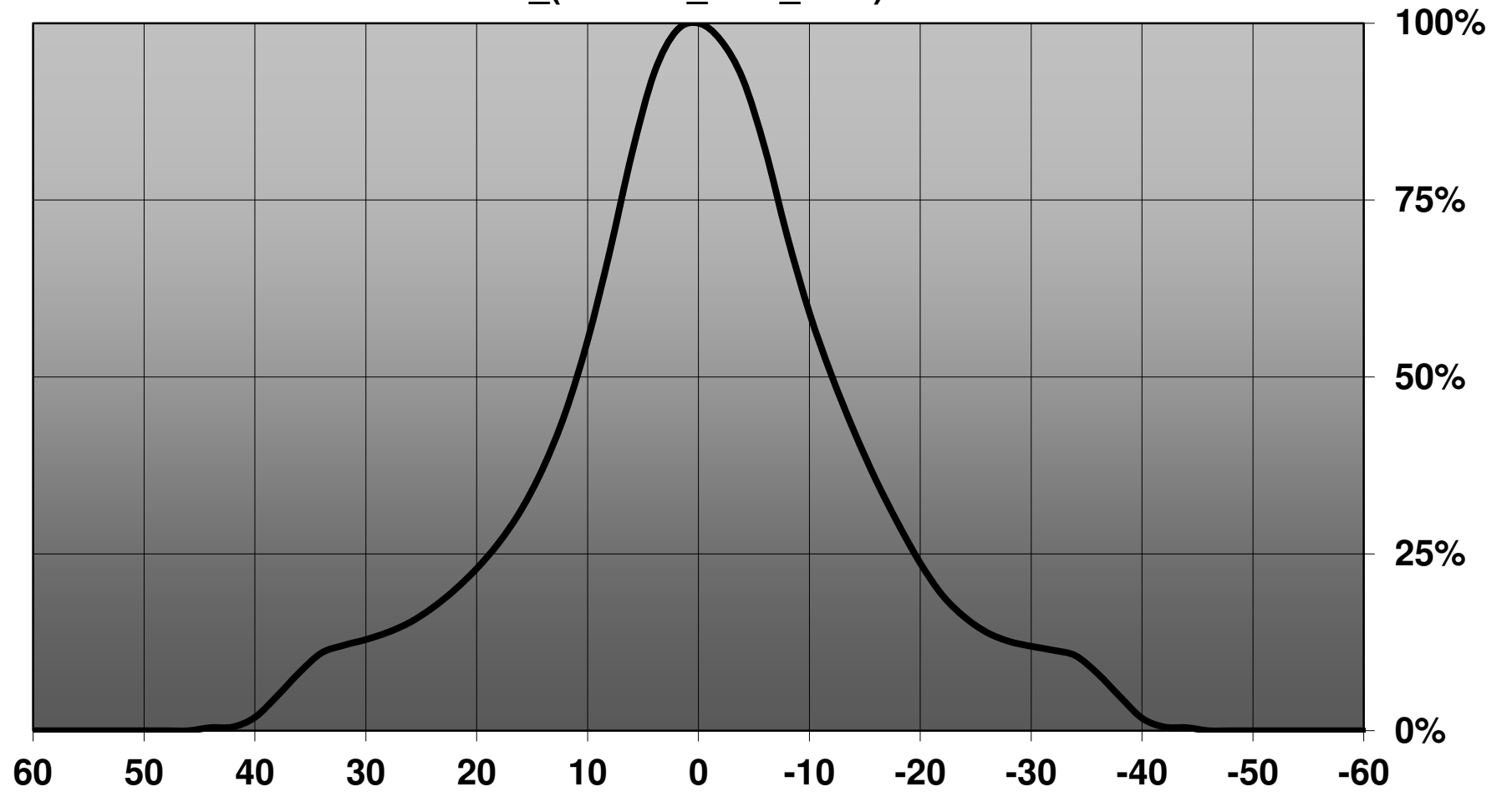
Relative intensity of CN13771_MIRELLA-50-M-CL-PF (CXA15)



Relative intensity of CN13771_MIRELLA-50-M-CL-PF_(CXA1304)

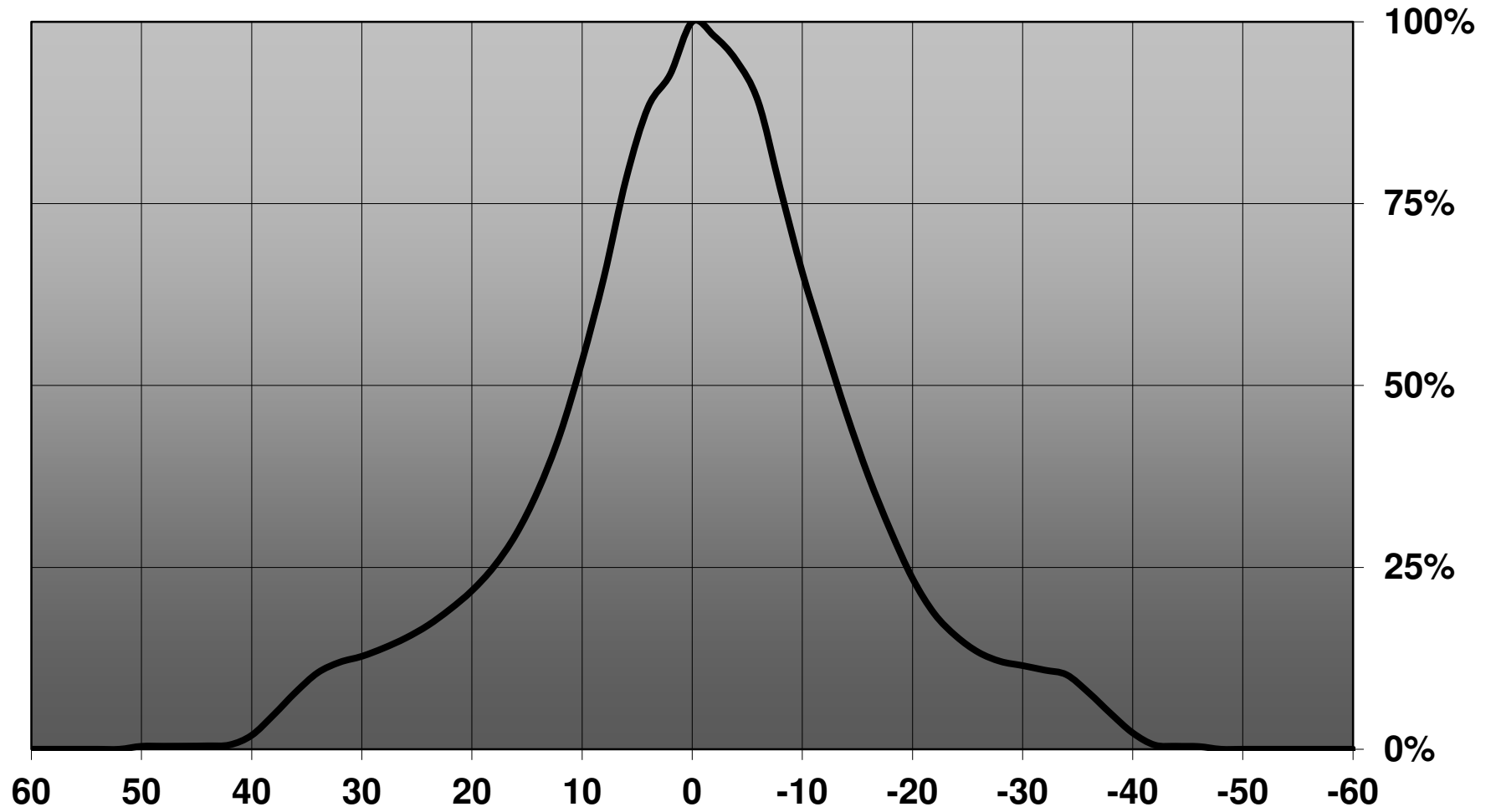


Relative intensity of CN13771_MIRELLA-50-M-CL-
PF_(Luxeon_CoB_mini)

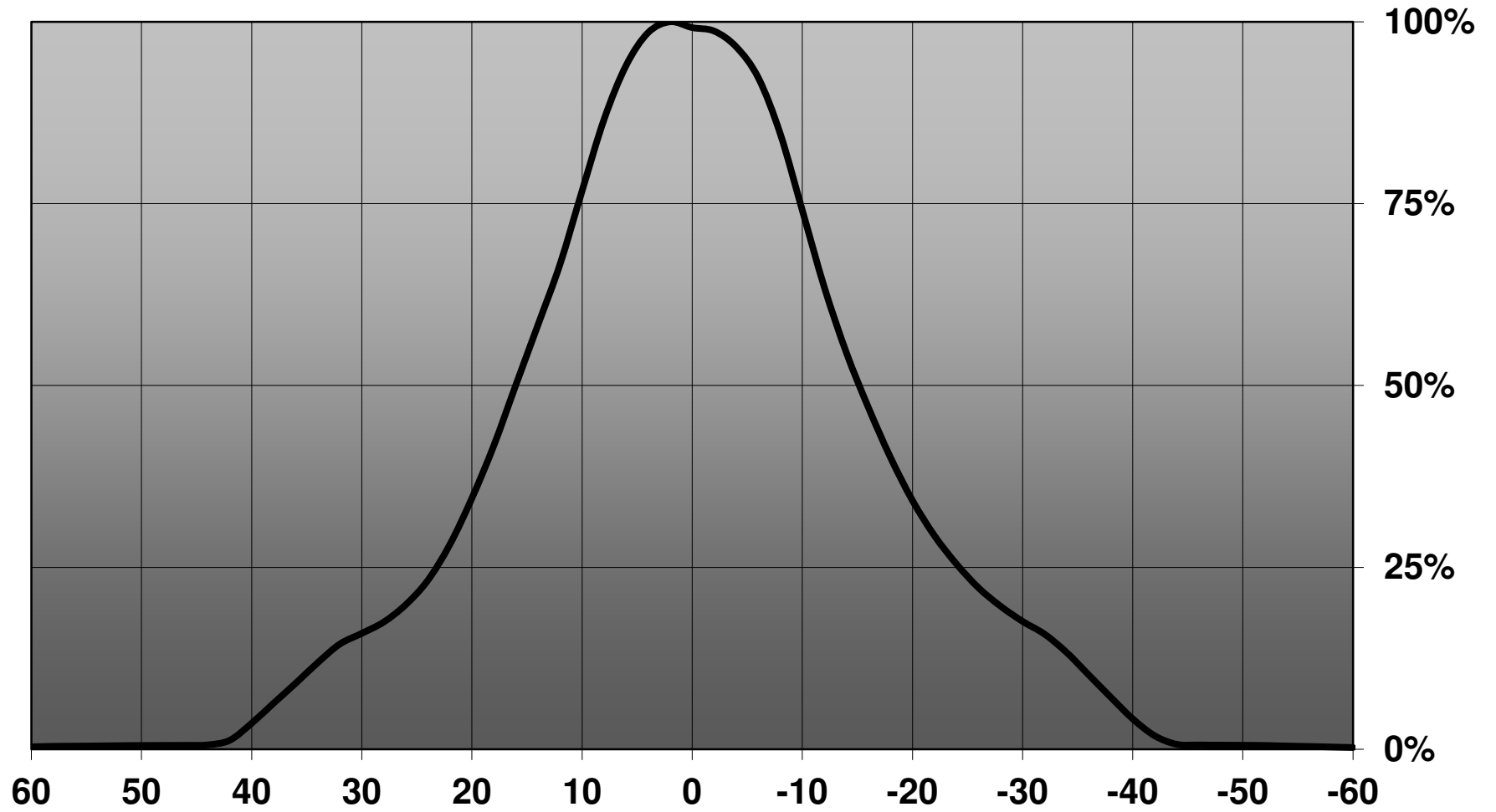


— 1: 0-180

Relative intensity of CN13771_MIRELLA-50-M-CL-PF_(Soleriq P6)



Relative intensity of CN13771_MIRELLA-50-M-CL-PF_(Soleriq P9)



D

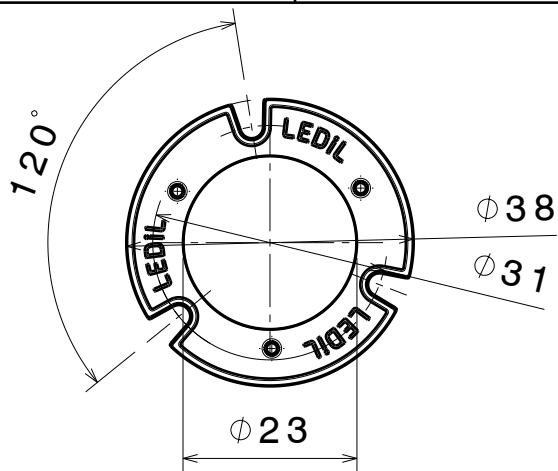
C

B

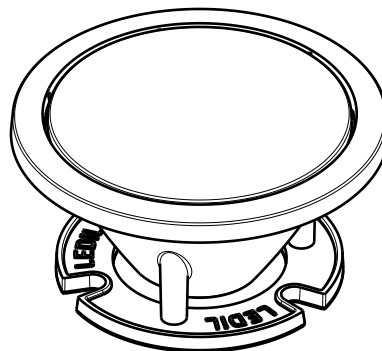
A

NOTE: It is recommended to use glue like DELO-PUR 9895 for pin fastening.

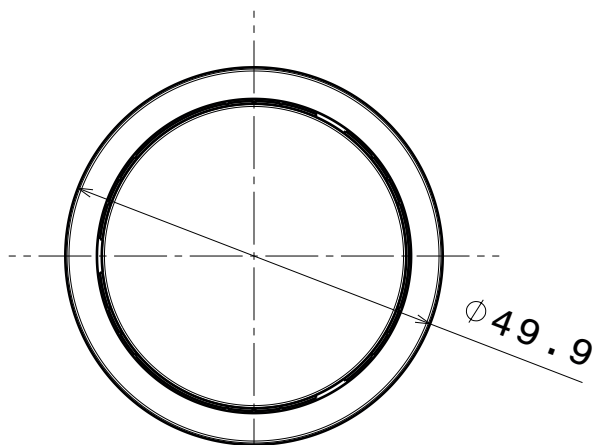
[http://www.delo.de/fileadmin/datasheet/DELO-PUR_9895_\(TIDB-GB\).pdf](http://www.delo.de/fileadmin/datasheet/DELO-PUR_9895_(TIDB-GB).pdf)



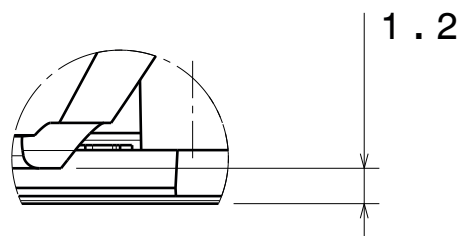
Front view



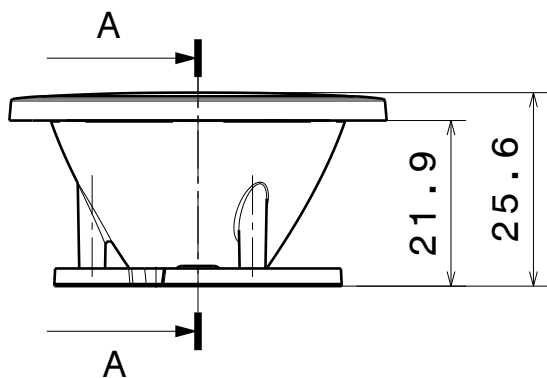
Isometric view



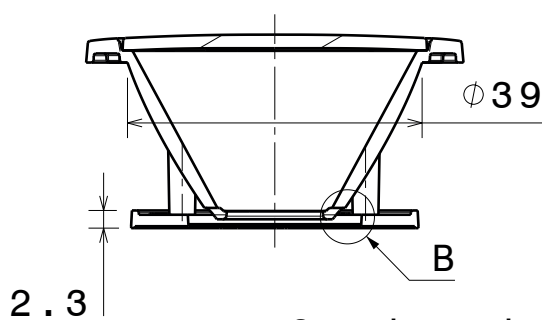
Top view



Detail B



Front view



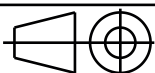
Section view A-A

Tolerances if not otherwise shown
According to DIN ISO 2768-1
Linear measures:
Up to 30mm class M, otherwise class C.
According to DIN ISO 2768-2
Form and position: class L

LEDiL

Ledil Oy
Salorankatu 10
FIN 24240 SALO
Finland

THIRD ANGLE PROJECTION:



DRAWING TITLE

MIRELLA-PF CXA15 Datasheet

This drawing is the property of LEDiL Oy. It may not be reproduced, copied or communicated without a written agreement with LEDiL Oy.

SIZE PART NUMBER

A4

-

SCALE 1:1 WEIGHT

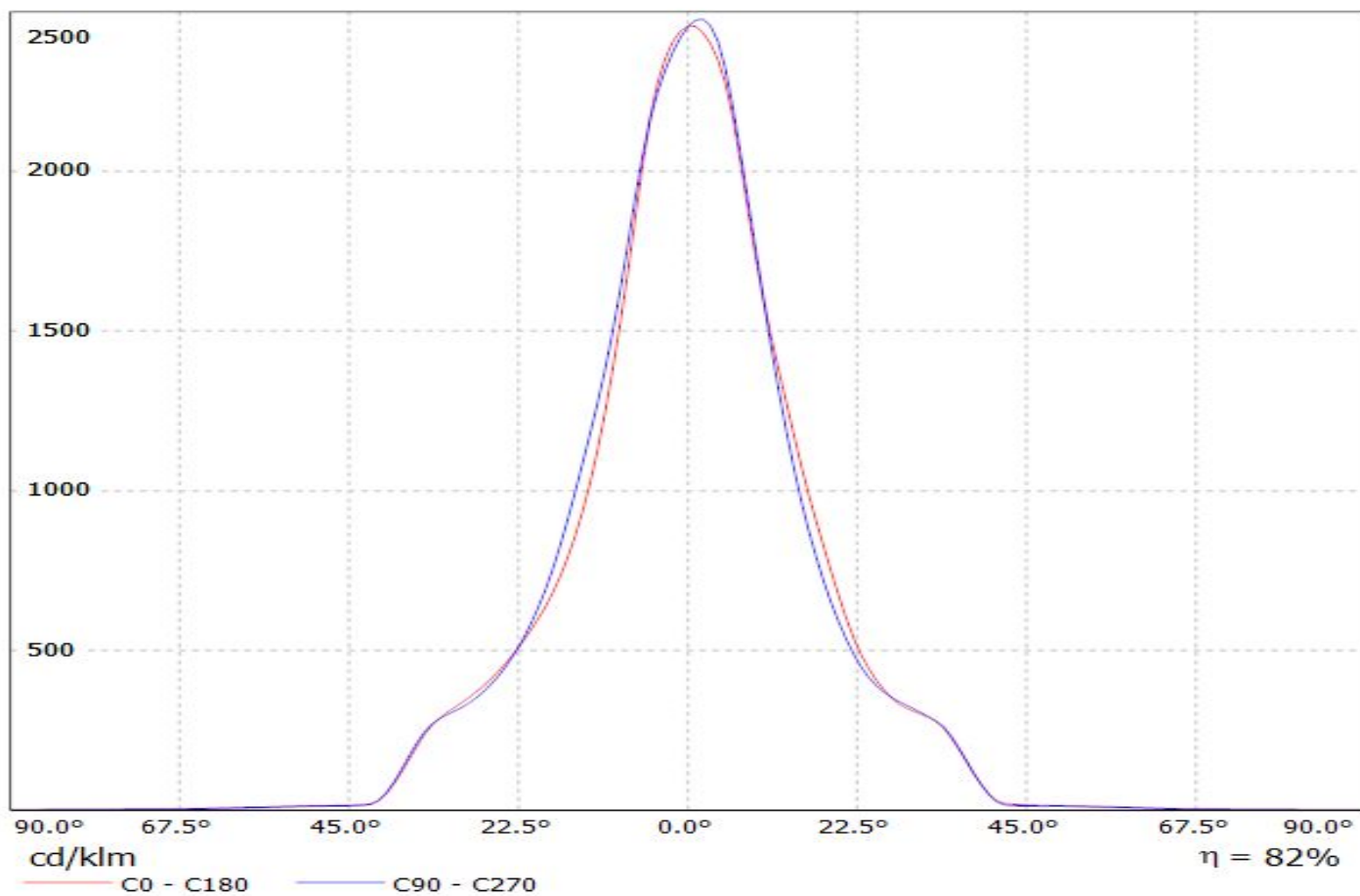
-

SHEET 1/1

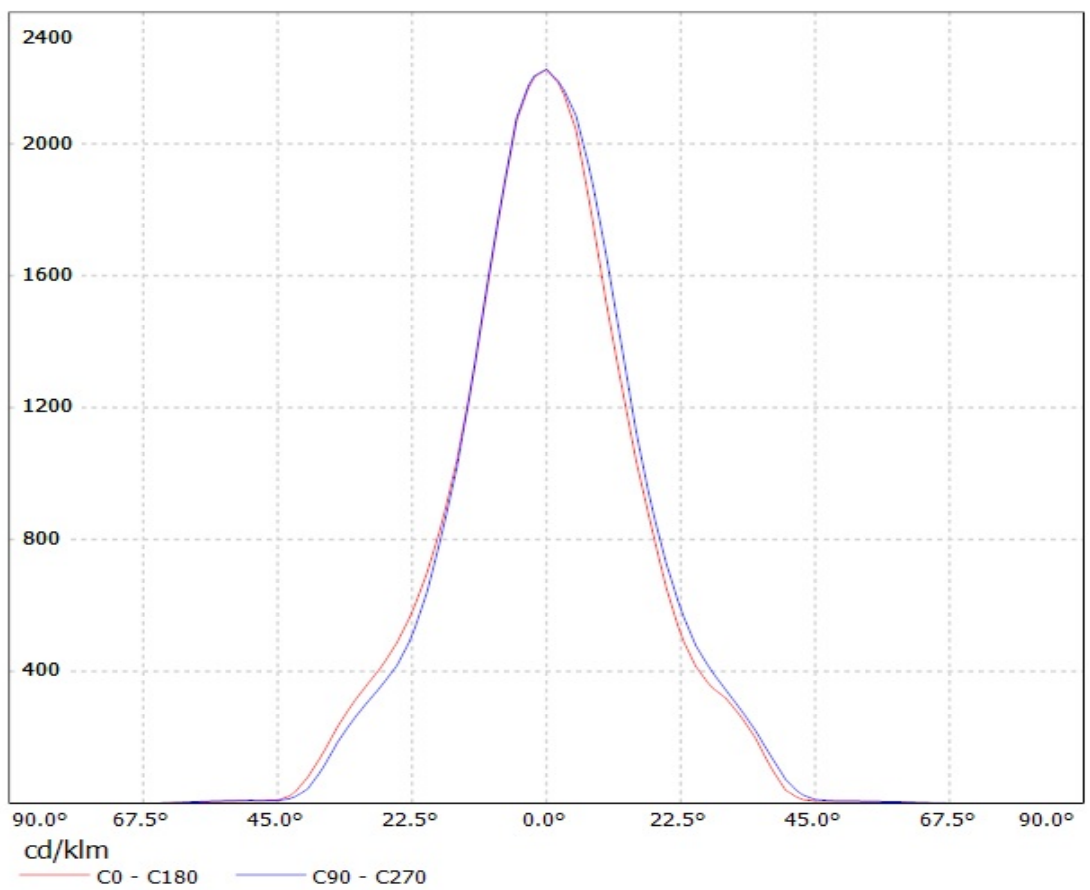
D

A

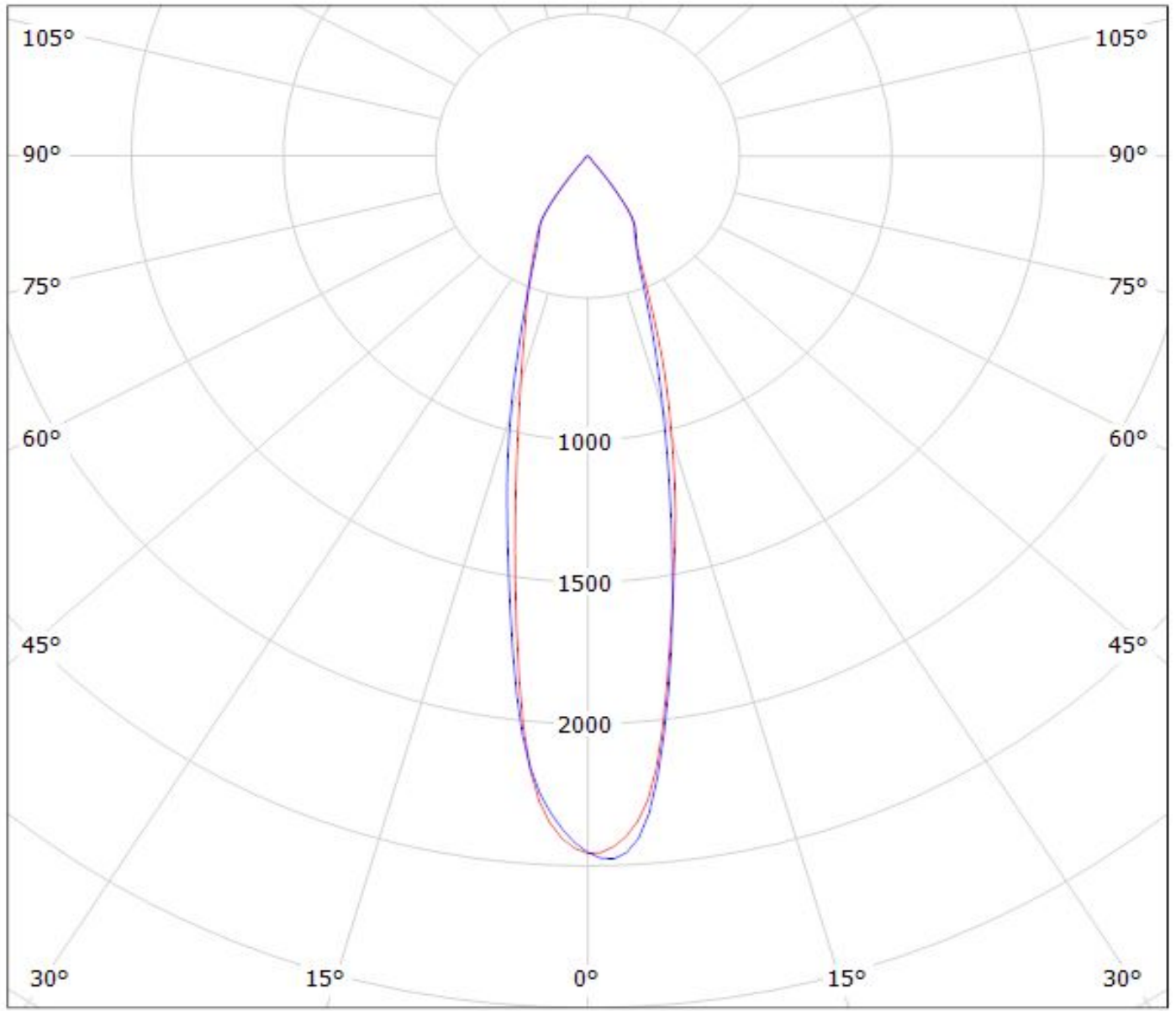
Luminaire: LEDiL Oy CN13771_MIRELLA-50-M-CL-PF_(V6) Eff.81.9%
Lamps: 1 x BRIDGELUX_V6_488.215lm@250mA_P=5.22041W_I=249.9mA



Luminaire: LEDil Oy CN13771_MIRELLA-50-M-CL-PF_(Stark_SLE_G3_LES10) Efficiency=81%
Lamps: 1 x Tridonic Stark SLE G3 LES10 (STARK-SLE-PURE-G3-10-1000-830-CLA) 453lm @ 250mA CCT=3000K P=4.3W I=250mA



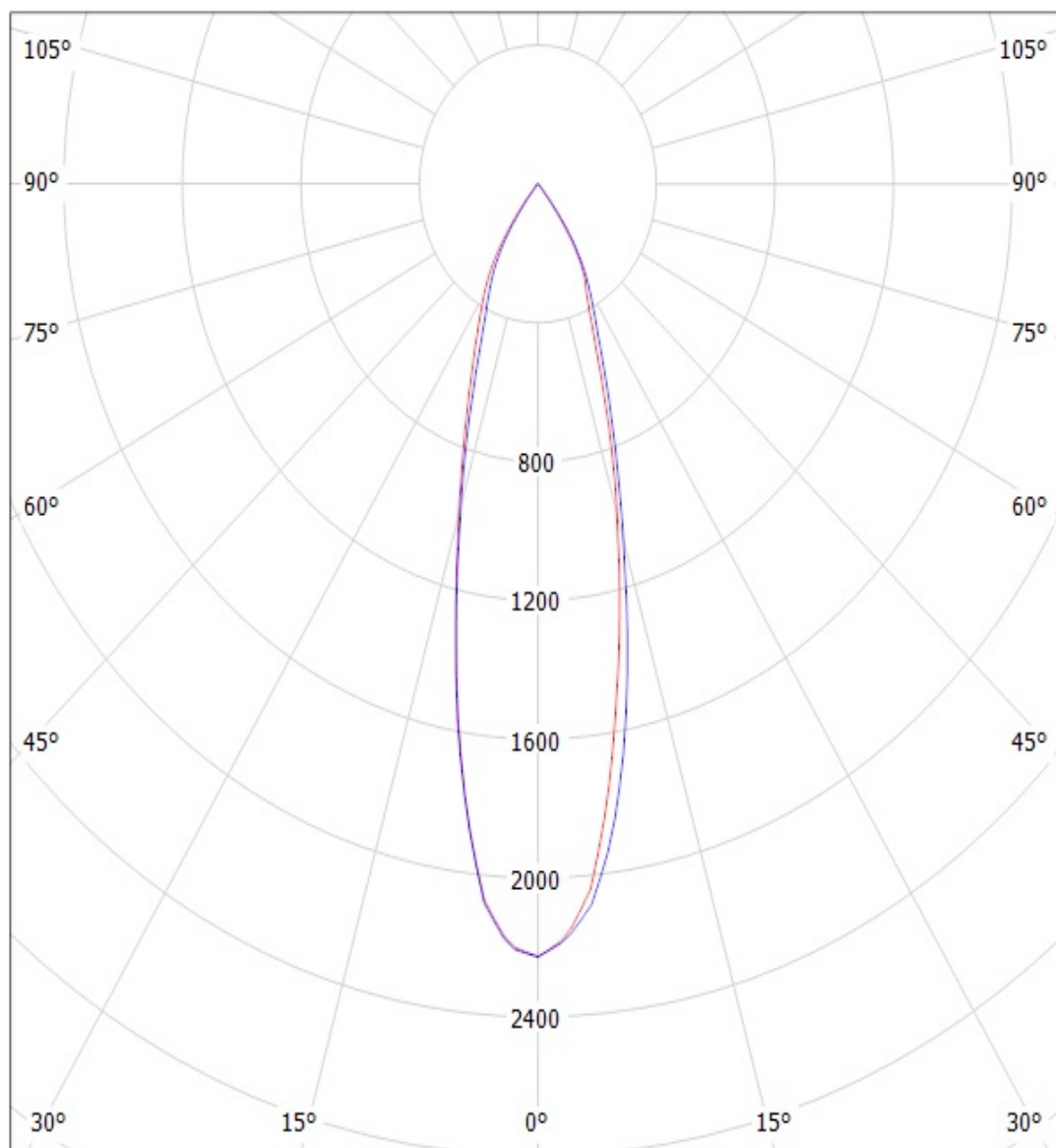
Luminaire: LEDiL Oy CN13771_MIRELLA-50-M-CL-PF_(V6) Eff.81.9%
Lamps: 1 x BRIDGELUX_V6_488.215lm@250mA_P=5.22041W_I=249.9mA



cd/klm
— C0 - C180 — C90 - C270

$\eta = 82\%$

Luminaire: LEDil Oy CN13771_MIRELLA-50-M-CL-PF_(Stark_SLE_G3_LES10) Efficiency=81%
Lamps: 1 x Tridonic Stark SLE G3 LES10 (STARK-SLE-PURE-G3-10-1000-830-CLA) 453lm @ 250mA CCT=3000K P=4.3W I=250mA



cd/klm

— C0 - C180

— C90 - C270

NOTE: The typical divergence will be changed by different color, chip size and chip position tolerance. The typical total divergence is the full angle measured where the luminous intensity is half of the peak value.

GENERAL INFORMATION

- Product series especially designed & optimized for series of LEDs.
- Special care taken to make light distribution as uniform as possible.

Note! Due to use of high power COB's with this product, special attention to proper thermal design is highly recommended. LEDiL has no liability for direct, indirect or consecutive damages arising from the LEDiL products being used outside of the recommended temperature range.