



Chipsmall Limited consists of a professional team with an average of over 10 year of expertise in the distribution of electronic components. Based in Hongkong, we have already established firm and mutual-benefit business relationships with customers from,Europe,America and south Asia,supplying obsolete and hard-to-find components to meet their specific needs.

With the principle of “Quality Parts,Customers Priority,Honest Operation,and Considerate Service”,our business mainly focus on the distribution of electronic components. Line cards we deal with include Microchip,ALPS,ROHM,Xilinx,Pulse,ON,Everlight and Freescale. Main products comprise IC,Modules,Potentiometer,IC Socket,Relay,Connector.Our parts cover such applications as commercial,industrial, and automotives areas.

We are looking forward to setting up business relationship with you and hope to provide you with the best service and solution. Let us make a better world for our industry!



## Contact us

Tel: +86-755-8981 8866 Fax: +86-755-8427 6832

Email & Skype: info@chipsmall.com Web: www.chipsmall.com

Address: A1208, Overseas Decoration Building, #122 Zhenhua RD., Futian, Shenzhen, China



## DETAILS

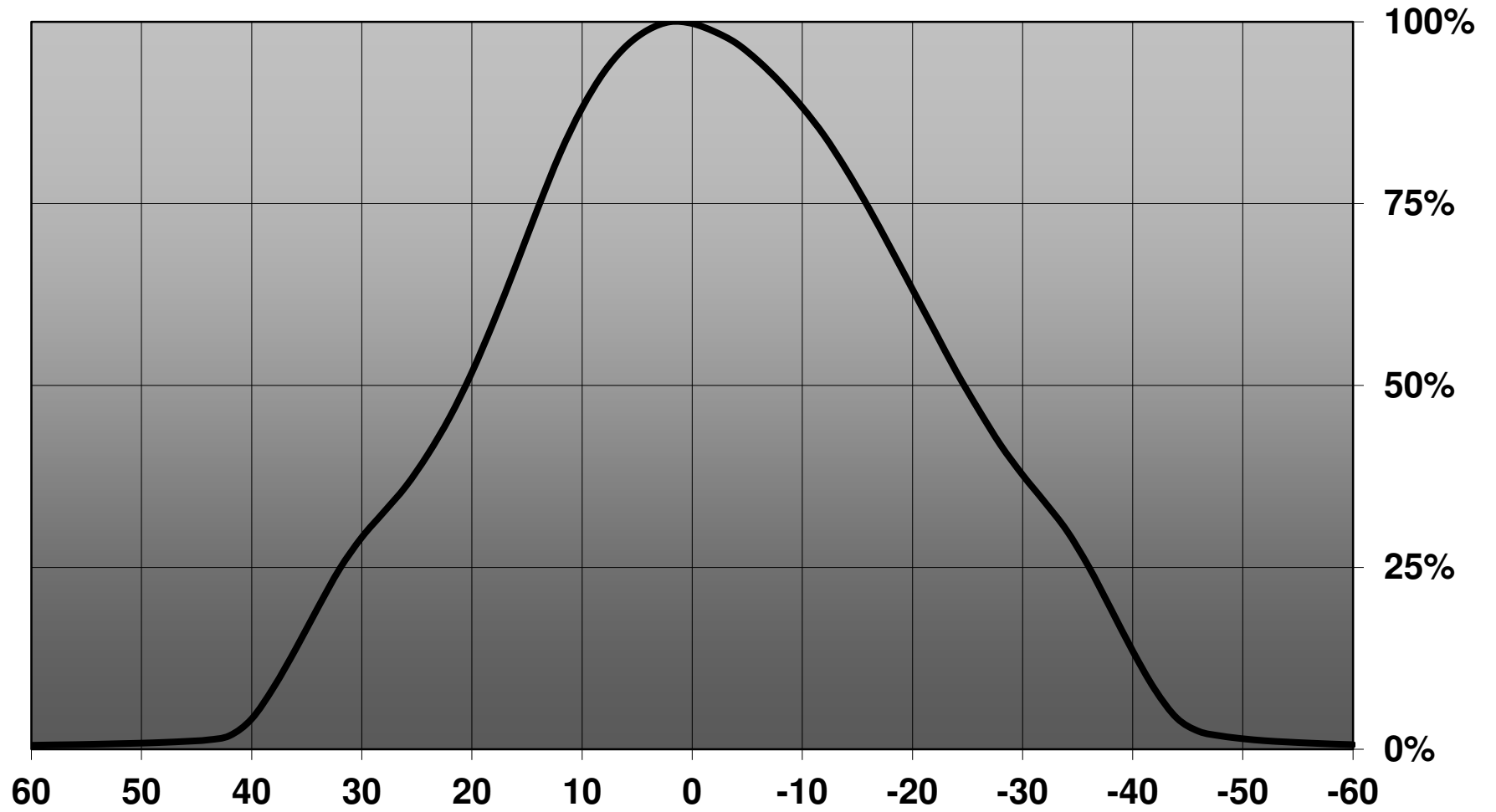
<b>Product Number</b>	CN13772_MIRELLA-50-W-CL-PF
<b>Family</b>	Mirella
<b>Type</b>	RefPack
<b>Color</b>	metal
<b>Diameter</b>	49,9 mm
<b>Height</b>	25,7 mm
<b>Style</b>	round
<b>Optic Material</b>	PC
<b>Holder Material</b>	
<b>Fastening</b>	
<b>Status</b>	production ready
<b>ROHS Compliant</b>	Yes
<b>Date Updated</b>	2/11/2016

## OPTICAL PROPERTIES

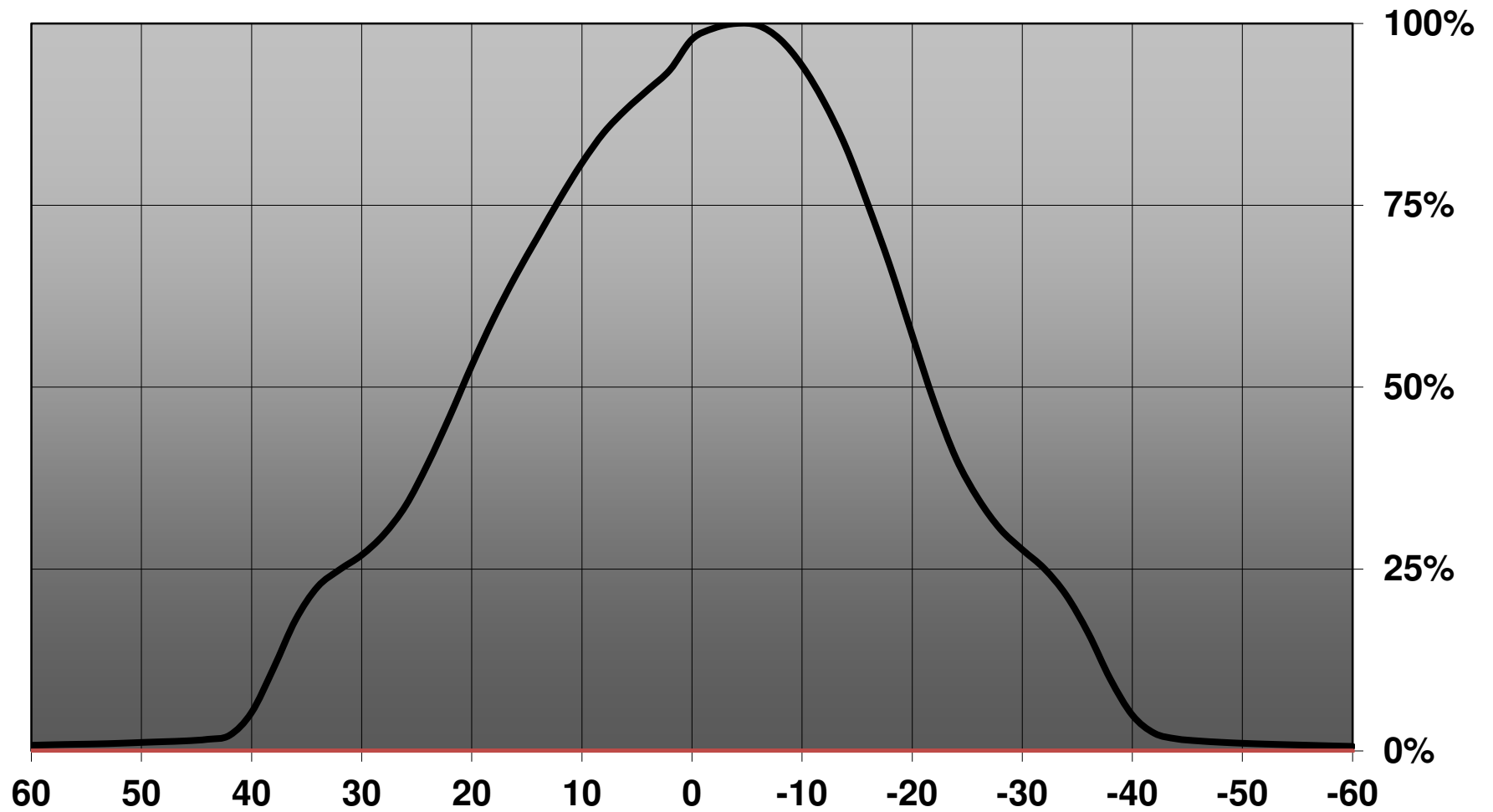
LED	Viewing	Light	Effi-		Connector
	Angle	Beam	ciency	cd/lm	
V6 Gen6	44 deg	Wide	81 %	1.300	-
V8 Gen6	42 deg	Wide	82 %	1.380	-
CXA/B 15xx	46 deg	Wide	85 %	1.400	-
CXA/B 13xx	42 deg	Wide	81 %	1.500	-
LUXEON CoB 1202s	41 deg	Wide	82 %	1.500	LEDiL: LEDiL
LUXEON CoB Compact	sim: 41	Wide	sim: 82 %	sim: 1.500	LEDiL: LEDiL
Soleriq P6	41 deg	Wide	82 %	1.550	-
Soleriq P9	46 deg	Wide	82 %	1.330	-
STARK SLE PURE G3 LES10	45 deg	Wide	81 %	1.400	-



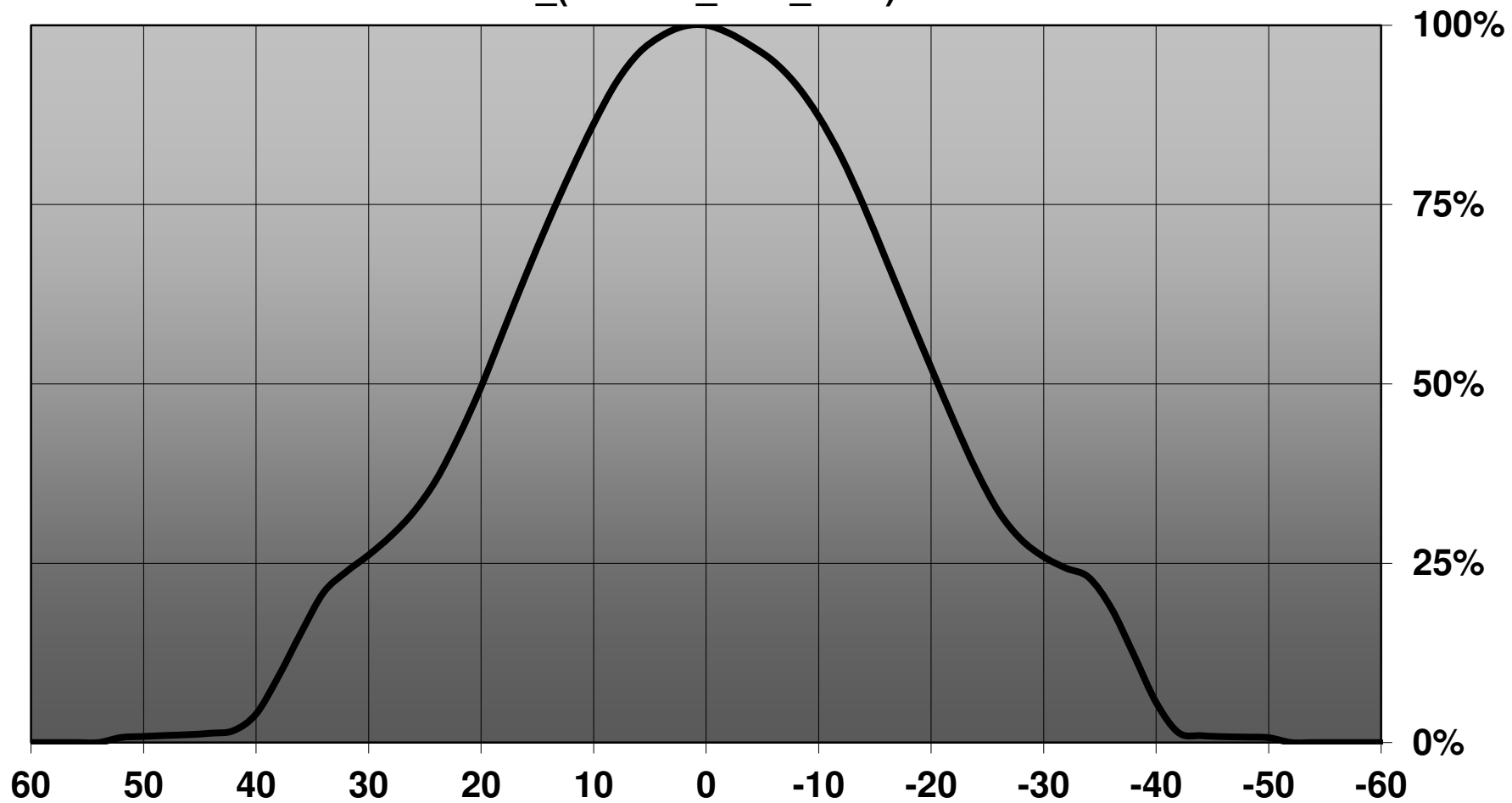
**Relative intensity of CN13772\_MIRELLA-50-W-CL-PF (CXA15)**



Relative intensity of CN13772\_MIRELLA-50-W-CL-PF\_(CXA1304)

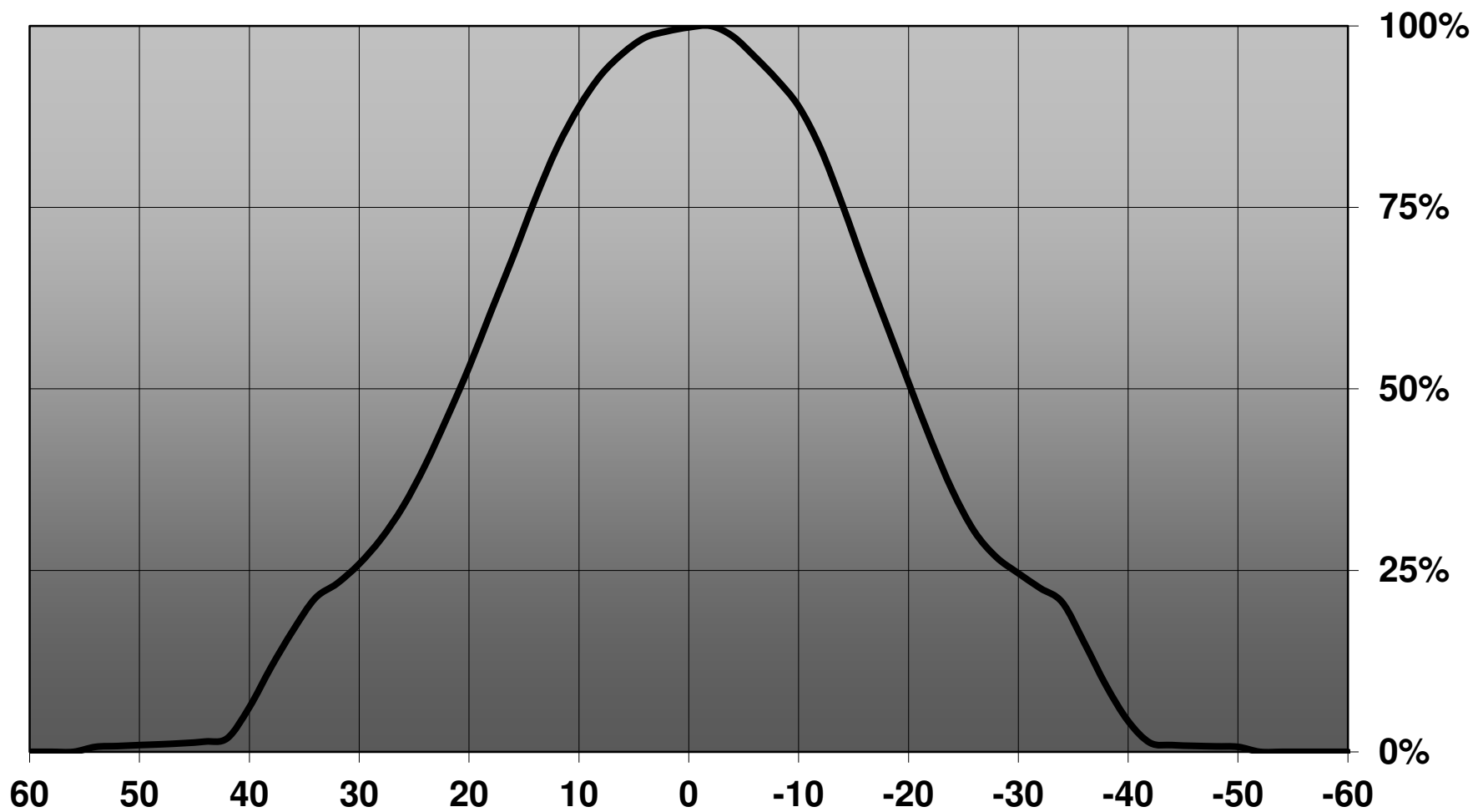


Relative intensity of CN13772\_MIRELLA-50-W-CL-  
PF\_(Luxeon\_CoB\_mini)

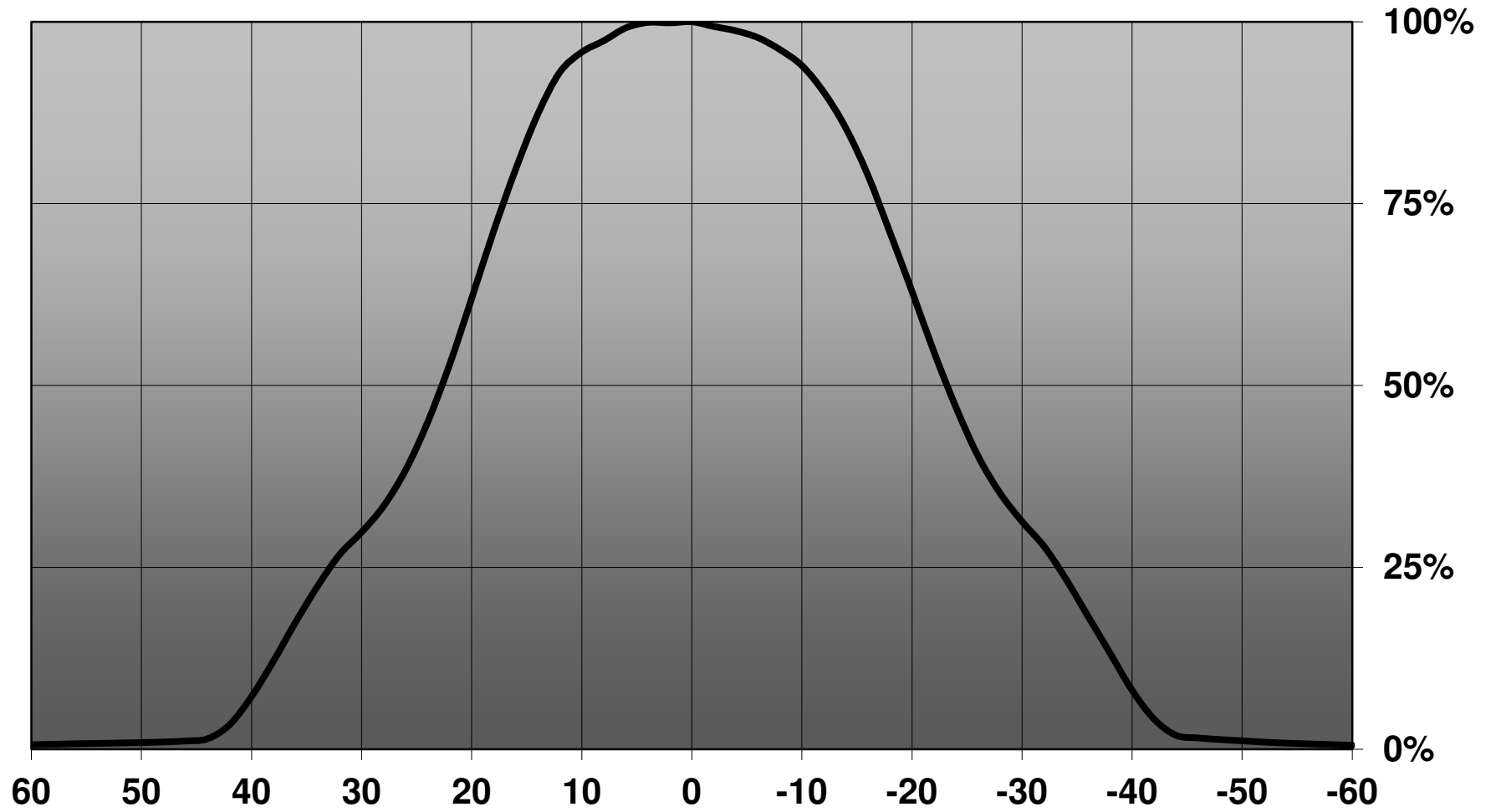


— 1: 0-180

Relative intensity of CN13772\_MIRELLA-50-W-CL-PF\_(Soleriq P6)



Relative intensity of CN13772\_MIRELLA-50-W-CL-PF\_(Soleriq P9)





D

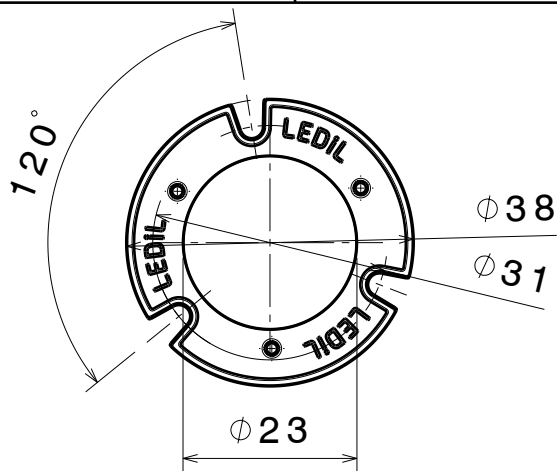
C

B

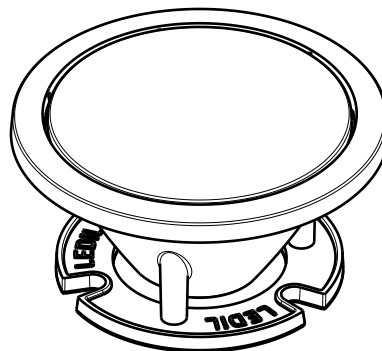
A

NOTE: It is recommended to use glue like DELO-PUR 9895 for pin fastening.

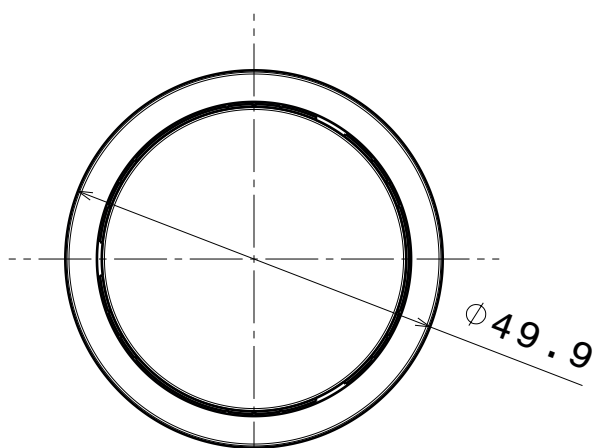
[http://www.delo.de/fileadmin/datasheet/DELO-PUR\\_9895\\_\(TIDB-GB\).pdf](http://www.delo.de/fileadmin/datasheet/DELO-PUR_9895_(TIDB-GB).pdf)



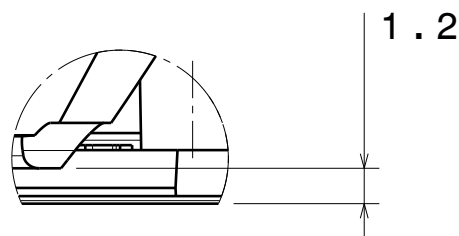
Front view



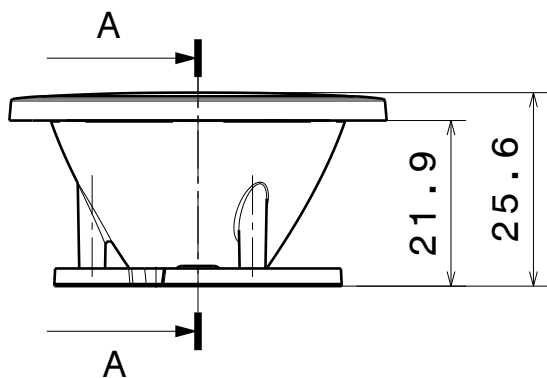
Isometric view



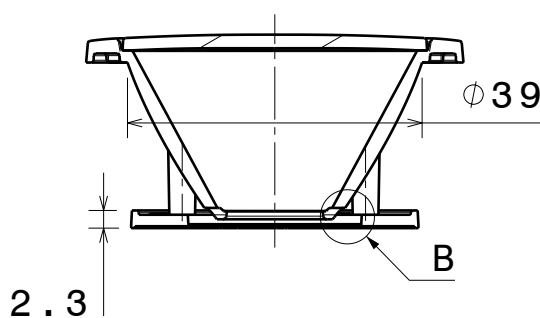
Top view



Detail B



Front view



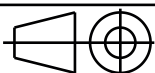
Section view A-A

Tolerances if not otherwise shown  
According to DIN ISO 2768-1  
Linear measures:  
Up to 30mm class M, otherwise class C.  
According to DIN ISO 2768-2  
Form and position: class L

LEDiL

Ledil Oy  
Salorankatu 10  
FIN 24240 SALO  
Finland

THIRD ANGLE PROJECTION:



DRAWING TITLE

MIRELLA-PF CXA15 Datasheet

This drawing is the property of LEDiL Oy. It may not be reproduced, copied or communicated without a written agreement with LEDiL Oy.

SIZE PART NUMBER

A4

-

SCALE 1:1 WEIGHT

-

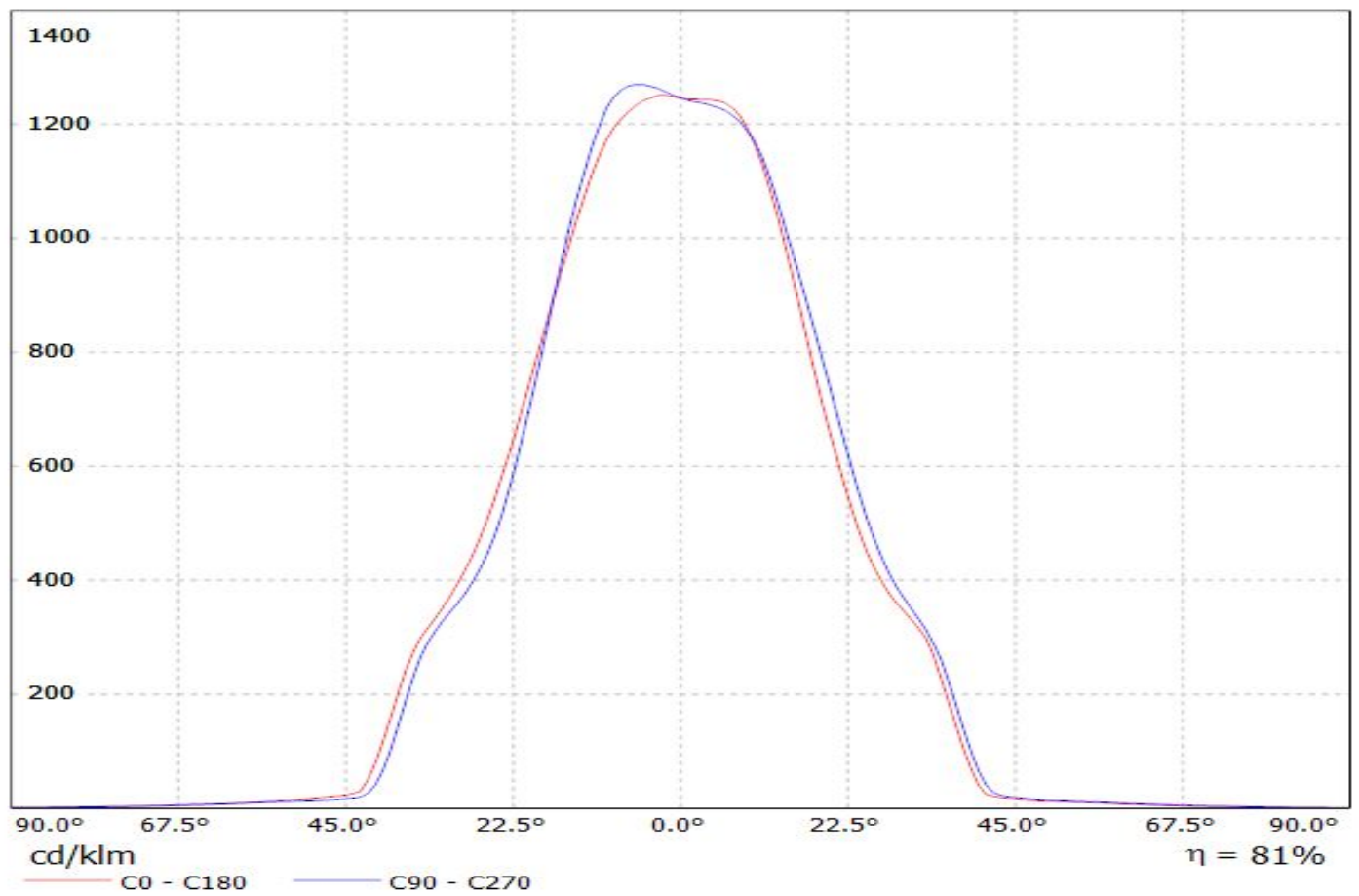
SHEET 1/1

D

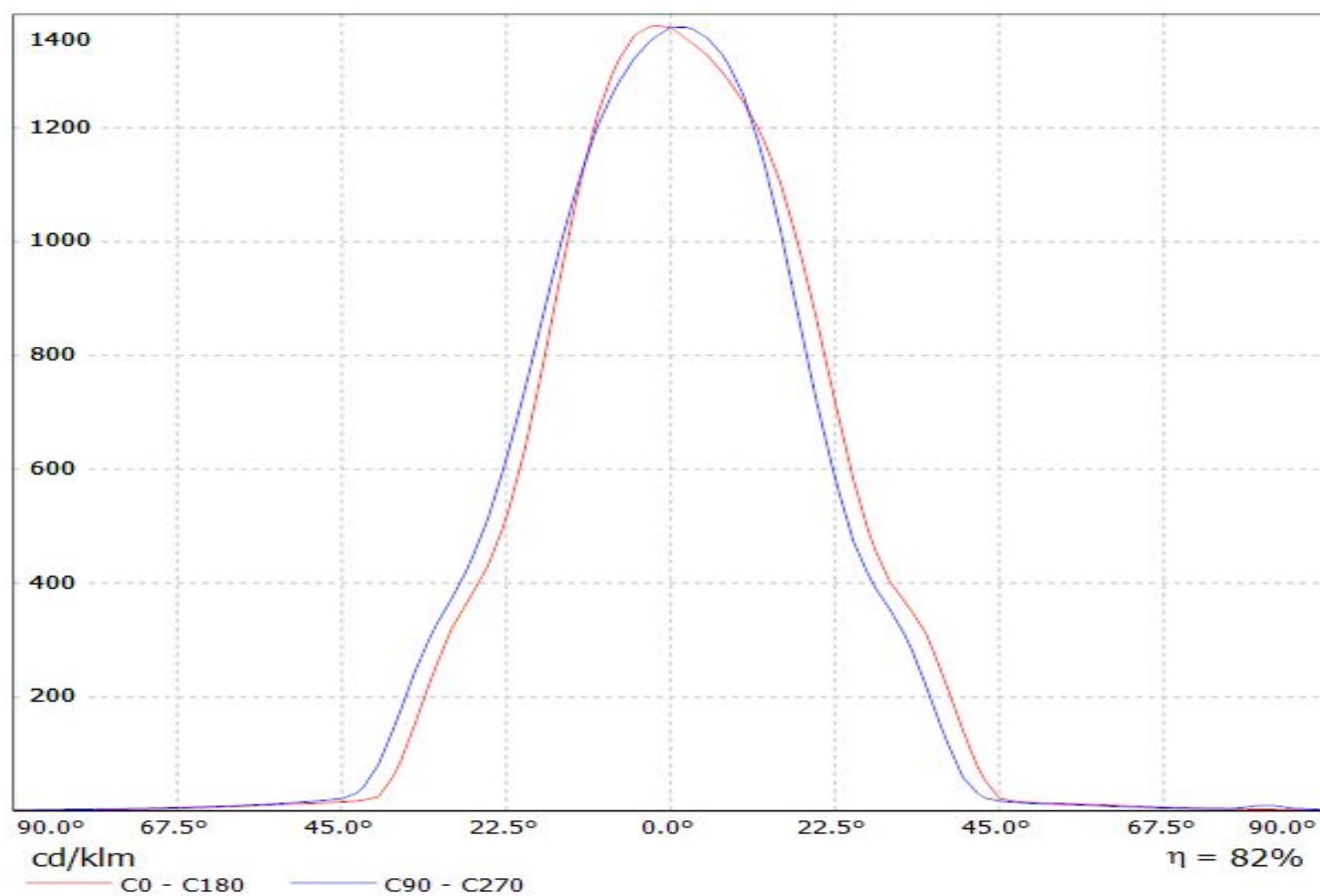
A



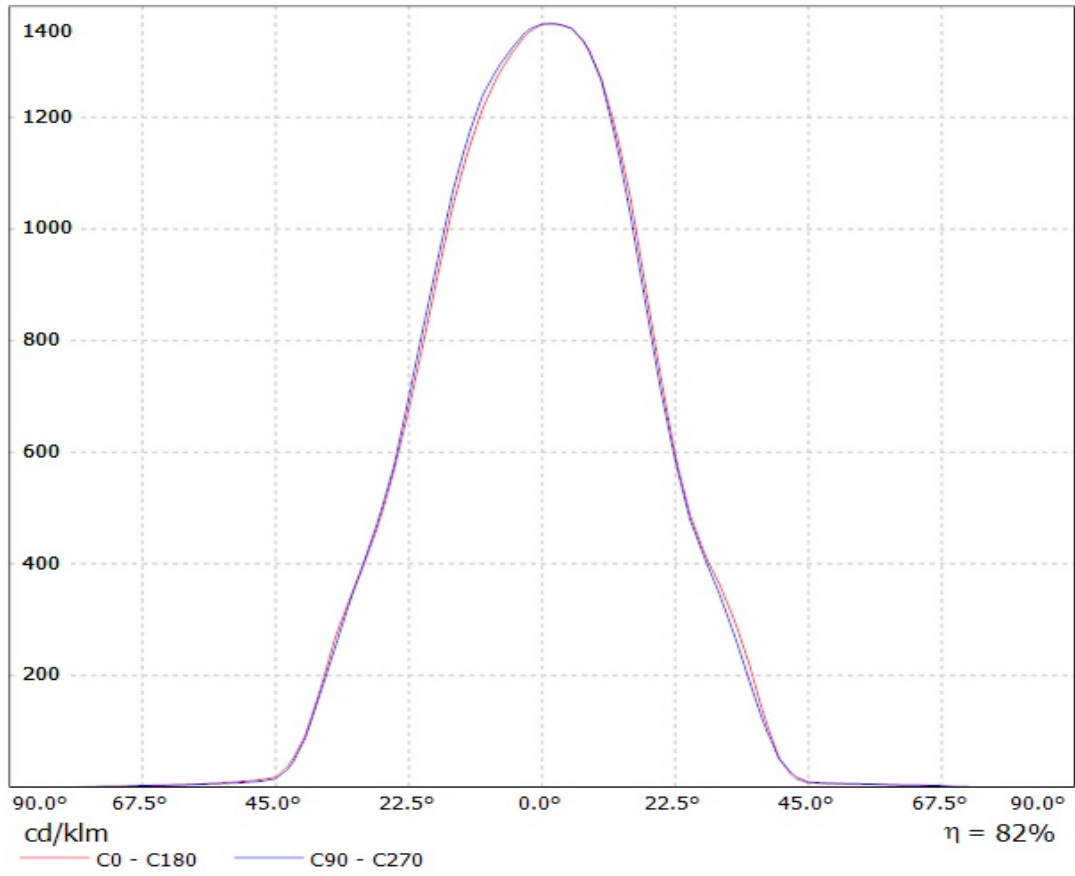
Luminaire: LEDiL Oy CN13772\_MIRELLA-50-W-CL-PF\_(V6) Eff.81.2%  
Lamps: 1 x BRIDGELUX\_V6\_488.215lm@250mA\_P=5.22041W\_I=249.9mA



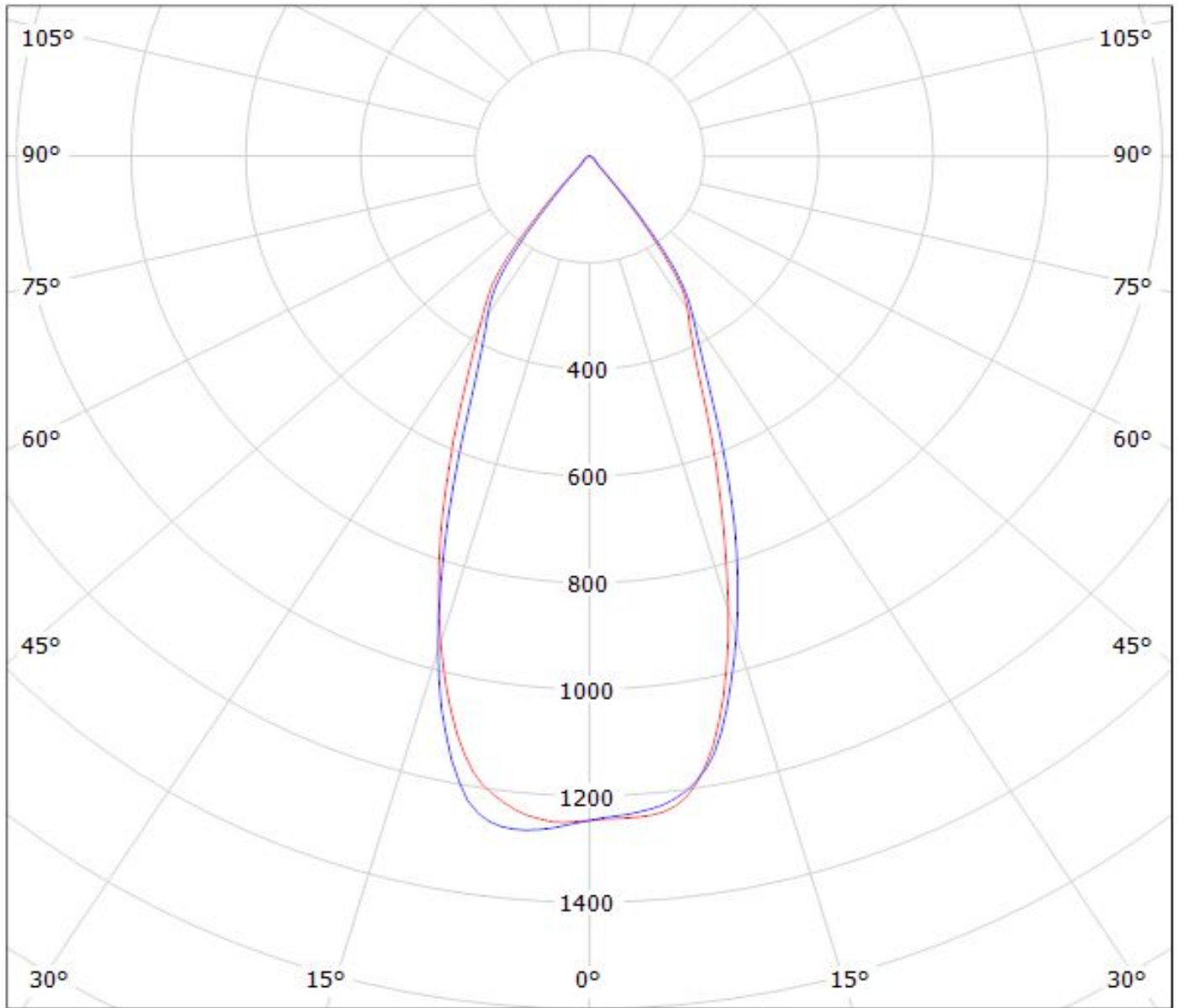
Luminaire: LEDiL Oy CN13772\_MIRELLA-50-W-CL-PF\_(V8) Eff.81.8%  
Lamps: 1 x BRIDGELUX\_V8\_847.064lm@250mA\_P=8.83692W\_I=249.8mA



Luminaire: LEDil Oy CN13772\_MIRELLA-50-W-CL-PF\_(Stark\_SLE\_G3\_LES10) Efficiency=81%  
Lamps: 1 x Tridonic Stark SLE G3 LES10 (STARK-SLE-PURE-G3-10-1000-830-CLA) 453lm @ 250mA CCT=3000K P=4.3W I=250mA



Luminaire: LEDiL Oy CN13772\_MIRELLA-50-W-CL-PF\_(V6) Eff.81.2%  
Lamps: 1 x BRIDGELUX\_V6\_488.215lm@250mA\_P=5.22041W\_I=249.9mA



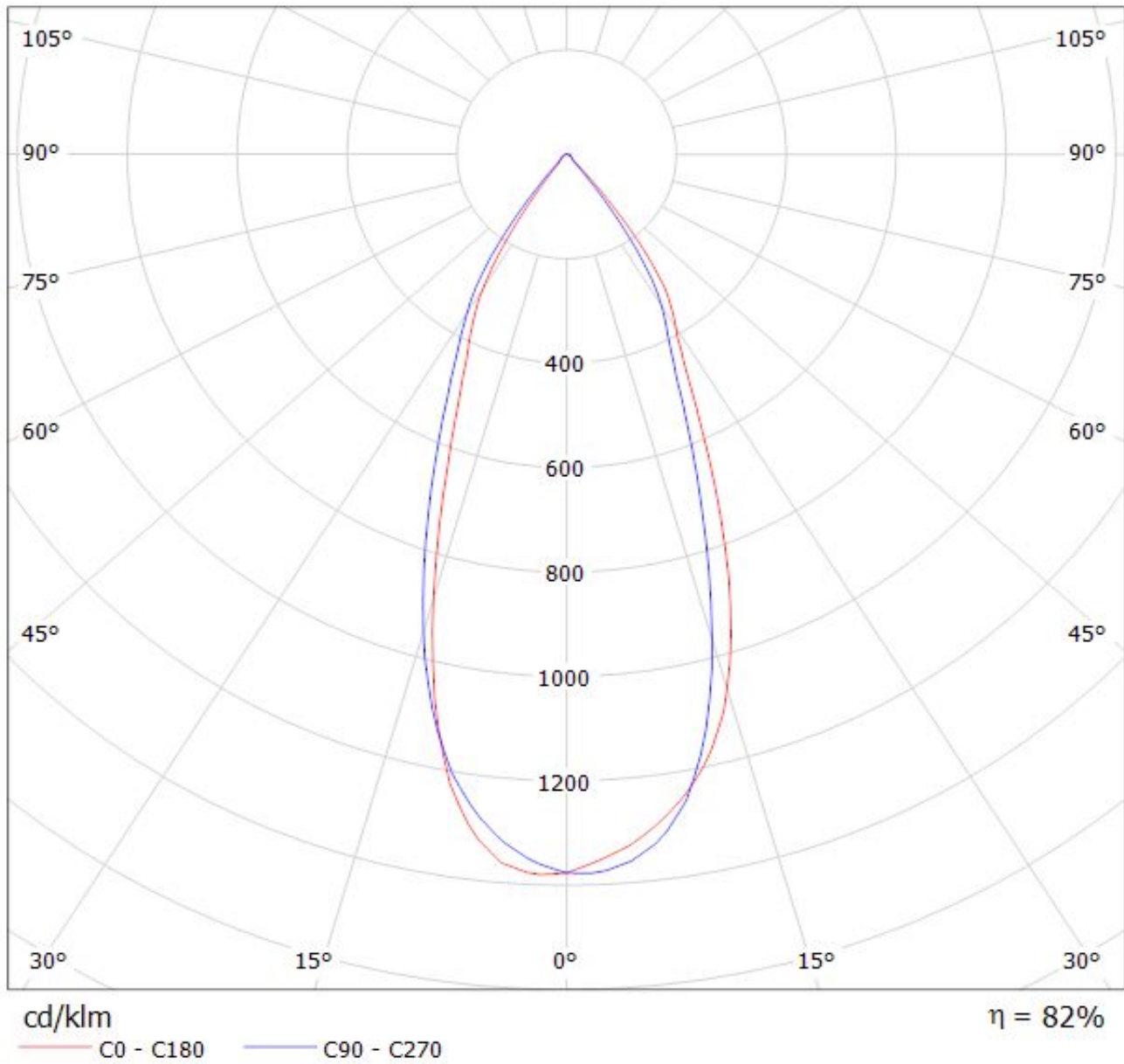
cd/klm

$\eta = 81\%$

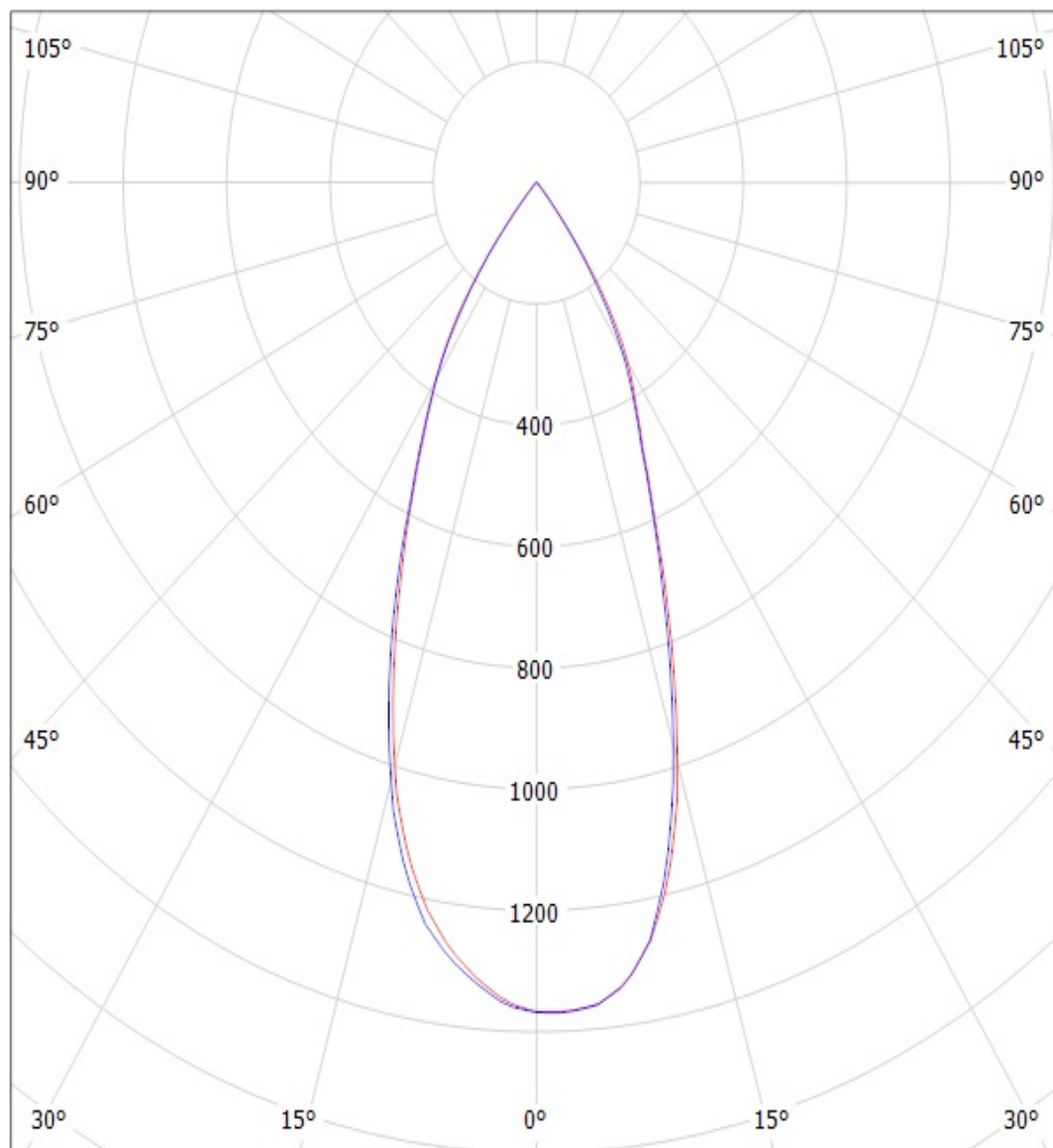
— C0 - C180

— C90 - C270

Luminaire: LEDiL Oy CN13772\_MIRELLA-50-W-CL-PF\_(V8) Eff.81.8%  
Lamps: 1 x BRIDGELUX\_V8\_847.064lm@250mA\_P=8.83692W\_I=249.8mA



Luminaire: LEDil Oy CN13772\_MIRELLA-50-W-CL-PF\_(Stark\_SLE\_G3\_LES10) Efficiency=81%  
Lamps: 1 x Tridonic Stark SLE G3 LES10 (STARK-SLE-PURE-G3-10-1000-830-CLA) 453lm @ 250mA CCT=3000K P=4.3W I=250mA



cd/klm

— C0 - C180    — C90 - C270

**NOTE: The typical divergence will be changed by different color, chip size and chip position tolerance. The typical total divergence is the full angle measured where the luminous intensity is half of the peak value.**

### **GENERAL INFORMATION**

- Product series especially designed & optimized for series of LEDs.
- Special care taken to make light distribution as uniform as possible.

Note! Due to use of high power COB's with this product, special attention to proper thermal design is highly recommended. LEDiL has no liability for direct, indirect or consecutive damages arising from the LEDiL products being used outside of the recommended temperature range.