



Chipsmall Limited consists of a professional team with an average of over 10 year of expertise in the distribution of electronic components. Based in Hongkong, we have already established firm and mutual-benefit business relationships with customers from,Europe,America and south Asia,supplying obsolete and hard-to-find components to meet their specific needs.

With the principle of "Quality Parts,Customers Priority,Honest Operation,and Considerate Service",our business mainly focus on the distribution of electronic components. Line cards we deal with include Microchip,ALPS,ROHM,Xilinx,Pulse,ON,Everlight and Freescale. Main products comprise IC,Modules,Potentiometer,IC Socket,Relay,Connector.Our parts cover such applications as commercial,industrial, and automotives areas.

We are looking forward to setting up business relationship with you and hope to provide you with the best service and solution. Let us make a better world for our industry!



Contact us

Tel: +86-755-8981 8866 Fax: +86-755-8427 6832

Email & Skype: info@chipsmall.com Web: www.chipsmall.com

Address: A1208, Overseas Decoration Building, #122 Zhenhua RD., Futian, Shenzhen, China



DETAILS

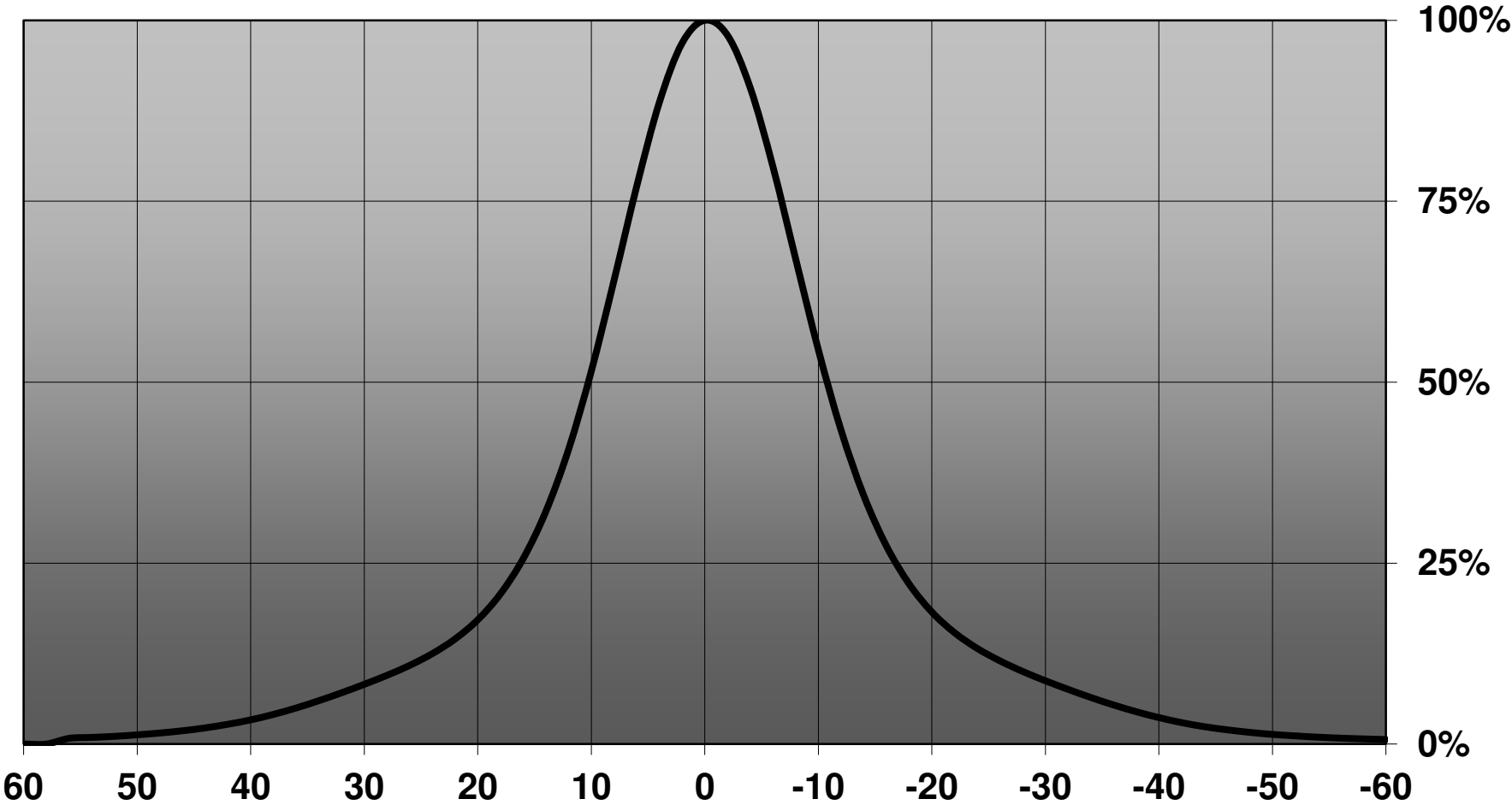
Product Number	CN13902_MIRELLA-50-S-PIN-RZL
Family	Mirella
Type	RefPack
Color	metal
Diameter	49,9 mm
Height	24 mm
Style	round
Optic Material	PC
Holder Material	
Fastening	socket, screw
Status	production ready
ROHS Compliant	Yes
Date Updated	22/04/2014



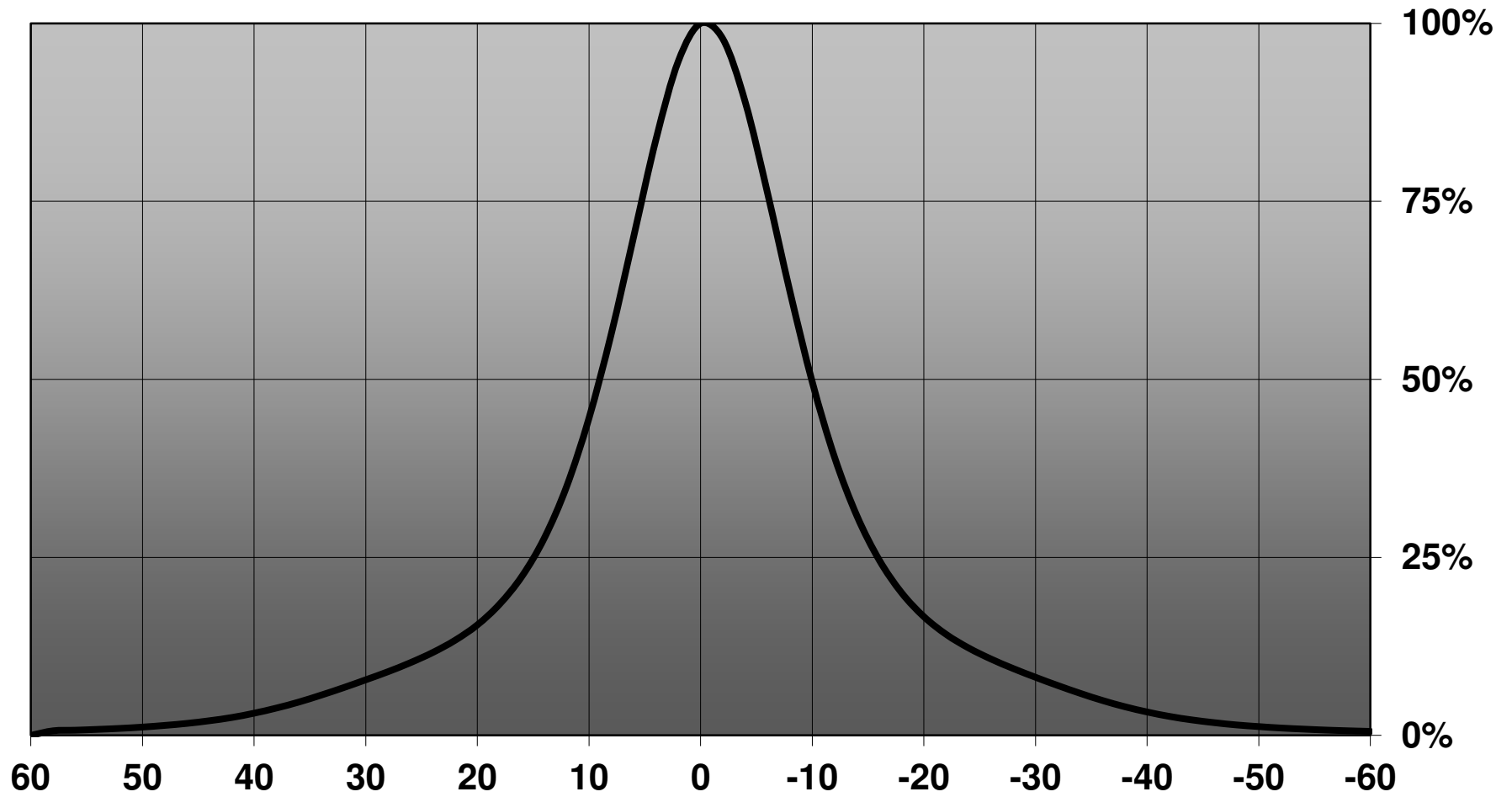
OPTICAL PROPERTIES

LED	Viewing Angle	Light Beam	Efficiency	cd/lm	Connector
XM-L RGB	21 deg	Spot	84 %	3.350	-
XHP50	22 deg	Spot	86 %	2.800	-
LUXEON Z RGB	18 deg	Spot	82 %	3.400	-
LUXEON C RGBW	22 deg	Spot	81 %	3.130	-
Ostar-SMT RGB	19 deg	Spot	85 %	3.710	-
F50360 (RGB)	19 deg	Spot	86 %	3.750	-
F50360 (RGB)	21 deg	Spot	84 %	3.300	-

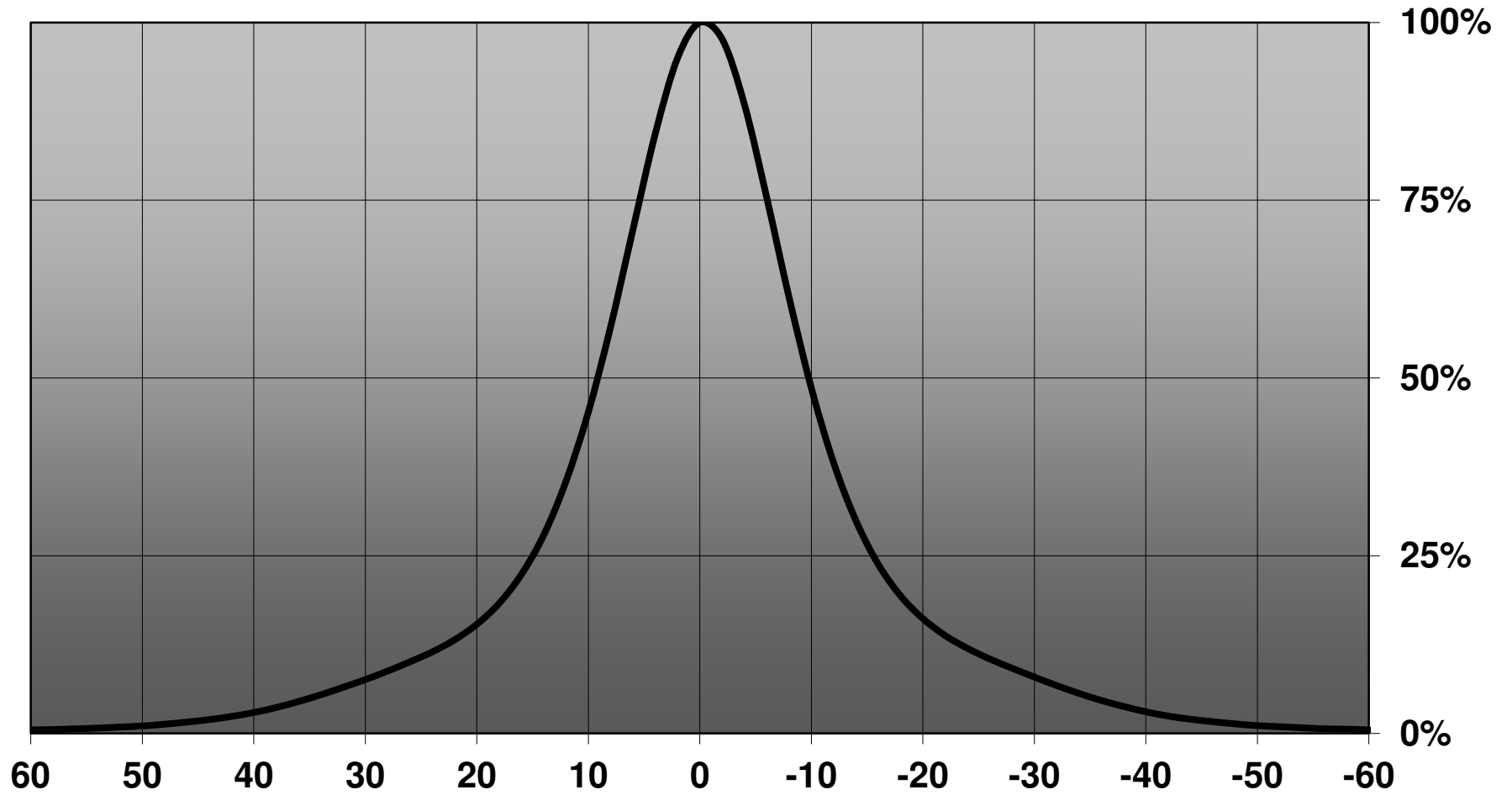
Relative intensity of CN13902_MIRELLA-50-S-PIN-RZL_(XM-L RGB)



Relative intensity of CN13902_MIRELLA-50-S-PIN-RZL_(SMT RGB)



Relative intensity of CN13902_MIRELLA-50-S-PIN-RZL_(F50360 RGB)



D

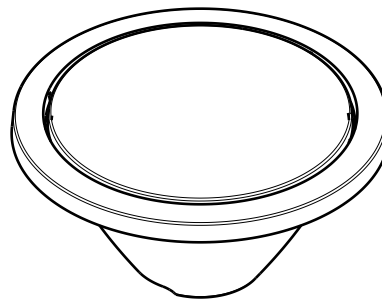
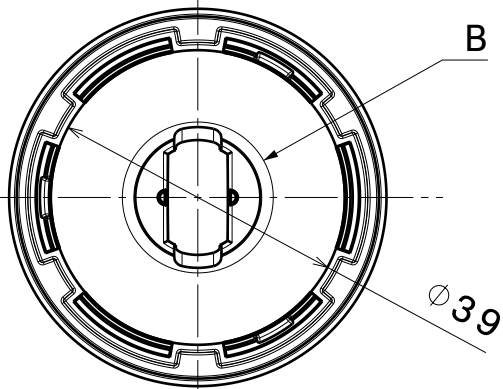
C

B

A

4

4

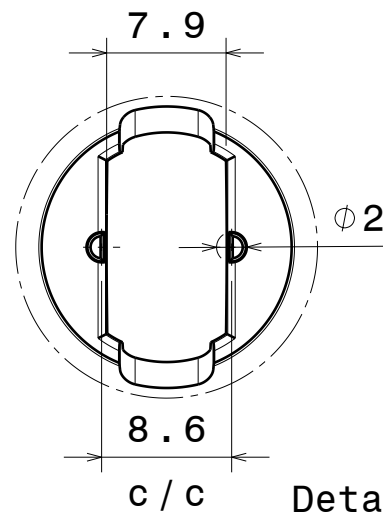
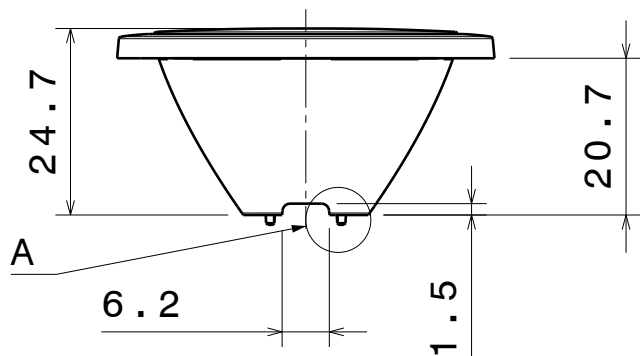


Bottom view

Isometric view

3

3

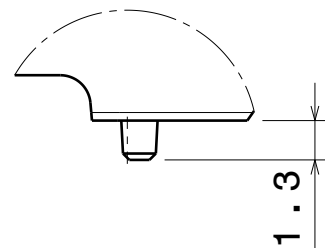
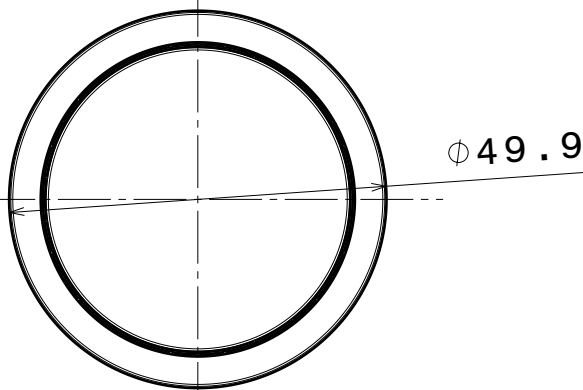


Front view

c / c Detail B

2

2



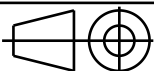
Top view

Detail A

Tolerances if not otherwise shown
 According to DIN ISO 2768-1
 Linear measures:
 Up to 30mm class M, otherwise class C.
 According to DIN ISO 2768-2
 Form and position: class L

LEDiL LediL Oy
 Salorankatu 10
 FIN 24240 SALO
 Finland

THIRD ANGLE PROJECTION:



DRAWING TITLE

Datasheet MIRELLA-PIN-RZL

This drawing is the property
 of LEDiL Oy. It may not be
 reproduced, copied or
 communicated without a written
 agreement with LEDiL Oy."

SIZE PART NUMBER

A4

-

SCALE 1:1 WEIGHT

-

SHEET 1/1

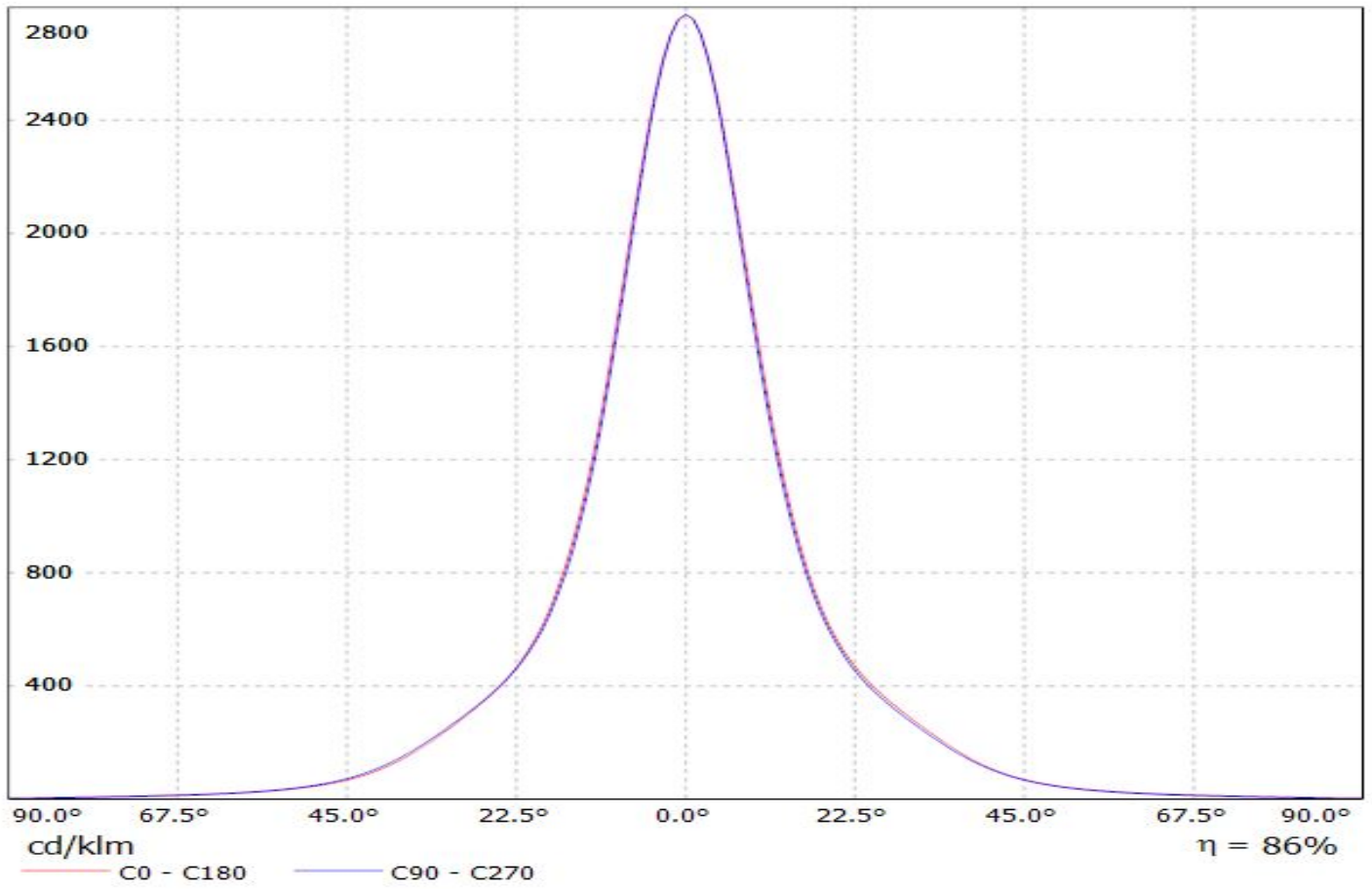
D

A

1

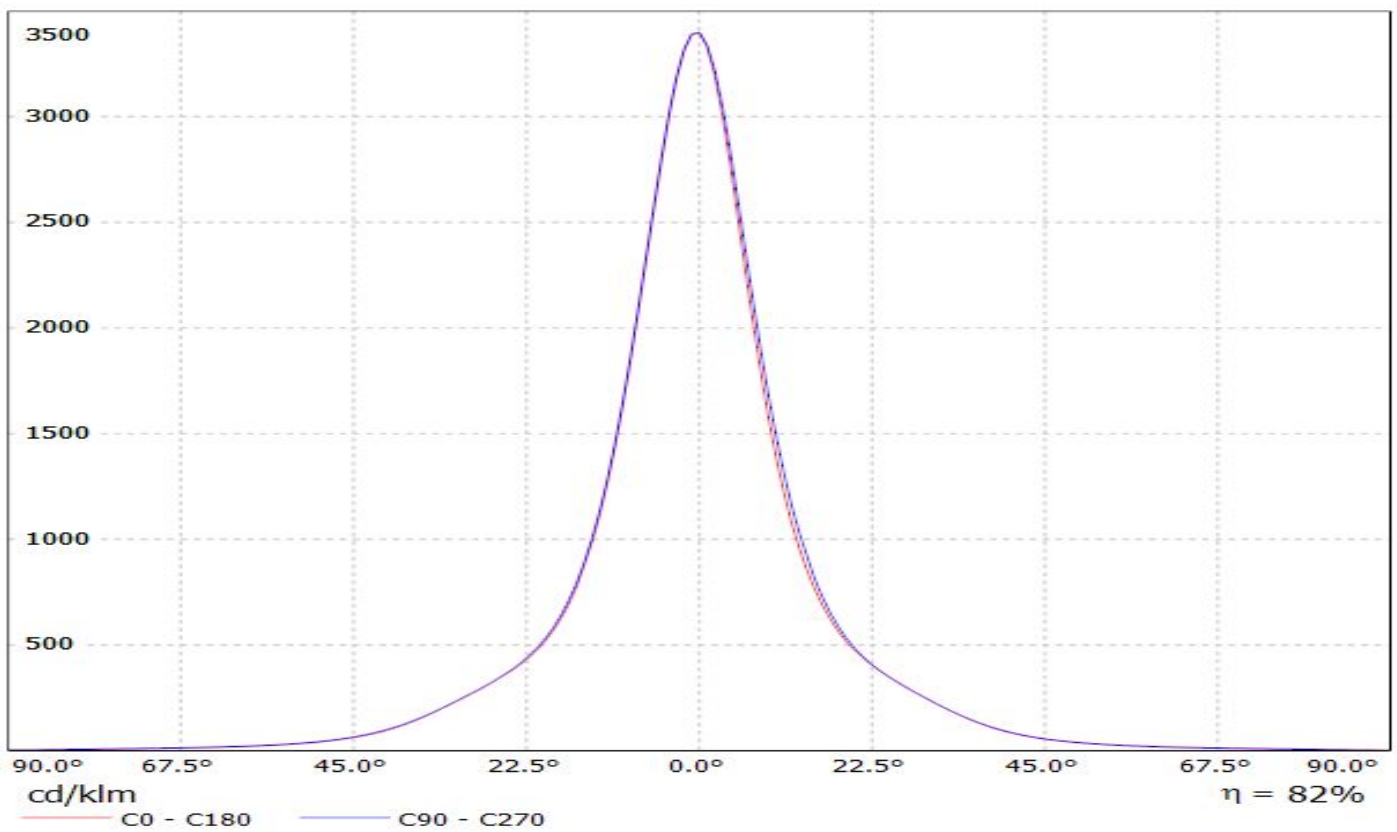
1

Luminaire: LEDiL Oy CN13902_MIRELLA-50-S-PIN-RZL_(CREE_XHP50_WARM_WHITE)
Lamps: 1 x CREE_XHP50_WARM_WHITE_195.126lm@250mA_P=1.39922W_I=0.2499A

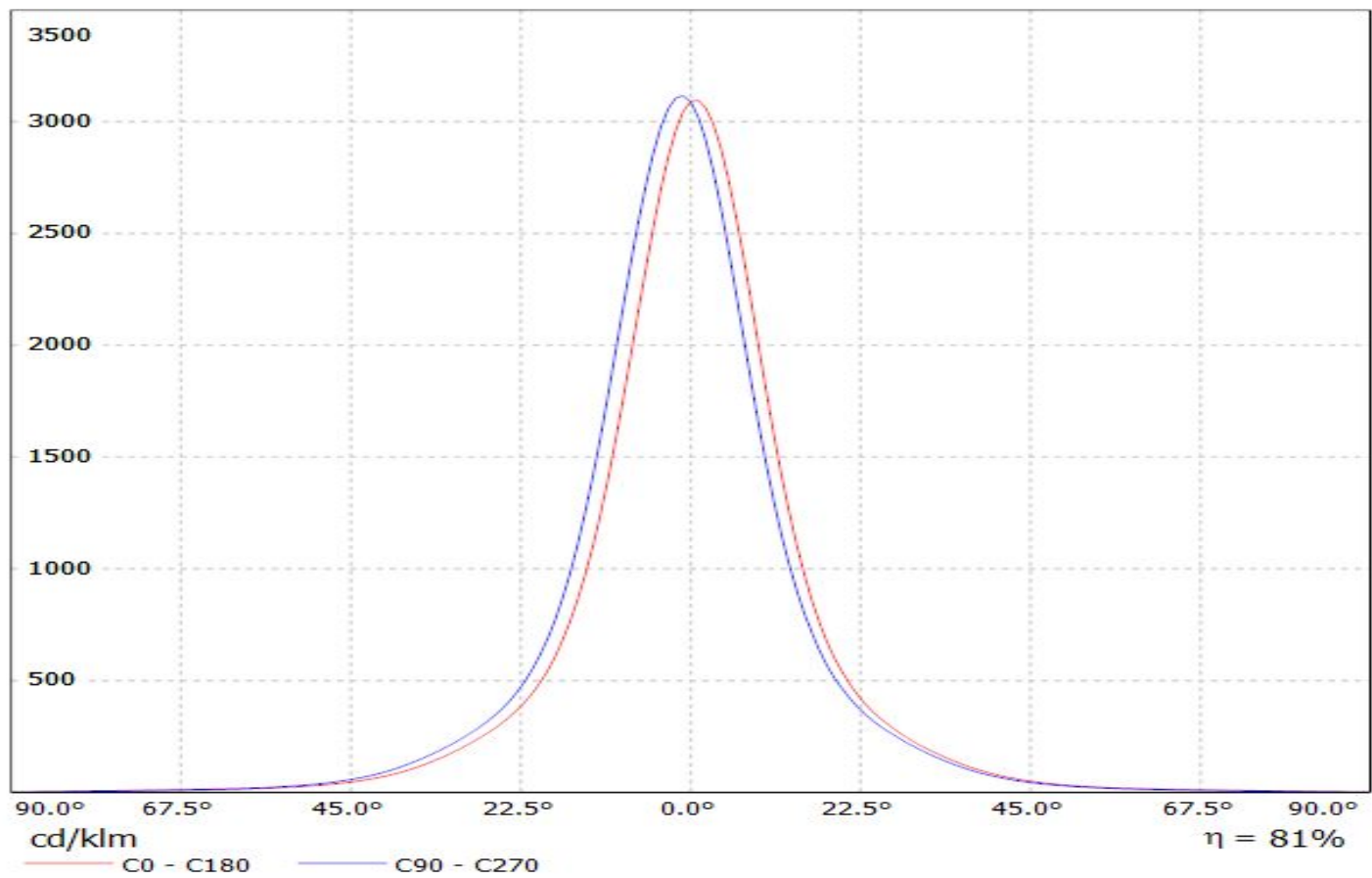


LEDiL Oy CN13902_MIRELLA-50-S-PIN-RZL_(Luxeon-Z_RGB) Eff.82.1% / LDC (Linear)

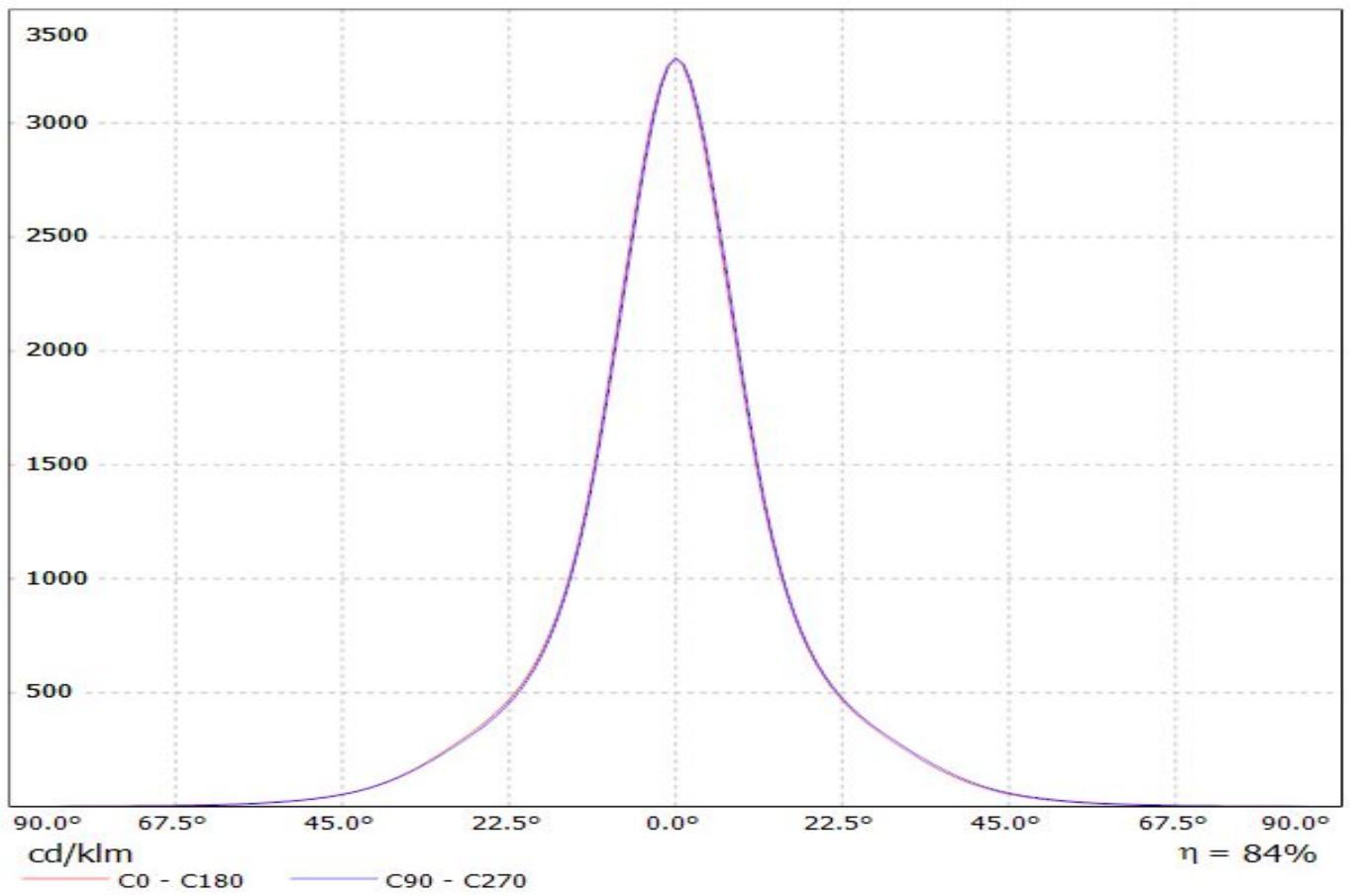
Luminaire: LEDiL Oy CN13902_MIRELLA-50-S-PIN-RZL_(Luxeon-Z_RGB) Eff.82.1%
Lamps: 1 x Luxeon-Z_RGB_161.075lm@250mA_P=2.64394W_I=249.9mA



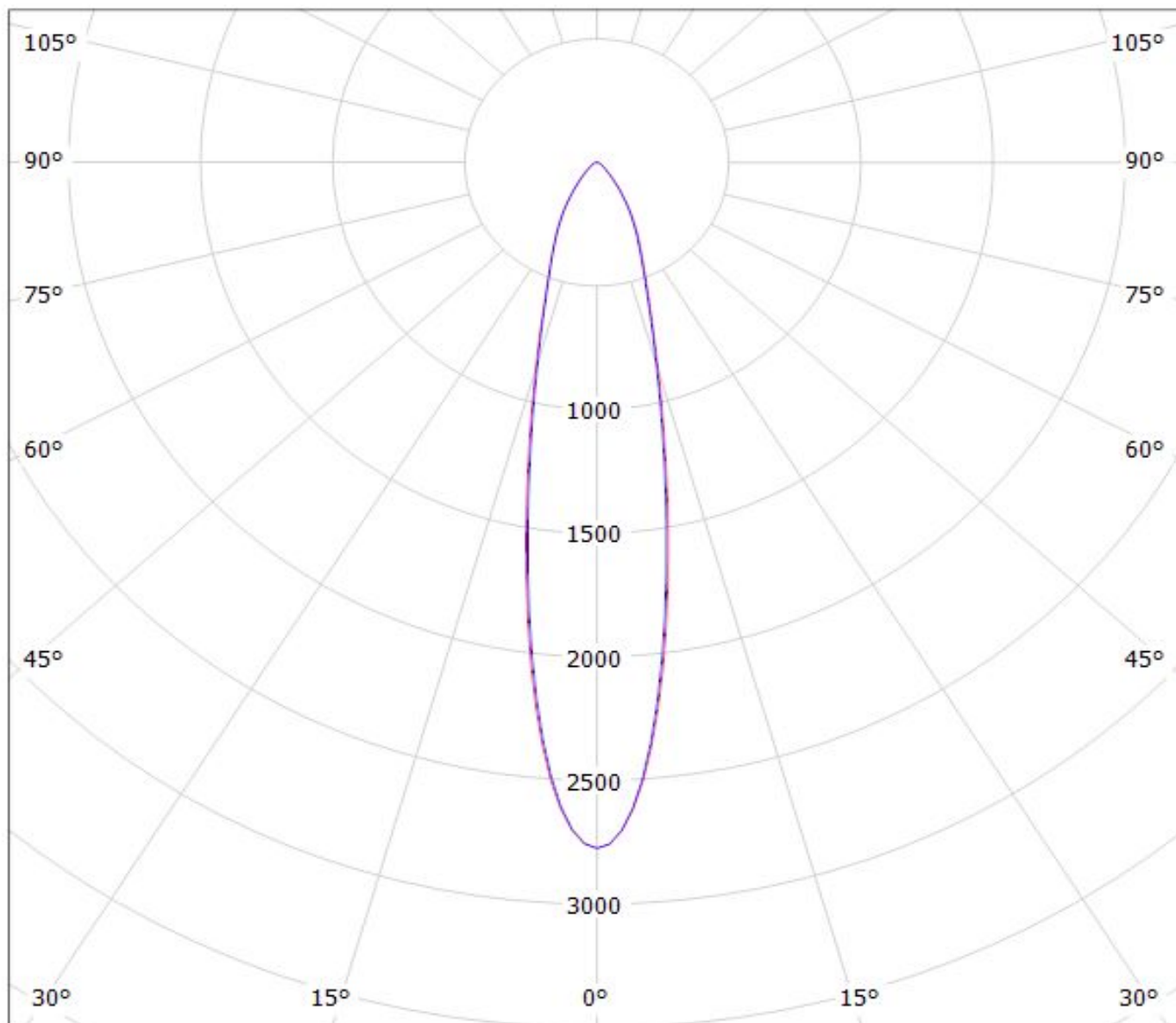
Luminaire: LEDiL Oy CN13902_MIRELLA-50-S-PIN-RZL_(Luxeon_C_RGBW)
Lamps: 1 x Luxeon_C_RGBW_208.984lm@250mA_P=2.5474W_I=0.250A



Luminaire: Ledil Oy
Lamps: 1 x CN13902_MIRELLA-50-S-PIN-RZL_(F50360_RGB)



Luminaire: LEDiL Oy CN13902_MIRELLA-50-S-PIN-RZL_(CREE_XHP50_WARM_WHITE)
Lamps: 1 x CREE_XHP50_WARM_WHITE_195.126lm@250mA_P=1.39922W_I=0.2499A



cd/klm

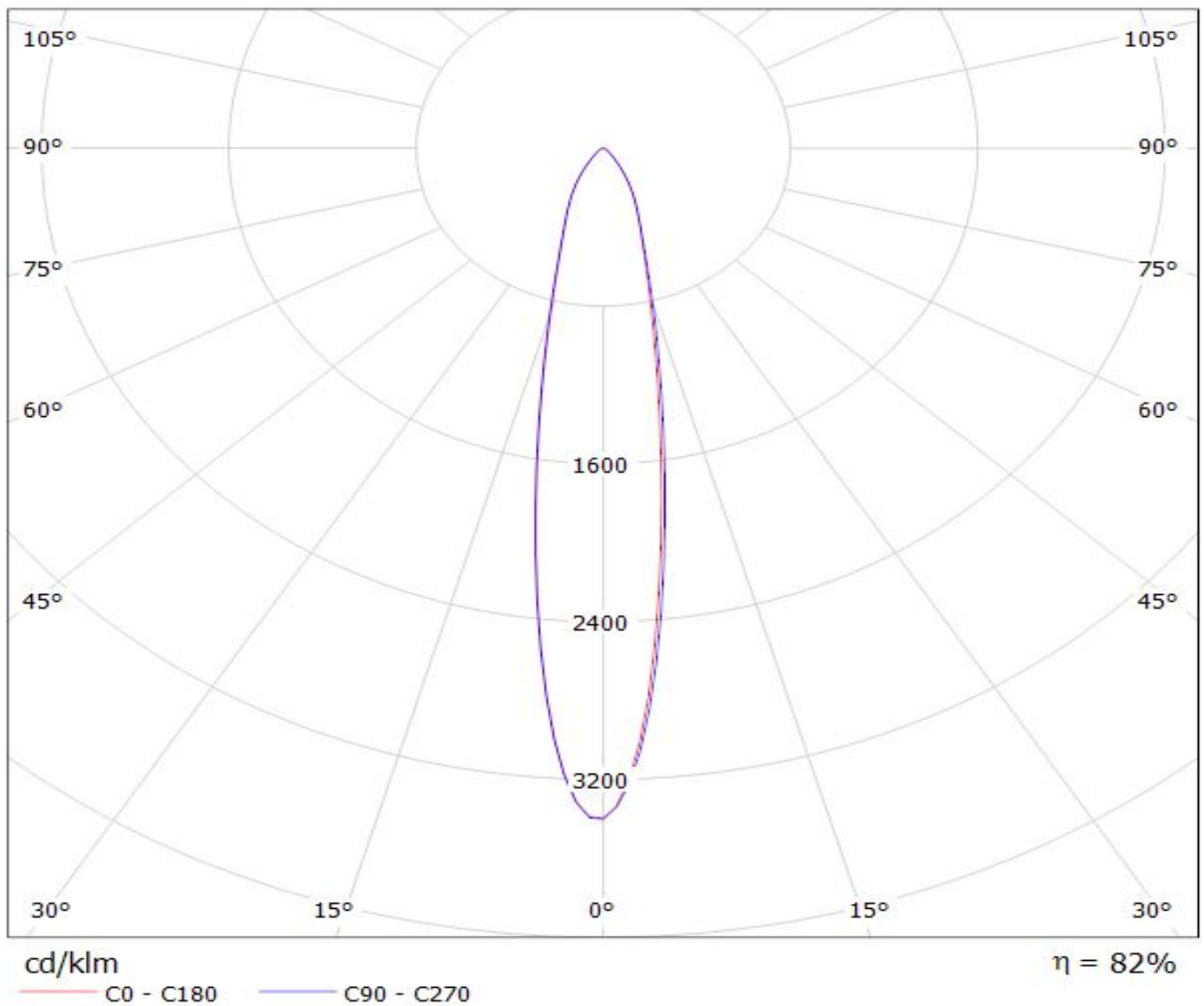
— C0 - C180

— C90 - C270

$\eta = 86\%$

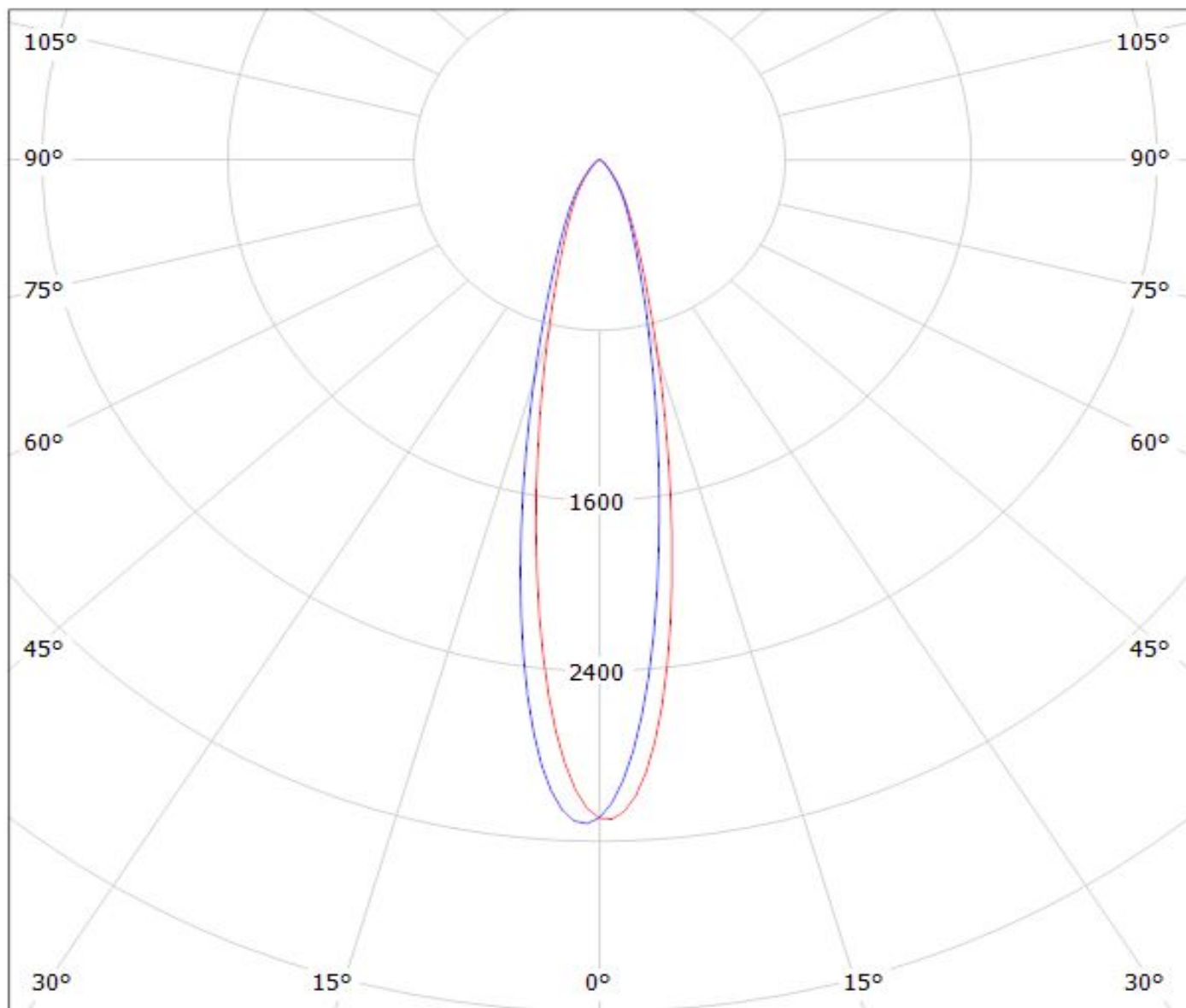
LEDiL Oy CN13902_MIRELLA-50-S-PIN-RZL_(Luxeon-Z_RGB) Eff.82.1% / LDC (Polar)

Luminaire: LEDiL Oy CN13902_MIRELLA-50-S-PIN-RZL_(Luxeon-Z_RGB) Eff.82.1%
Lamps: 1 x Luxeon-Z_RGB_161.075lm@250mA_P=2.64394W_I=249.9mA



Luminaire: LEDiL Oy CN13902_MIRELLA-50-S-PIN-RZL_(Luxeon_C_RGBW)

Lamps: 1 x Luxeon_C_RGBW_208.984lm@250mA_P=2.5474W_I=0.250A



cd/klm

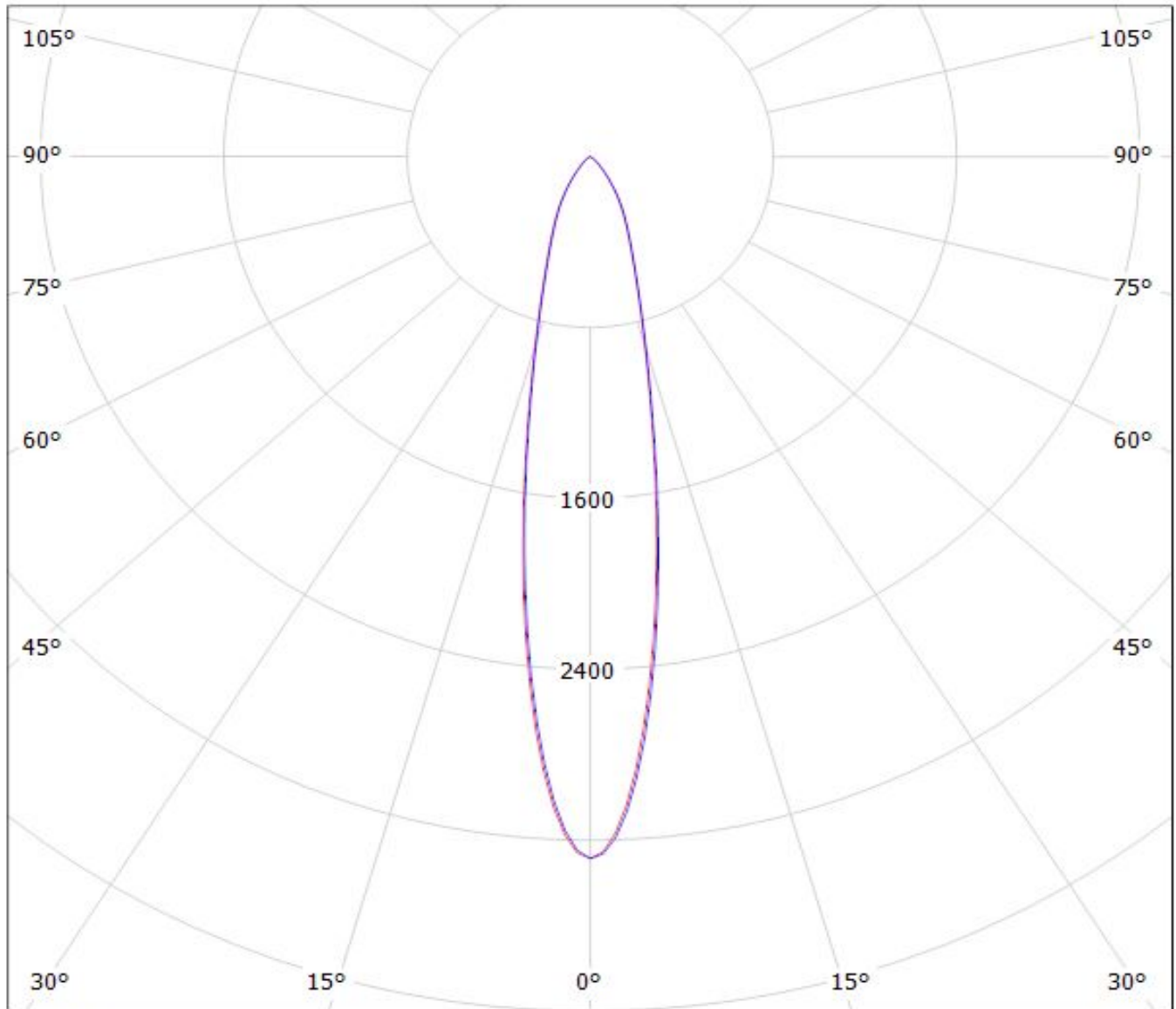
— C0 - C180

— C90 - C270

$\eta = 81\%$

Luminaire: Ledil Oy

Lamps: 1 x CN13902_MIRELLA-50-S-PIN-RZL_(F50360_RGB)



cd/klm

$\eta = 84\%$

— C0 - C180 — C90 - C270

NOTE: The typical divergence will be changed by different color, chip size and chip position tolerance. The typical total divergence is the full angle measured where the luminous intensity is half of the peak value.