



Chipsmall Limited consists of a professional team with an average of over 10 year of expertise in the distribution of electronic components. Based in Hongkong, we have already established firm and mutual-benefit business relationships with customers from,Europe,America and south Asia,supplying obsolete and hard-to-find components to meet their specific needs.

With the principle of “Quality Parts,Customers Priority,Honest Operation,and Considerate Service”,our business mainly focus on the distribution of electronic components. Line cards we deal with include Microchip,ALPS,ROHM,Xilinx,Pulse,ON,Everlight and Freescale. Main products comprise IC,Modules,Potentiometer,IC Socket,Relay,Connector.Our parts cover such applications as commercial,industrial, and automotives areas.

We are looking forward to setting up business relationship with you and hope to provide you with the best service and solution. Let us make a better world for our industry!



Contact us

Tel: +86-755-8981 8866 Fax: +86-755-8427 6832

Email & Skype: info@chipsmall.com Web: www.chipsmall.com

Address: A1208, Overseas Decoration Building, #122 Zhenhua RD., Futian, Shenzhen, China



DETAILS

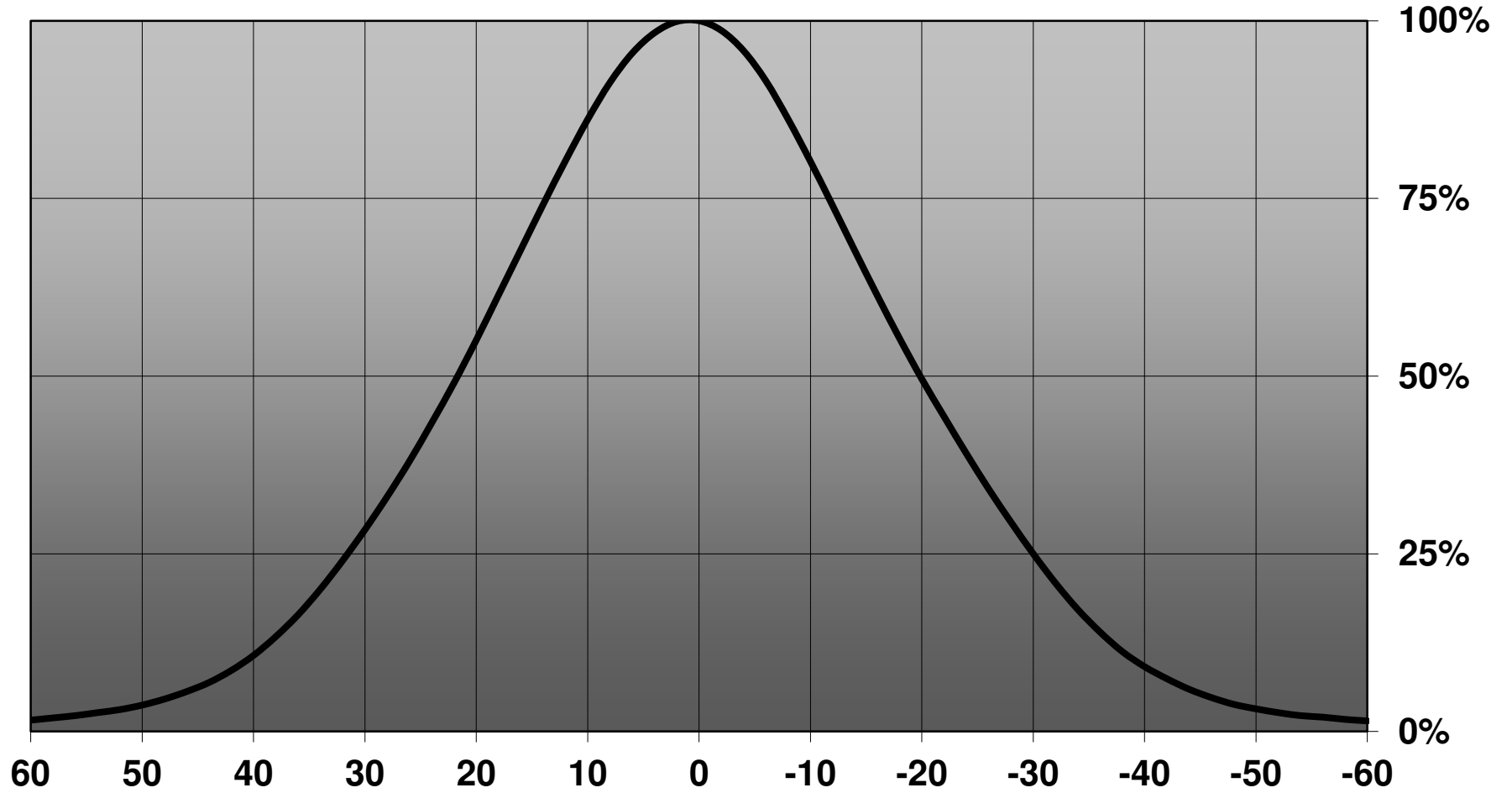
Product Number	CN13907_MIRELLA-50-W-PF-RZL
Family	Mirella
Type	RefPack
Color	metal
Diameter	49,9 mm
Height	25,6 mm
Style	round
Optic Material	PC
Holder Material	
Fastening	screw, socket
Status	production ready
ROHS Compliant	Yes
Date Updated	2/11/2016



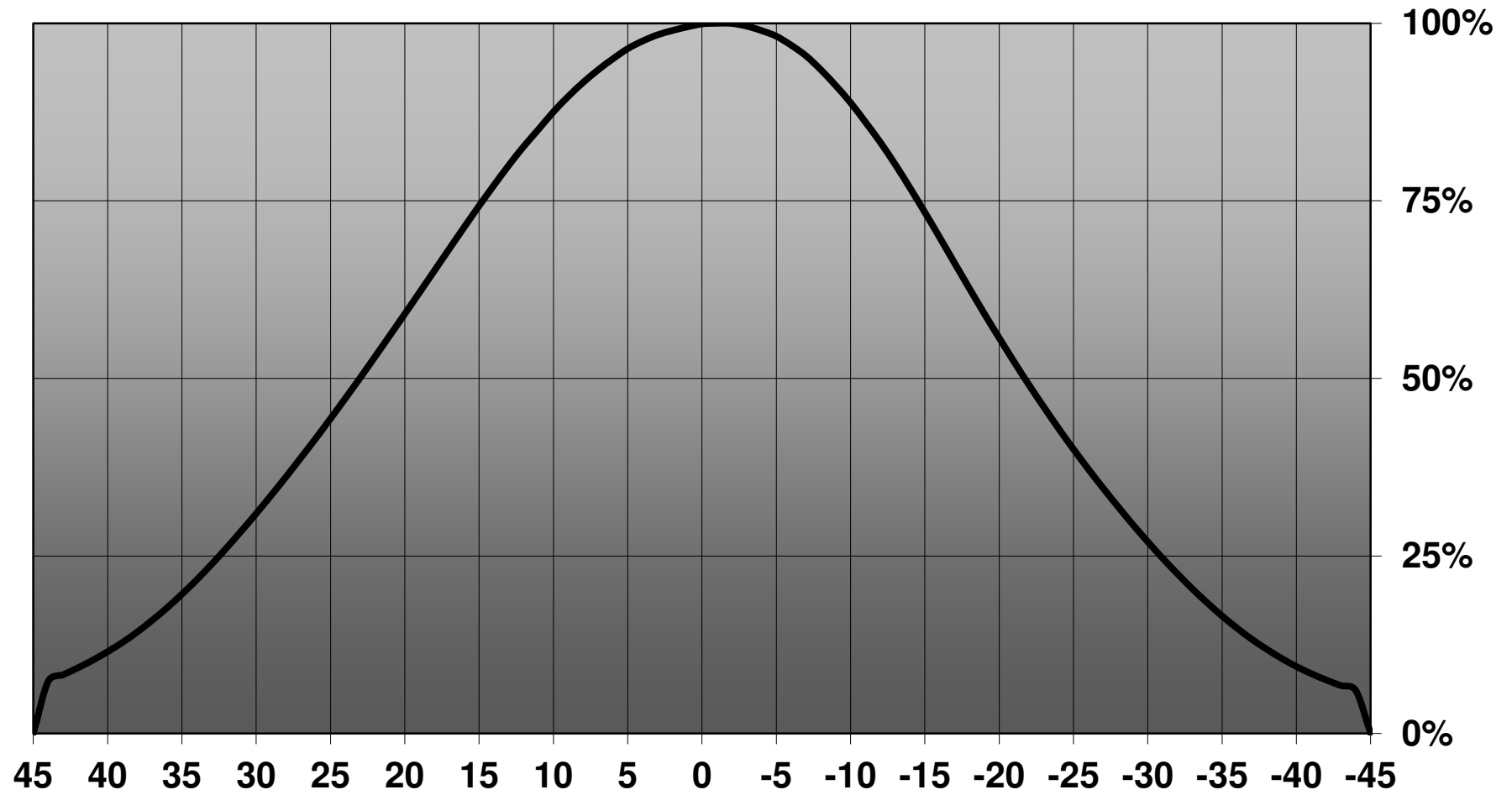
OPTICAL PROPERTIES

LED	Viewing	Light	Efficiency	cd/lm	Connector
	Angle	Beam			
CLL02x/CLU02x (LES10)	46 deg	Wide	-	0.700	-
CLU700/701	42 deg	Wide	81 %	1.300	-
XM-L RGB	41 deg	Wide	80 %	1.300	-
XHP50	38 deg	Wide	80 %	1.300	-
XHP70	44 deg	Wide	79 %	1.200	-
MHD-E/G	45 deg	Wide	82 %	1.100	-
XQ-E HI RGBW	42 deg	Wide	87 %	1.380	-
LUXEON Z RGB	36 deg	Wide	79 %	1.500	-
CXM-9	48 deg	Wide	80 %	1.100	-
Ostar-SMT RGB	37 deg	Wide	81 %	1.500	-
Duris S10	45 deg	Wide	80 %	1.300	LEDiL: LEDiL
OSTAR Stage (S2WP)	36 deg	Wide	83 %	1.600	LEDiL: LEDiL
Soleriq S9	sim: 50	Wide	sim: 85 %	sim: 1.200	-

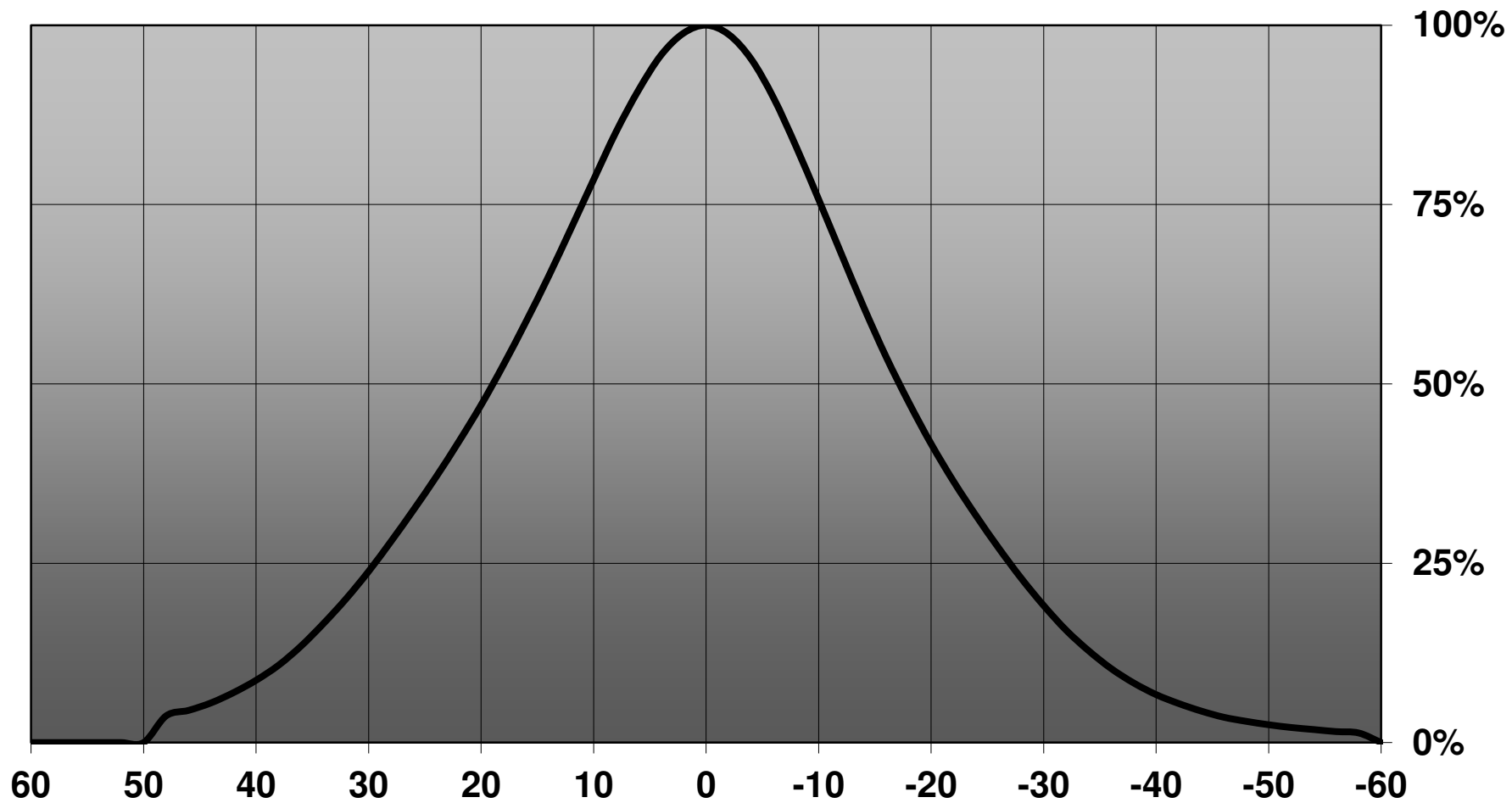
Relative intensity of CN13907_MIRELLA-50-W-PF-RZL_(XQ-E_HI_RGBW)



Relative intensity of CN13907_MIRELLA-50-W-PF-RZL_(Duris_S10)



Relative intensity of CN13907_MIRELLA-50-W-PF-RZL_(Osram_Stage_S2WP)



D

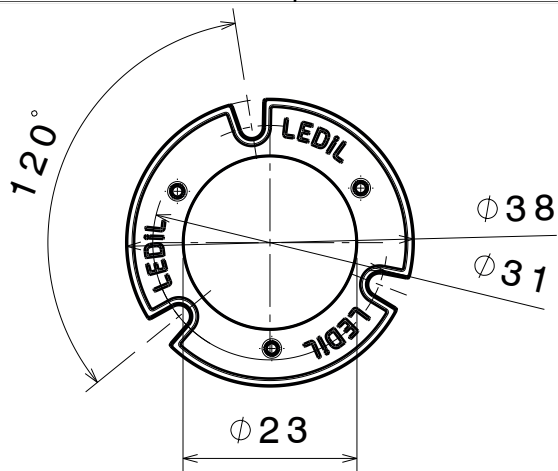
C

B

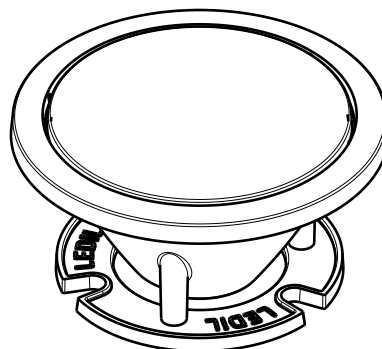
A

NOTE: It is recommended to use glue like DELO-PUR 9895 for pin fastening.

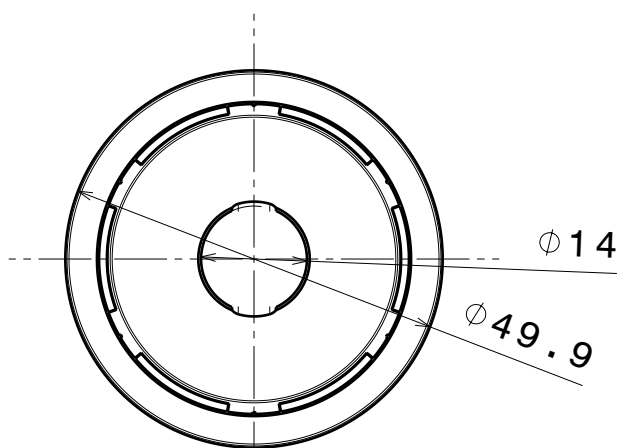
[http://www.delo.de/fileadmin/datasheet/DELO-PUR_9895_\(TIDB-GB\).pdf](http://www.delo.de/fileadmin/datasheet/DELO-PUR_9895_(TIDB-GB).pdf)



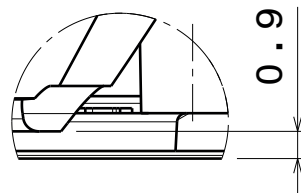
Front view



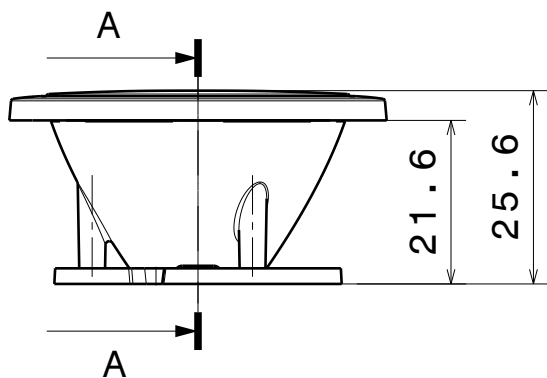
Isometric view



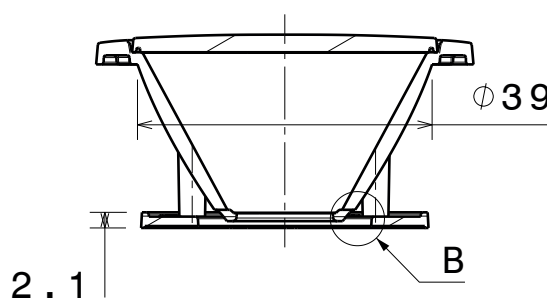
Top view



Detail B



Front view



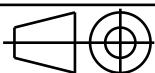
Section view A-A

Tolerances if not otherwise shown
According to DIN ISO 2768-1
Linear measures:
Up to 30mm class M, otherwise class C.
According to DIN ISO 2768-2
Form and position: class L

LEDiL

Ledil Oy
Salorankatu 10
FIN 24240 SALO
Finland

THIRD ANGLE PROJECTION:



DRAWING TITLE

MIRELLA-PF-RZL Datasheet

This drawing is the property of LEDiL Oy. It may not be reproduced, copied or communicated without a written agreement with LEDiL Oy.

SIZE PART NUMBER

A4

-

SCALE 1:1 WEIGHT

-

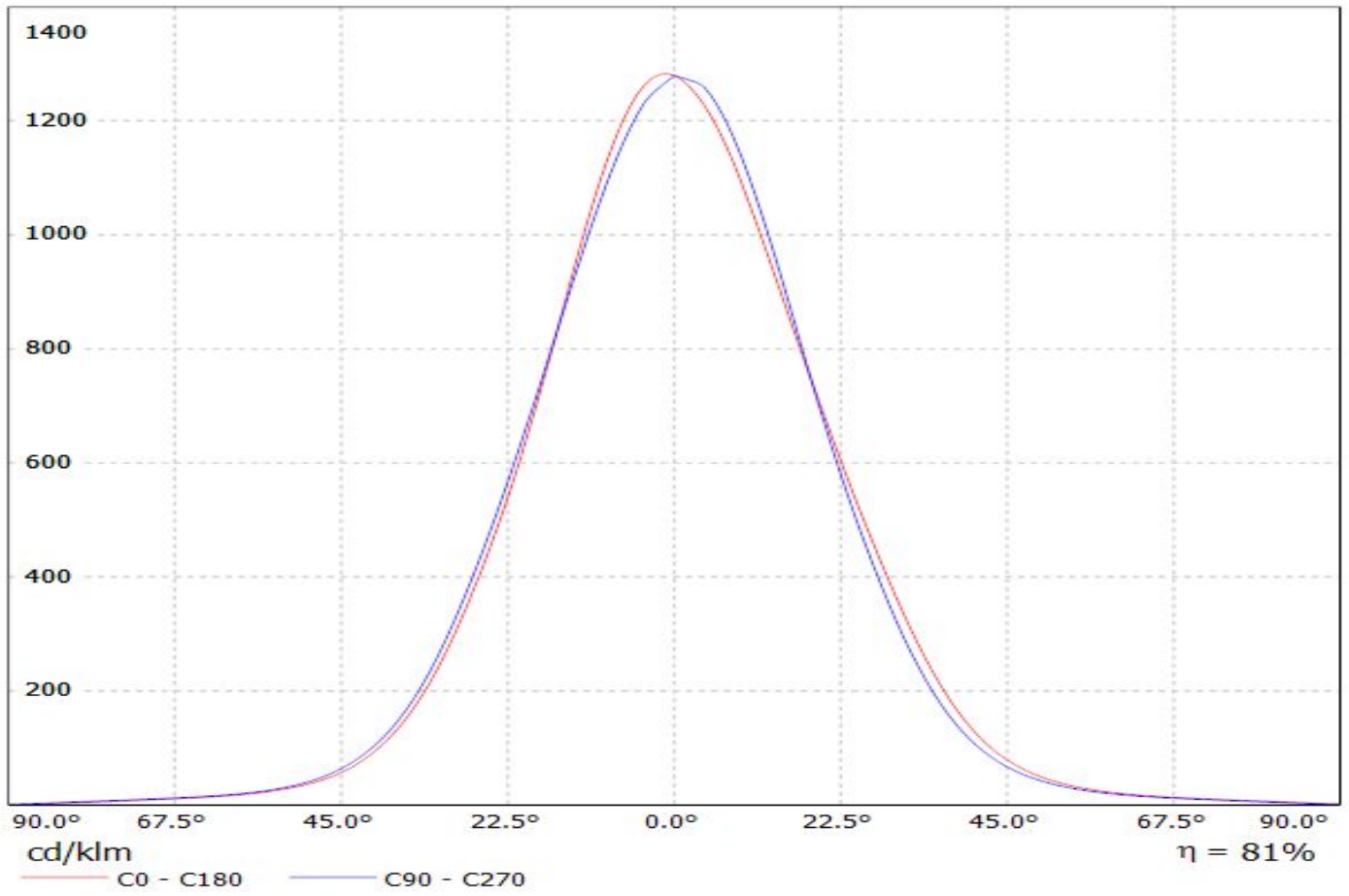
SHEET 1/1

D

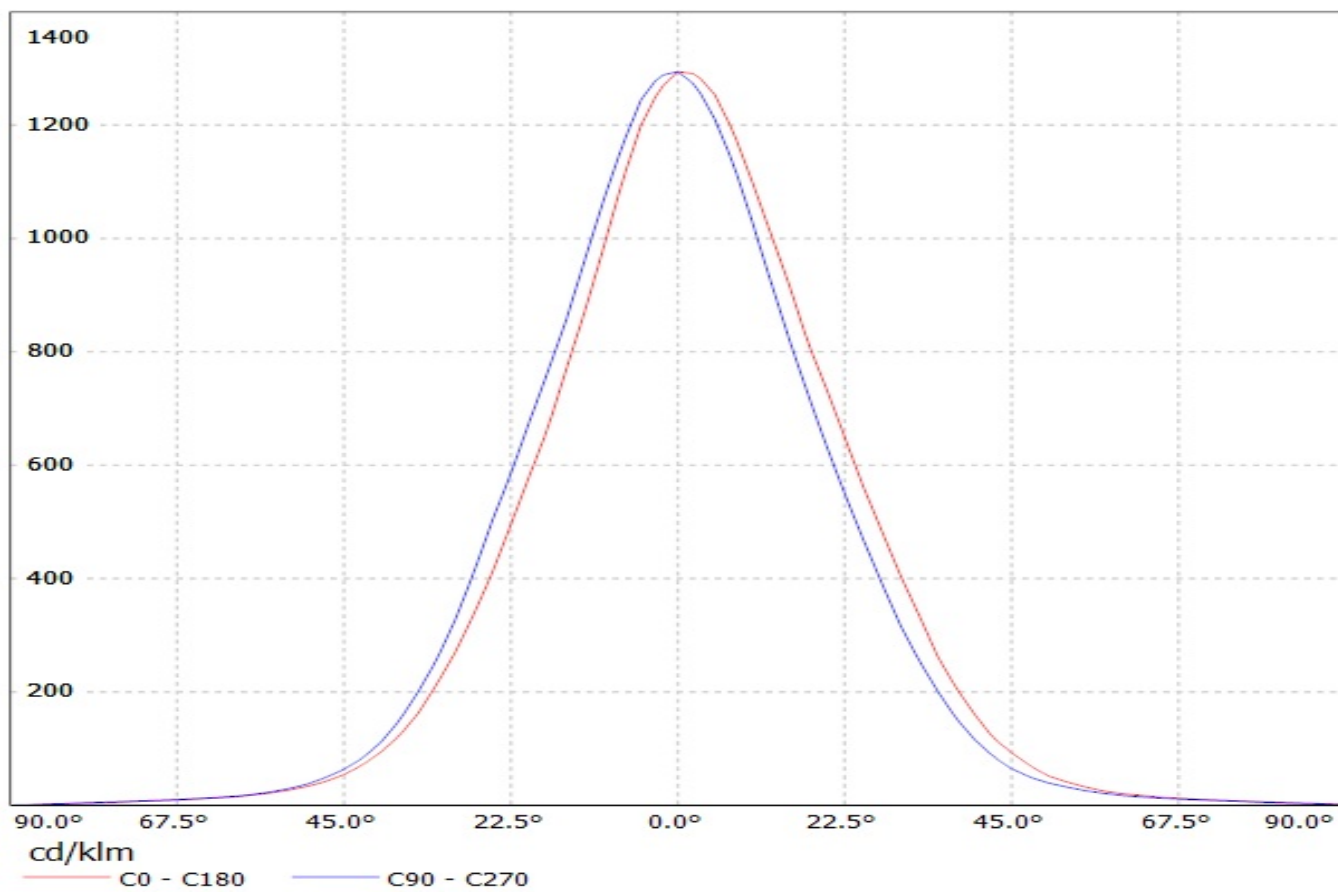
A

Luminaire: LEDiL Oy CN13907_MIRELLA-50-W-PF-RZL_(CLU700)

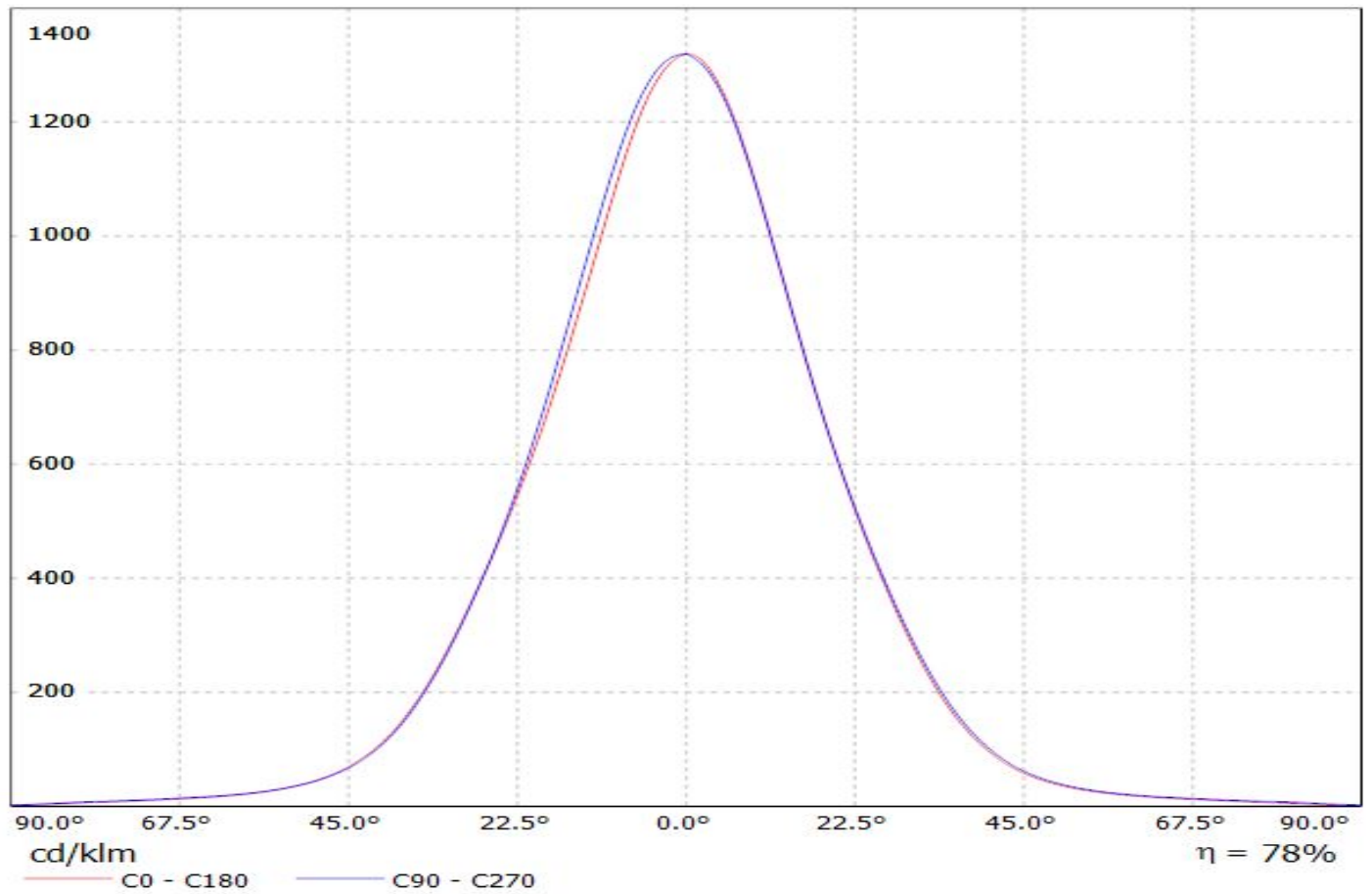
Lamps: 1 x Citizen_CLU700_(C13083_PF-SOCKET)_384.09lm@100mA_P=2.90608W_I=0.1044A



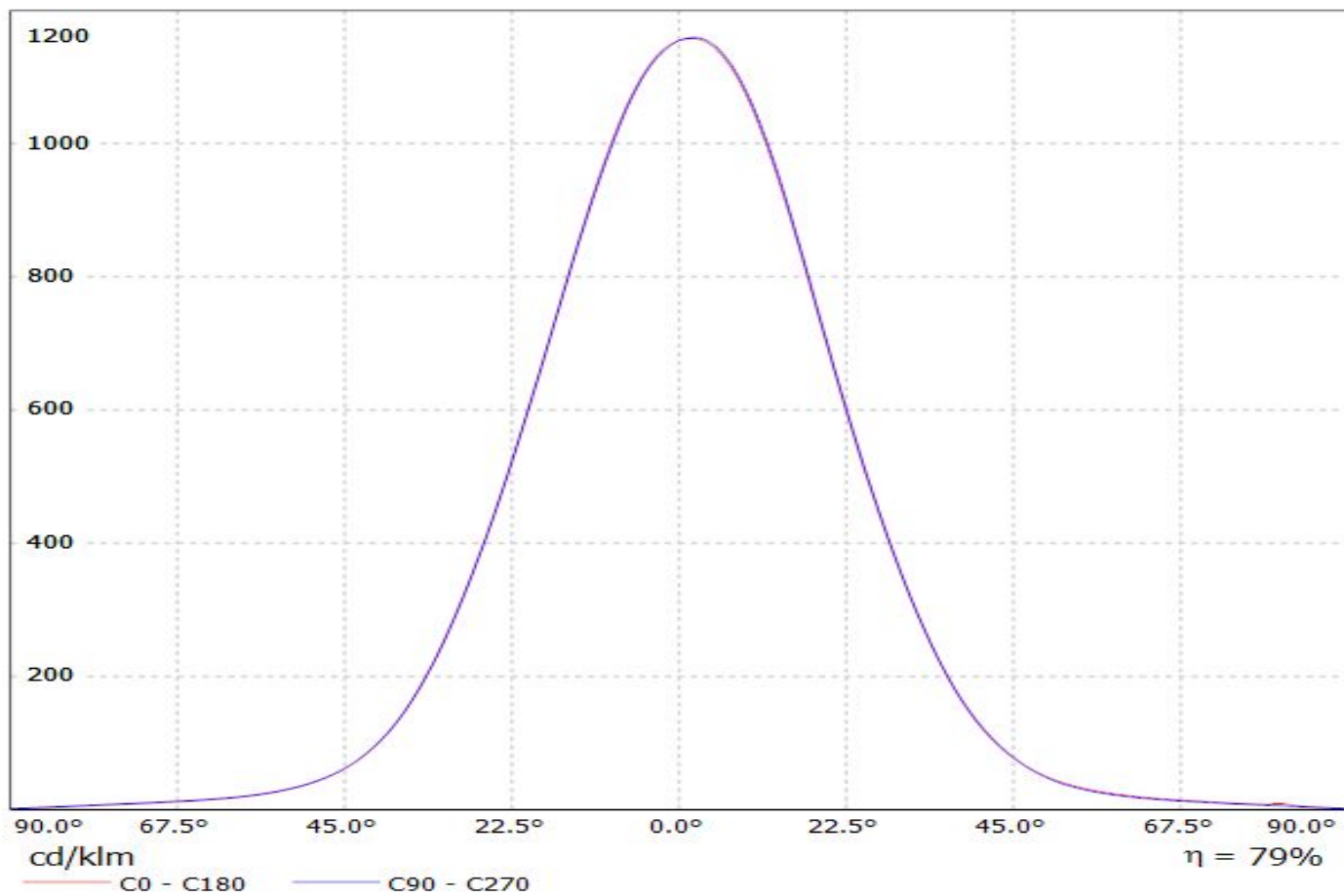
Luminaire: Ledil Oy CN13907_MIRELLA-50-W-PF-RZL_(XM-L_RGB) Efficiency=80%
Lamps: 1 x Cree XM-L RGB (206lm @ 250mA) CCT= P=2.8W I=250mA



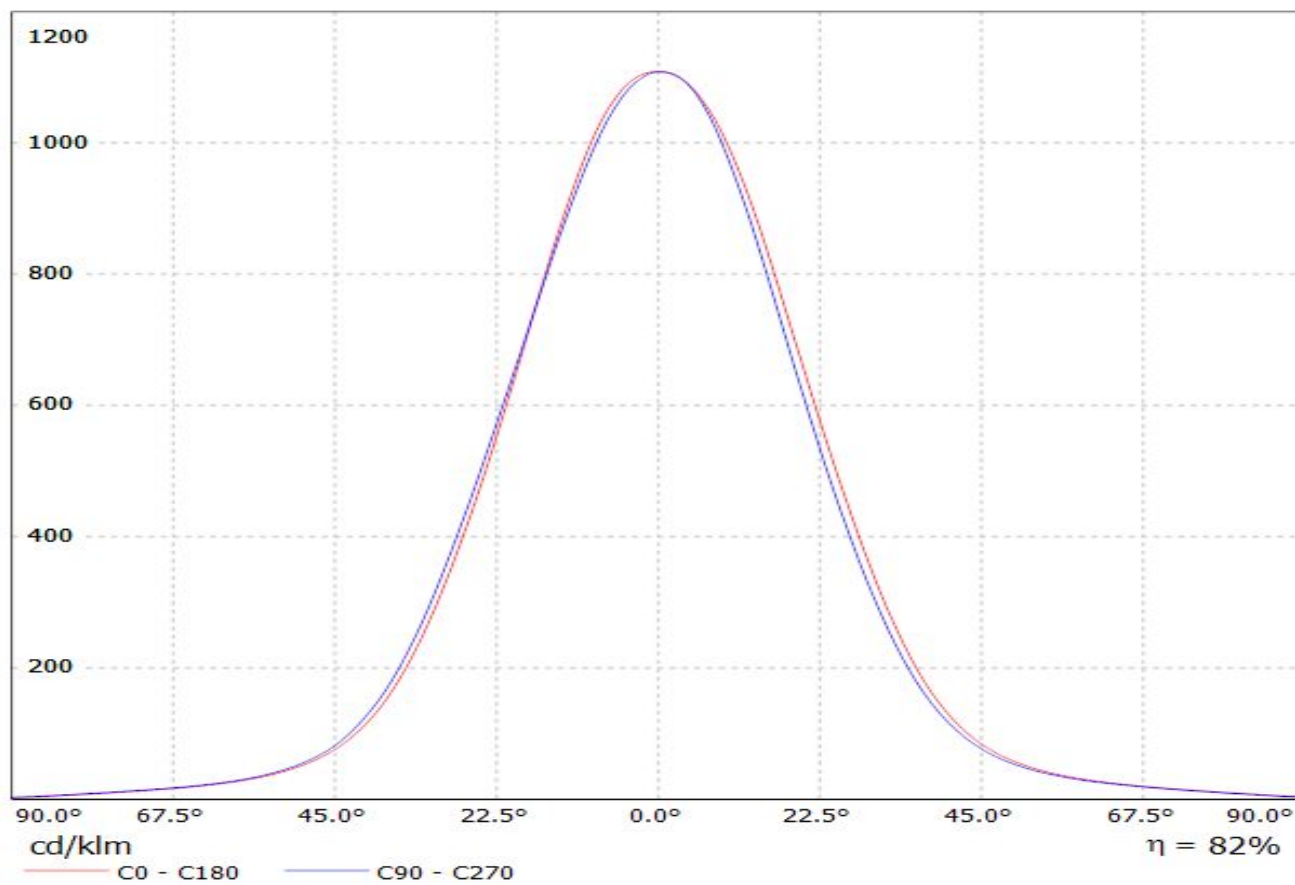
Luminaire: LEDiL Oy CN13907_MIRELLA-50-W-PF-RZL_(CREE_XHP50_WARM_WHITE)
Lamps: 1 x CREE_XHP50_WARM_WHITE_195.088lm@250mA_P=1.40004W_I=0.2499A



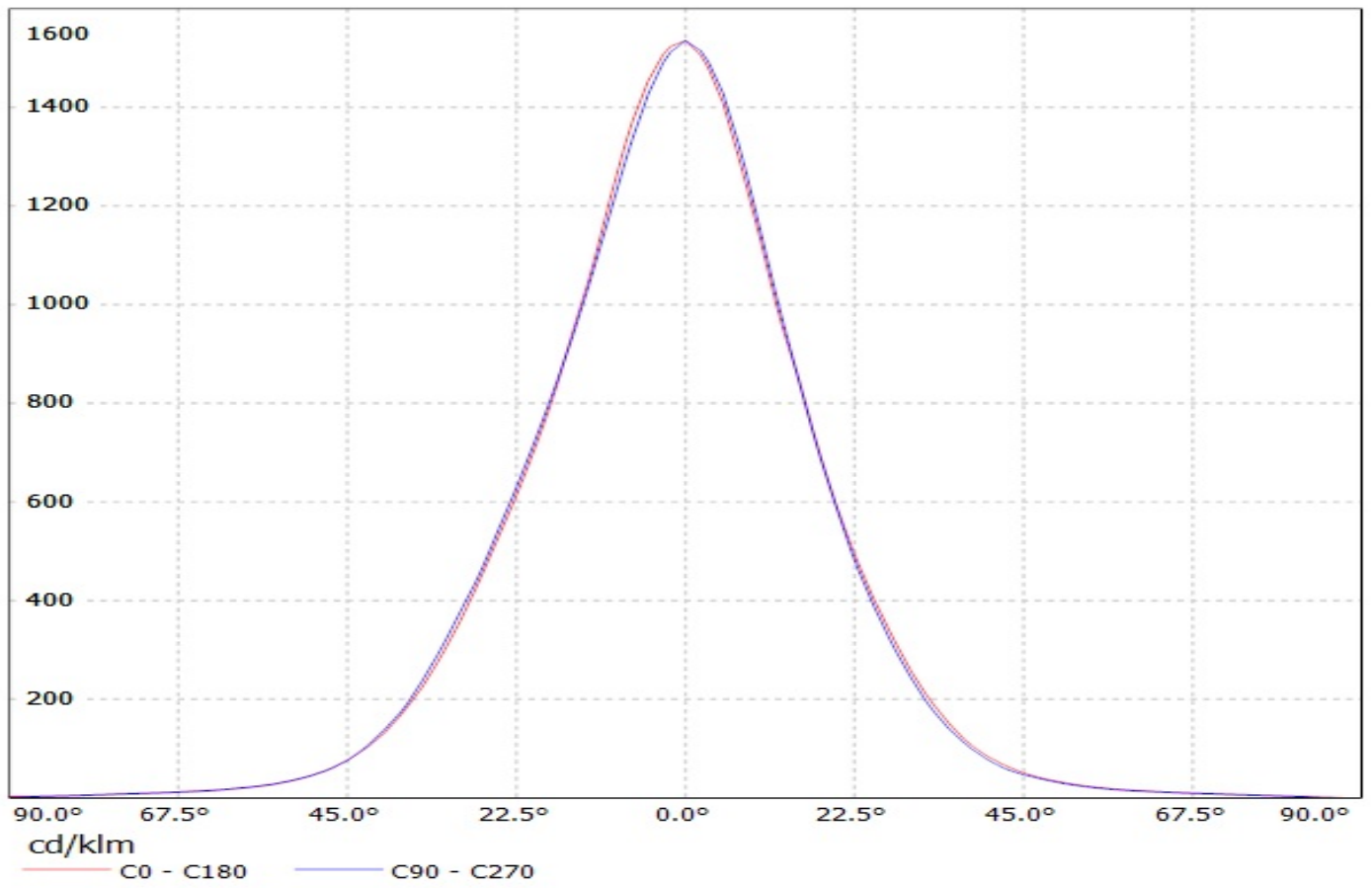
Luminaire: LEDiL Oy CN13907_MIRELLA-50-W-PF-RZL_(CREE_XHP70)
Lamps: 1 x CREE_XHP70_260.212lm@250mA_P=1.383W_I=0.2499A



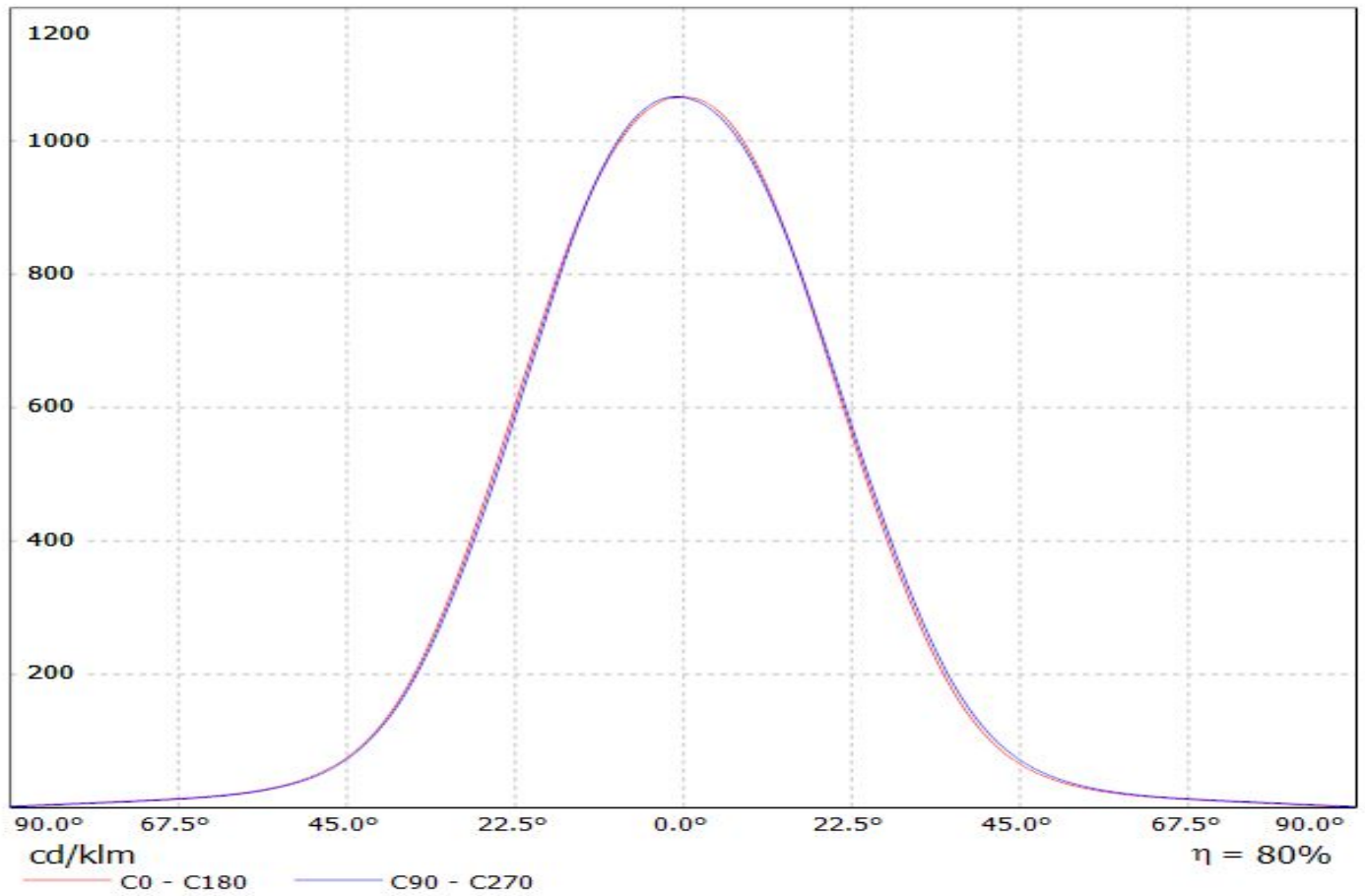
Luminaire: Ledil CN13907_MIRELLA-50-W-PF-RZL_(MHD-G)
Lamps: 1 x Cree MHD-G_530.44lm@100mA_P=3.0W_I=0.100A



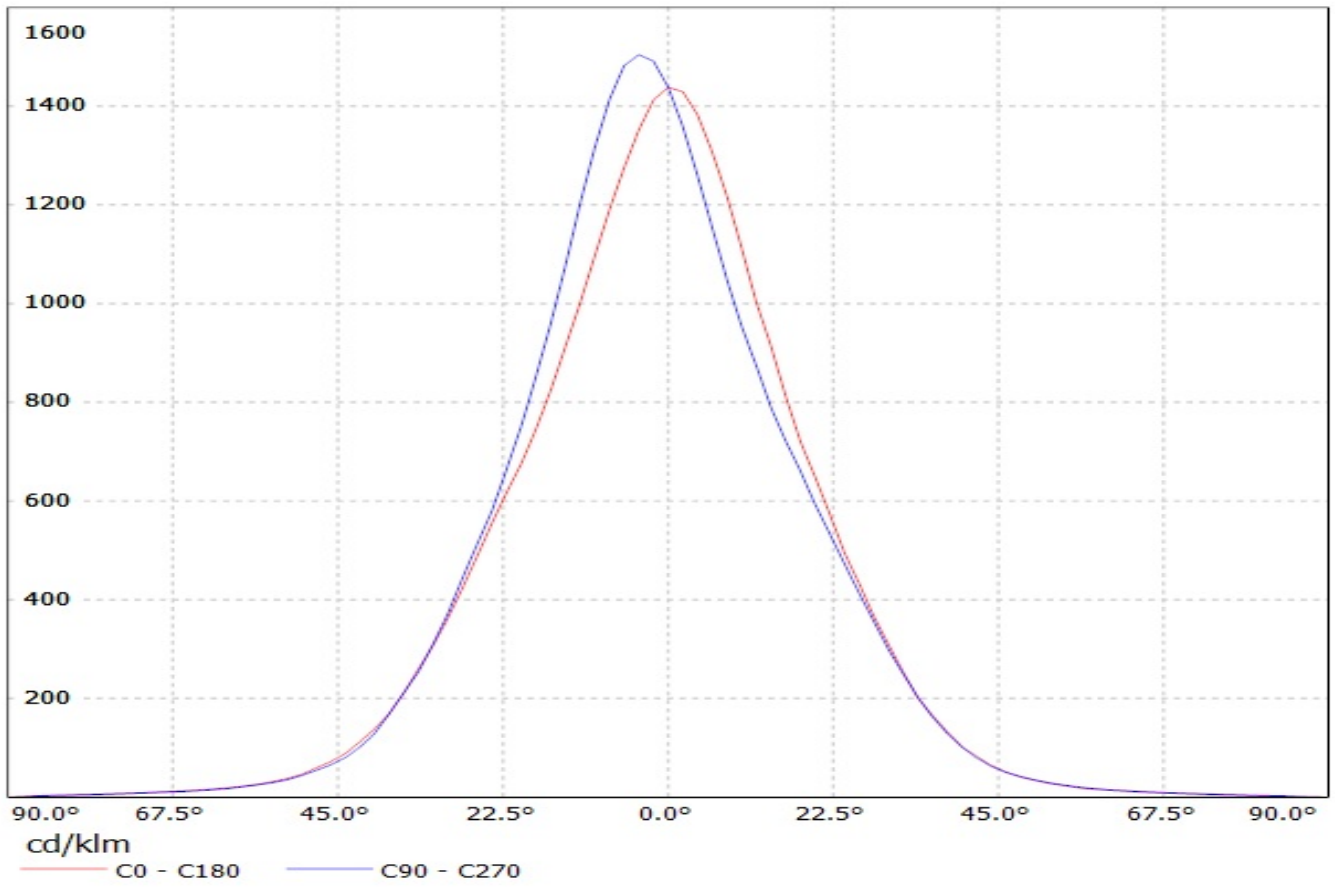
Luminaire: LEDil Oy CN13907_MIRELLA-50-W-PF-RZL_(Luxeon_Z_RGB) Efficiency=79%
Lamps: 1 x Philips Lumileds Luzeon RGB (164lm @ 250mA) P=2.6W I=250mA



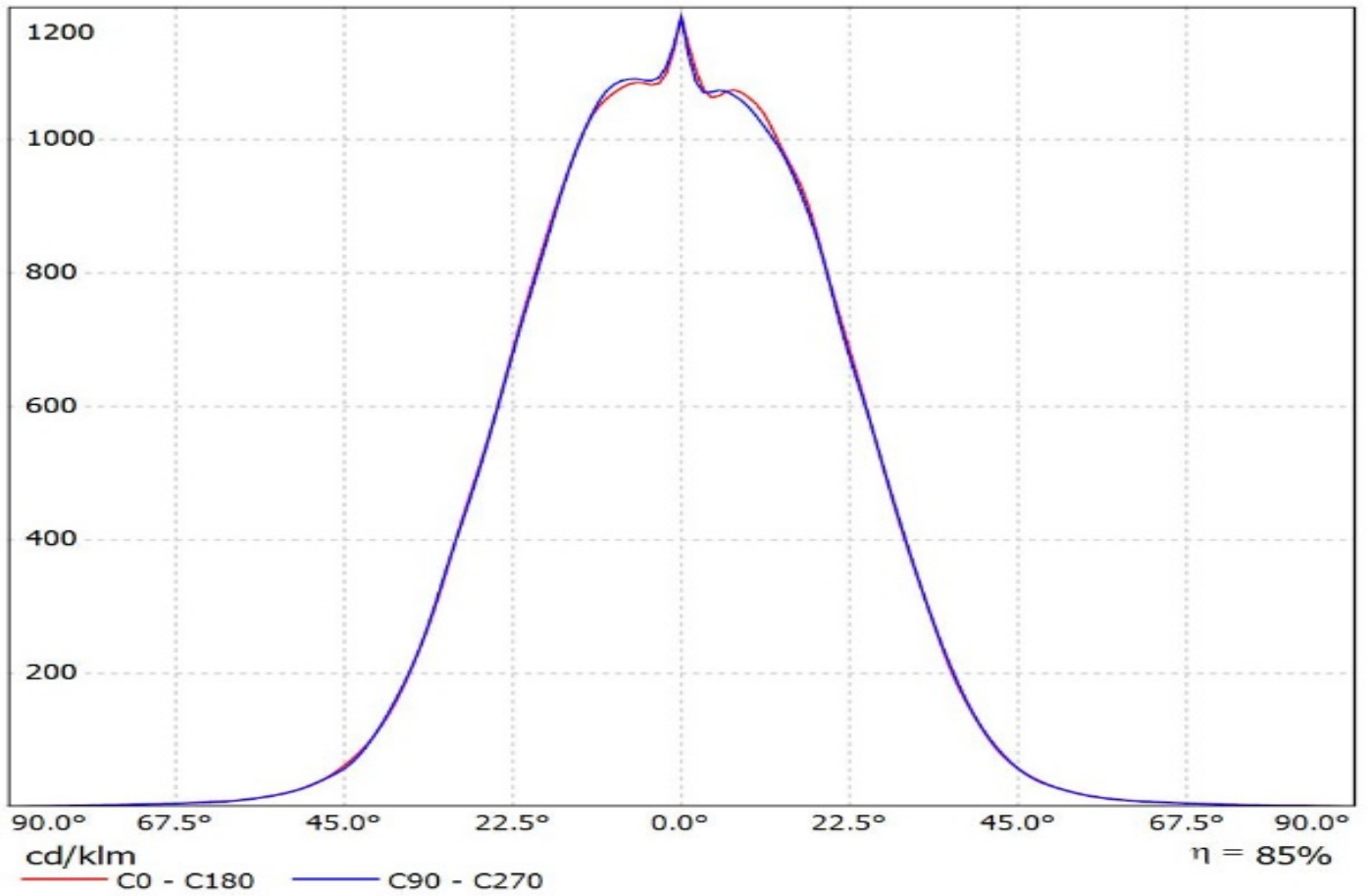
Luminaire: LEDiL Oy CN13907_MIRELLA-50-W-PF-RZL_(CXM-9)
Lamps: 1 x Luminus_XNOVA_CXM-9_962.046lm@240mA_P=8.29334W_I=240mA



Luminaire: Ledil Oy CN13907_MIRELLA-50-W-PF-RZL_(Ostar-SMT_RGB) Efficiency=81%
Lamps: 1 x Osram Ostar-SMT RGB (164lm @ 250mA) CCT= P=3.0W I=250mA

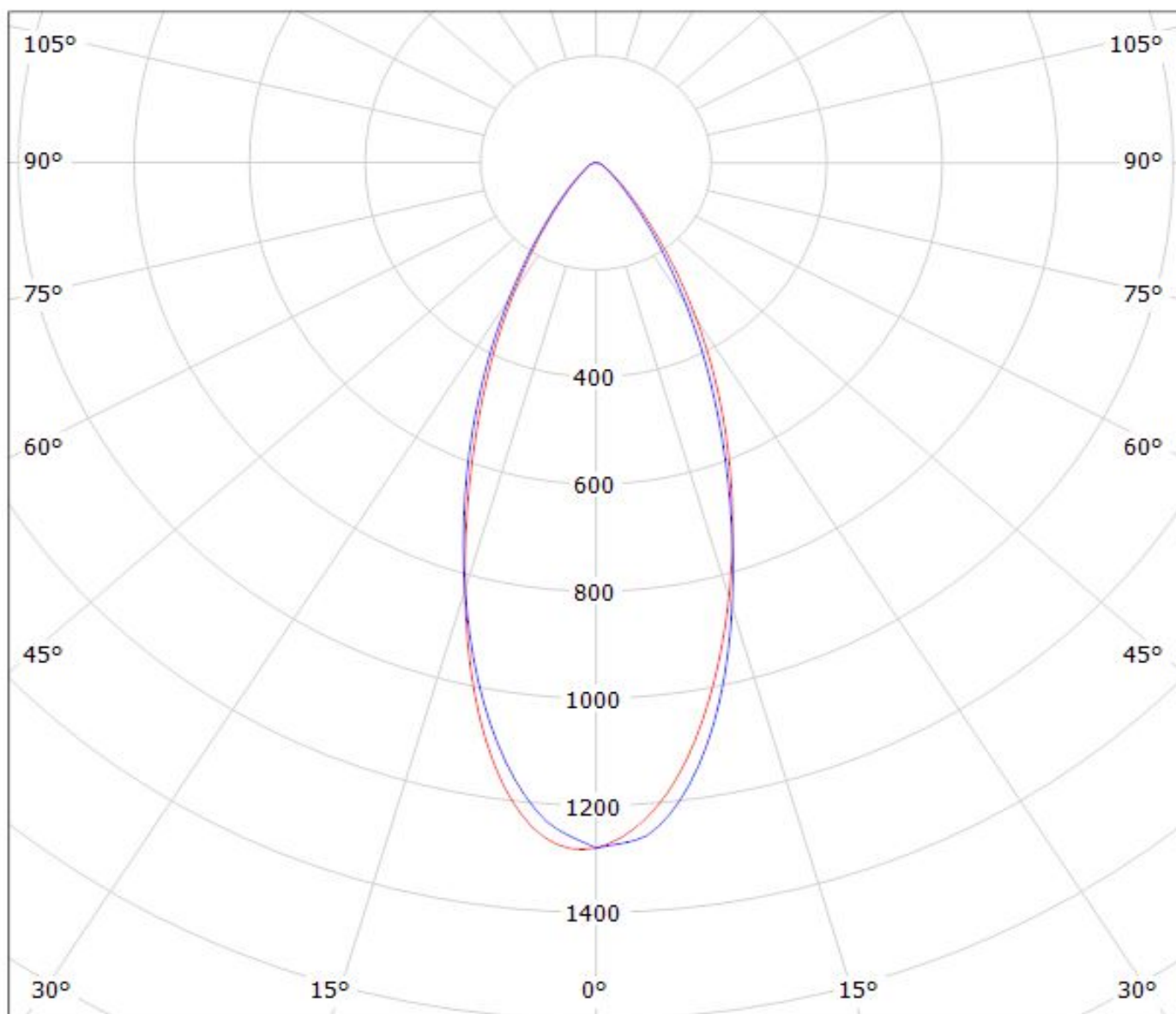


Luminaire: Ledil Oy CN13907_MIRELLA-50-W-PF-RZL_(Soleriq_S9)_SIMULATED
Lamps: 1 x Osram Soleriq S9 (GW KAFJB3.EM)



Luminaire: LEDiL Oy CN13907_MIRELLA-50-W-PF-RZL_(CLU700)

Lamps: 1 x Citizen_CLU700_(C13083_PF-SOCKET)_384.09lm@100mA_P=2.90608W_I=0.1044A



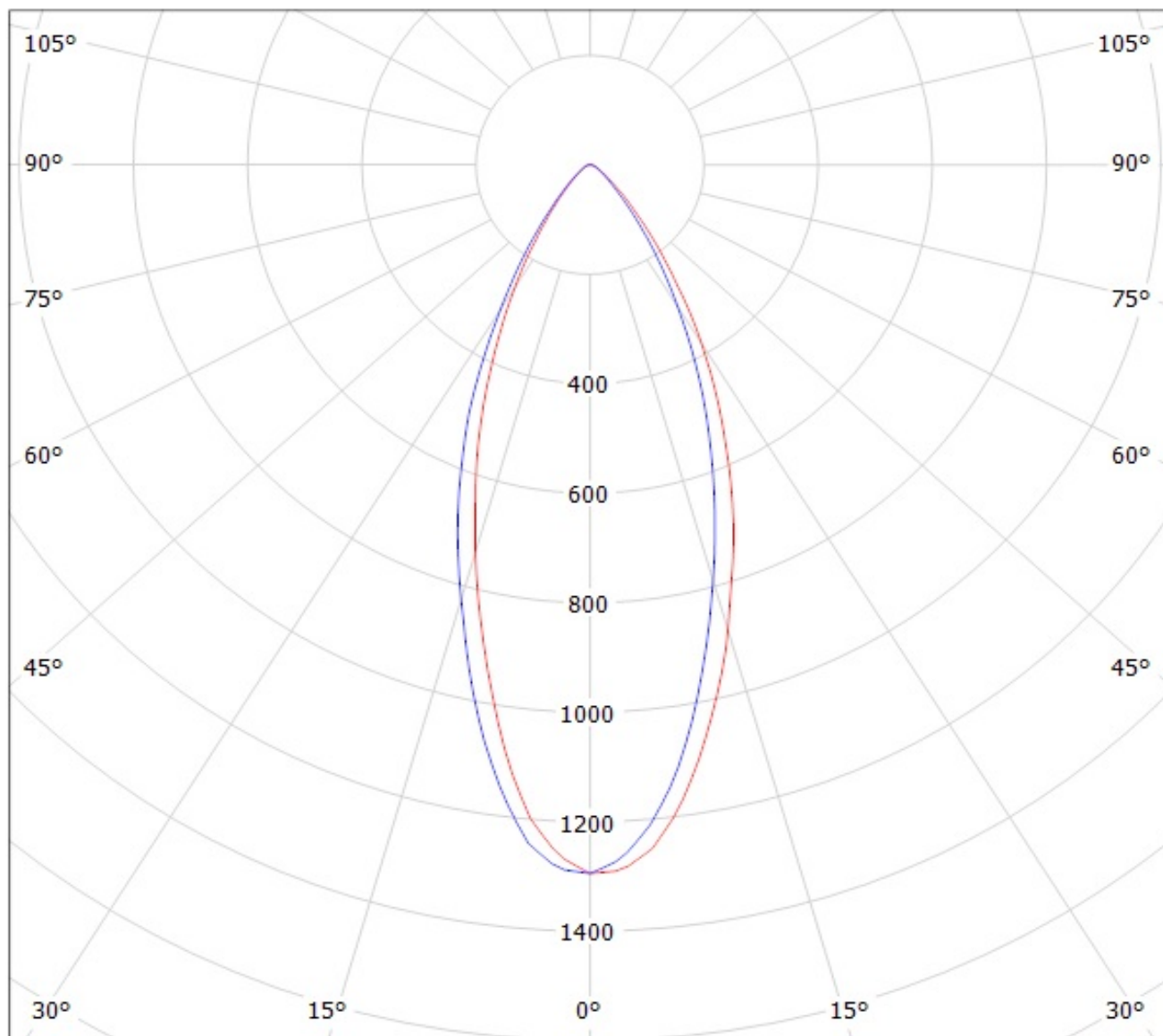
cd/klm

— C0 - C180

— C90 - C270

$\eta = 81\%$

Luminaire: Ledil Oy CN13907_MIRELLA-50-W-PF-RZL_(XM-L_RGB) Efficiency=80%
Lamps: 1 x Cree XM-L RGB (206lm @ 250mA) CCT= P=2.8W I=250mA

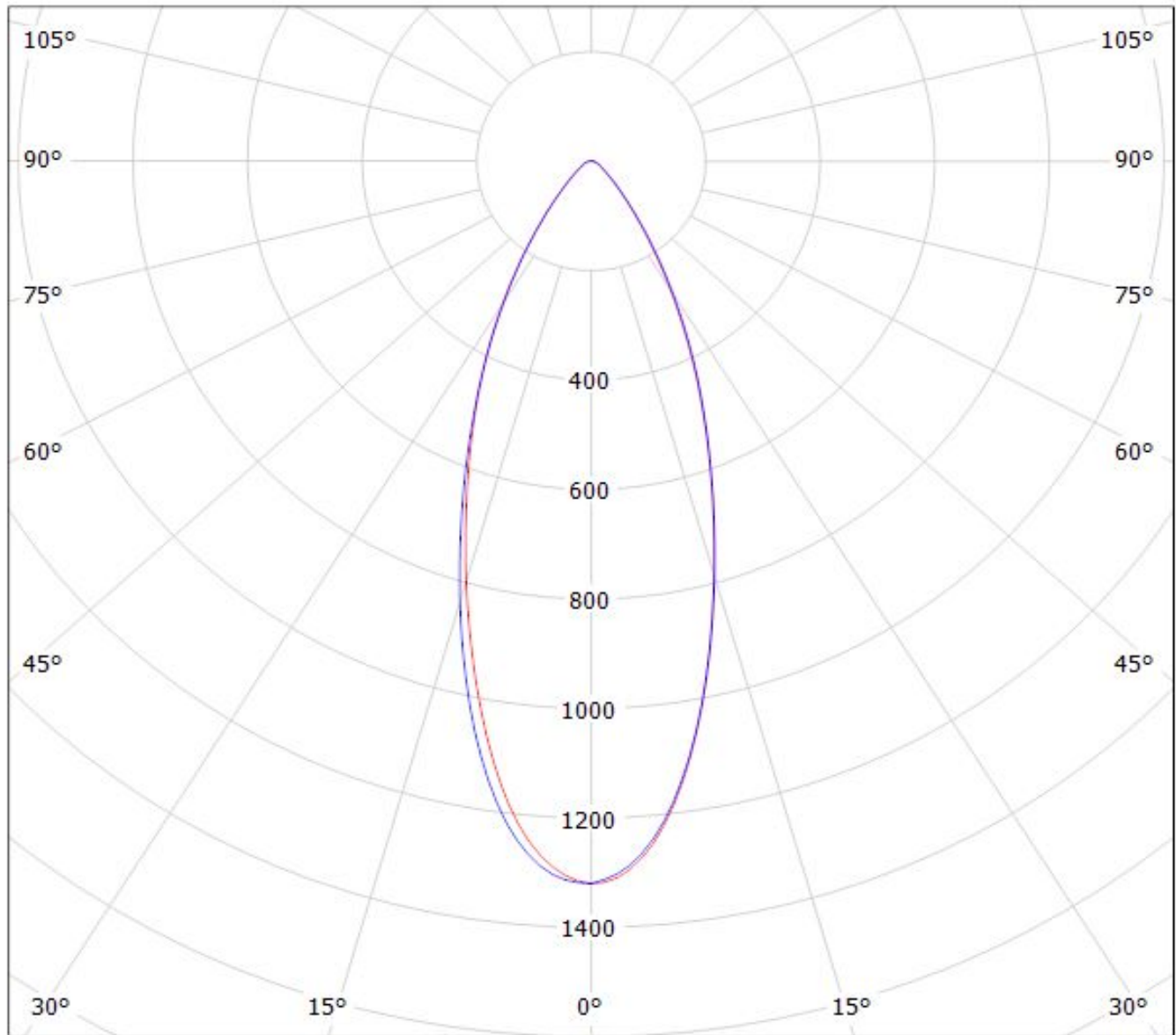


cd/klm

— C0 - C180

— C90 - C270

Luminaire: LEDiL Oy CN13907_MIRELLA-50-W-PF-RZL_(CREE_XHP50_WARM_WHITE)
Lamps: 1 x CREE_XHP50_WARM_WHITE_195.088lm@250mA_P=1.40004W_I=0.2499A



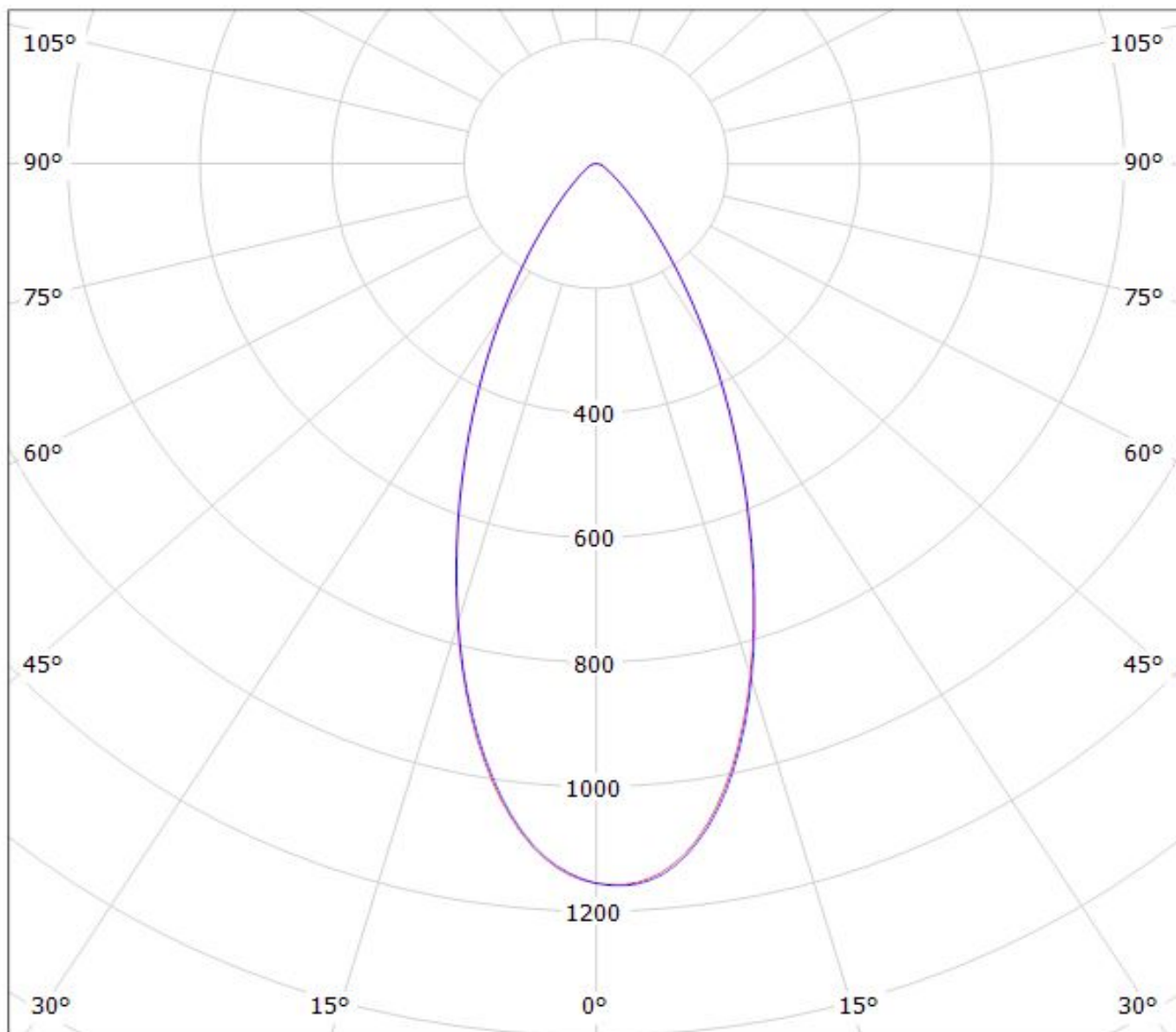
cd/klm

— C0 - C180

— C90 - C270

$\eta = 78\%$

Luminaire: LEDiL Oy CN13907_MIRELLA-50-W-PF-RZL_(CREE_XHP70)
Lamps: 1 x CREE_XHP70_260.212lm@250mA_P=1.383W_I=0.2499A



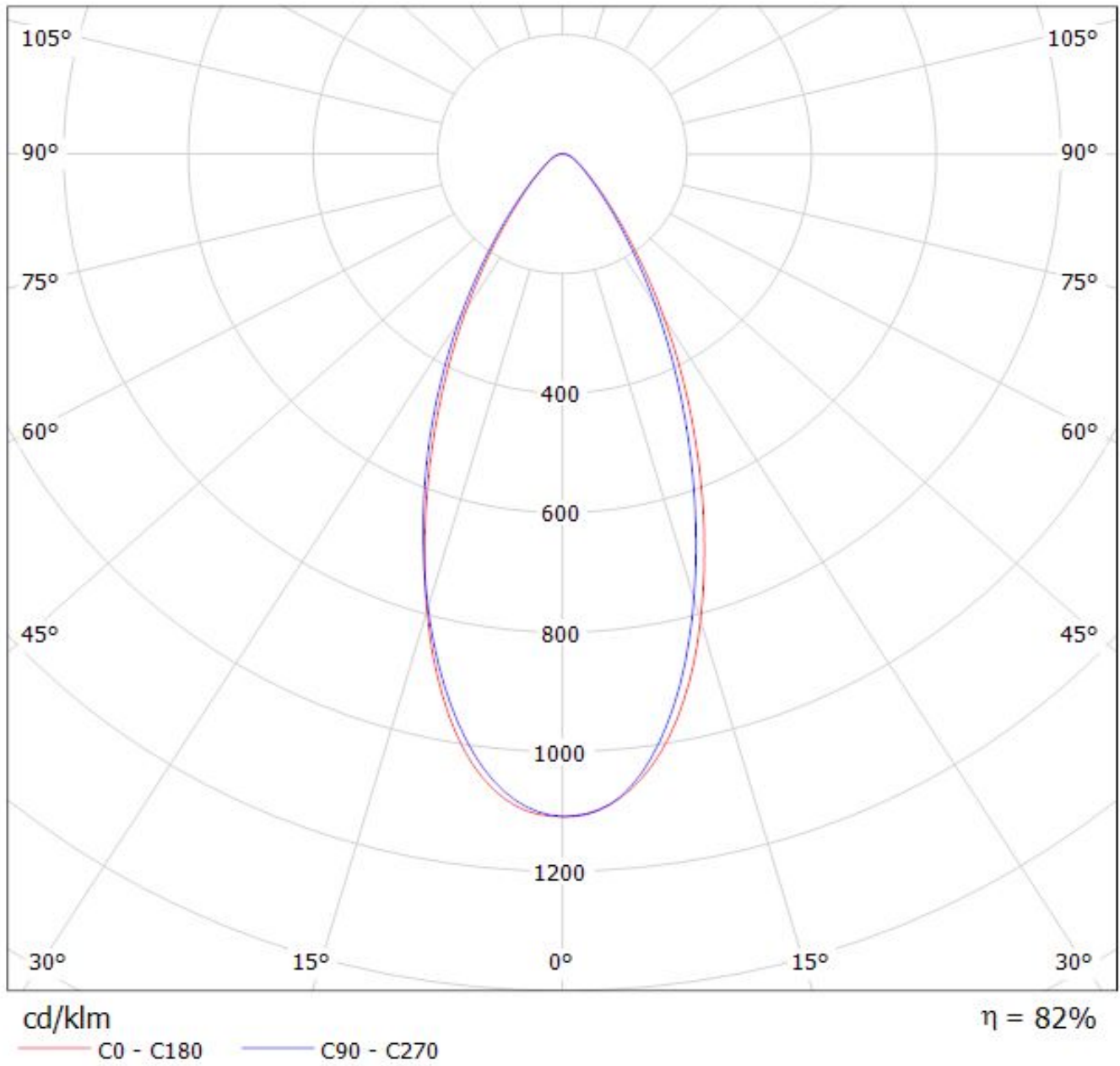
cd/klm

— C0 - C180

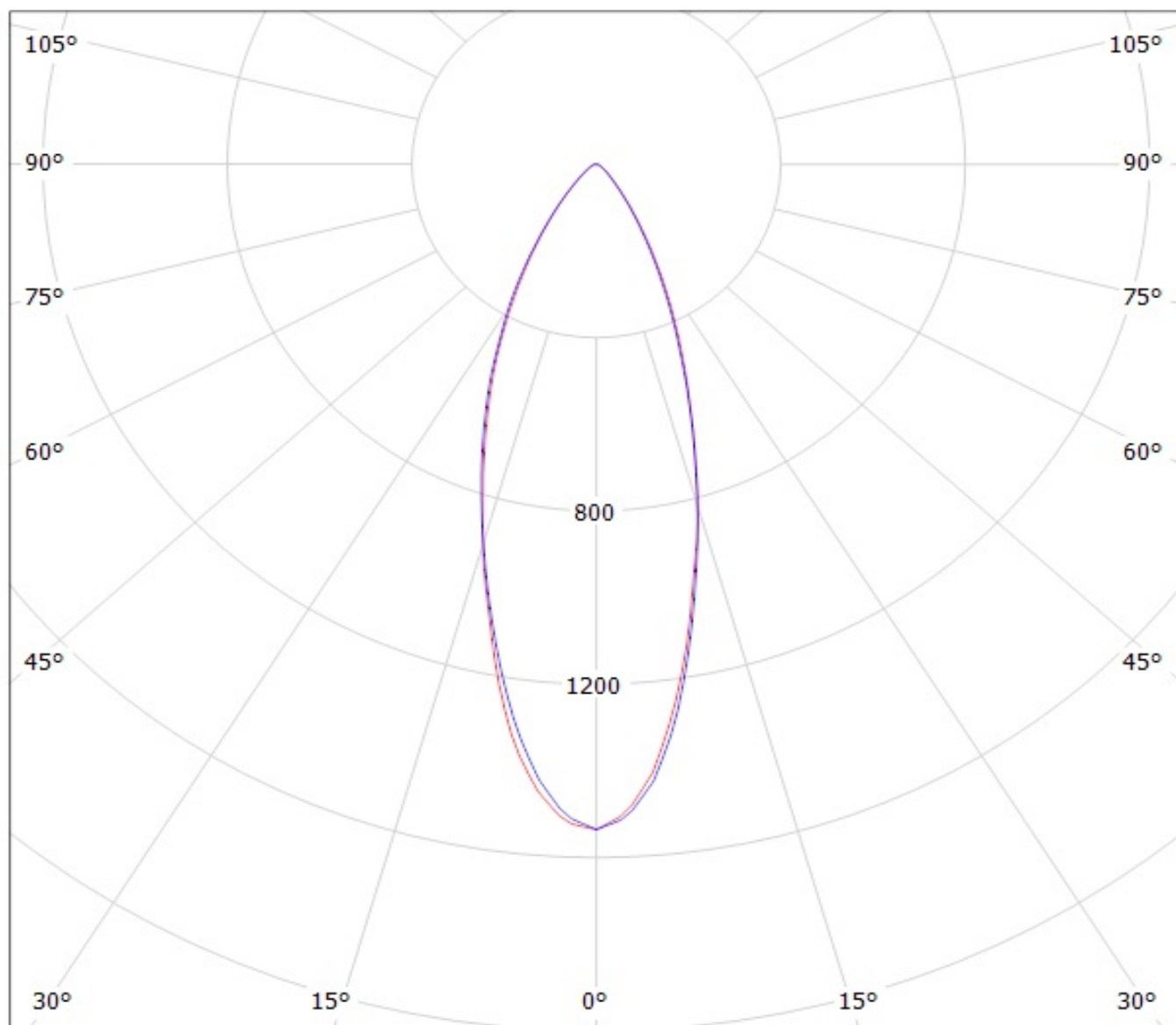
— C90 - C270

$\eta = 79\%$

Luminaire: Ledil CN13907_MIRELLA-50-W-PF-RZL_(MHD-G)
Lamps: 1 x Cree MHD-G_530.44lm@100mA_P=3.0W_I=0.100A



Luminaire: LEDil Oy CN13907_MIRELLA-50-W-PF-RZL_(Luxeon_Z_RGB) Efficiency=79%
Lamps: 1 x Philips Lumileds Luzeon RGB (164lm @ 250mA) P=2.6W I=250mA



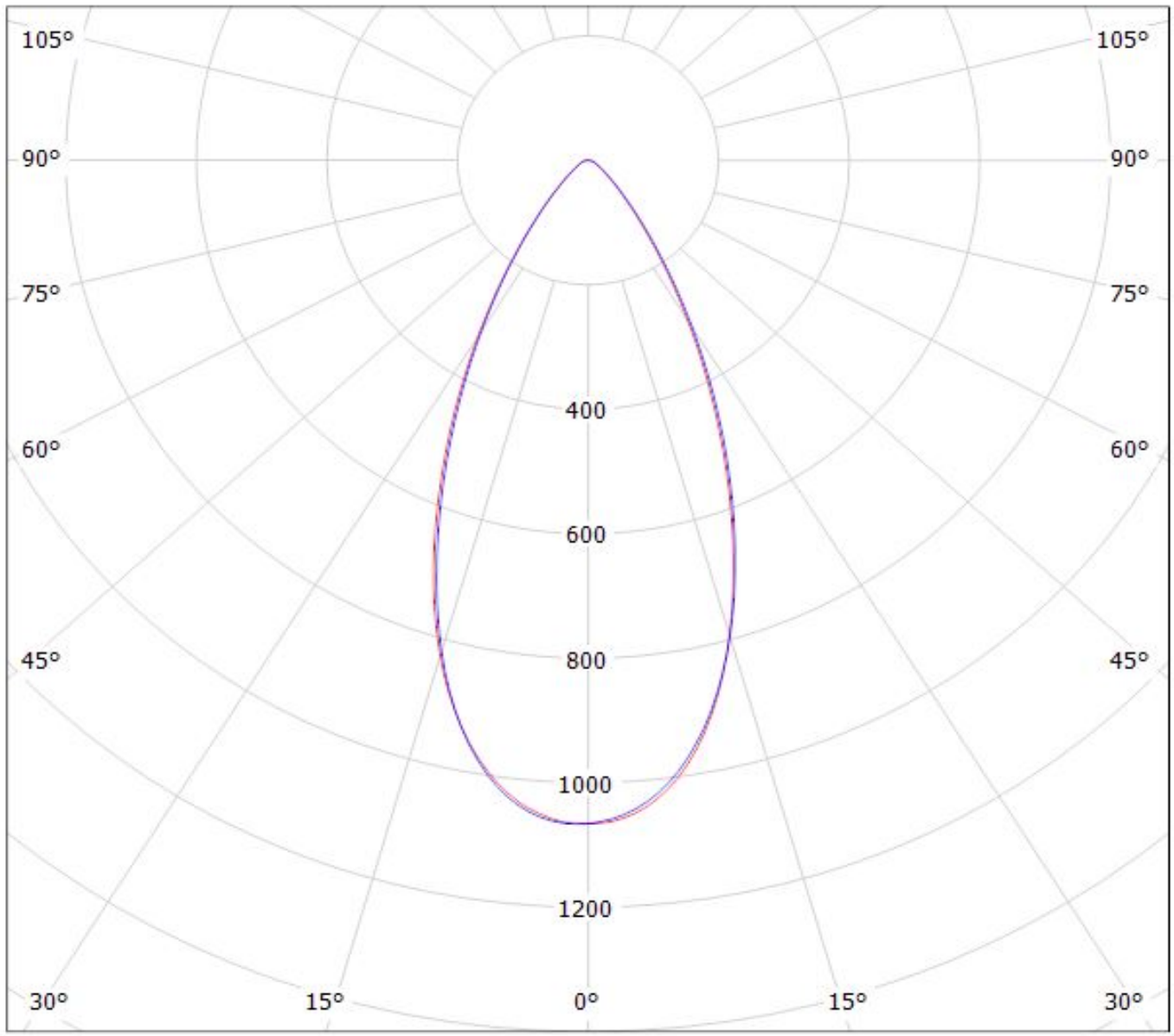
cd/klm

— C0 - C180

— C90 - C270

Luminaire: LEDiL Oy CN13907_MIRELLA-50-W-PF-RZL_(CXM-9)

Lamps: 1 x Luminus_XNOVA_CXM-9_962.046lm@240mA_P=8.29334W_I=240mA

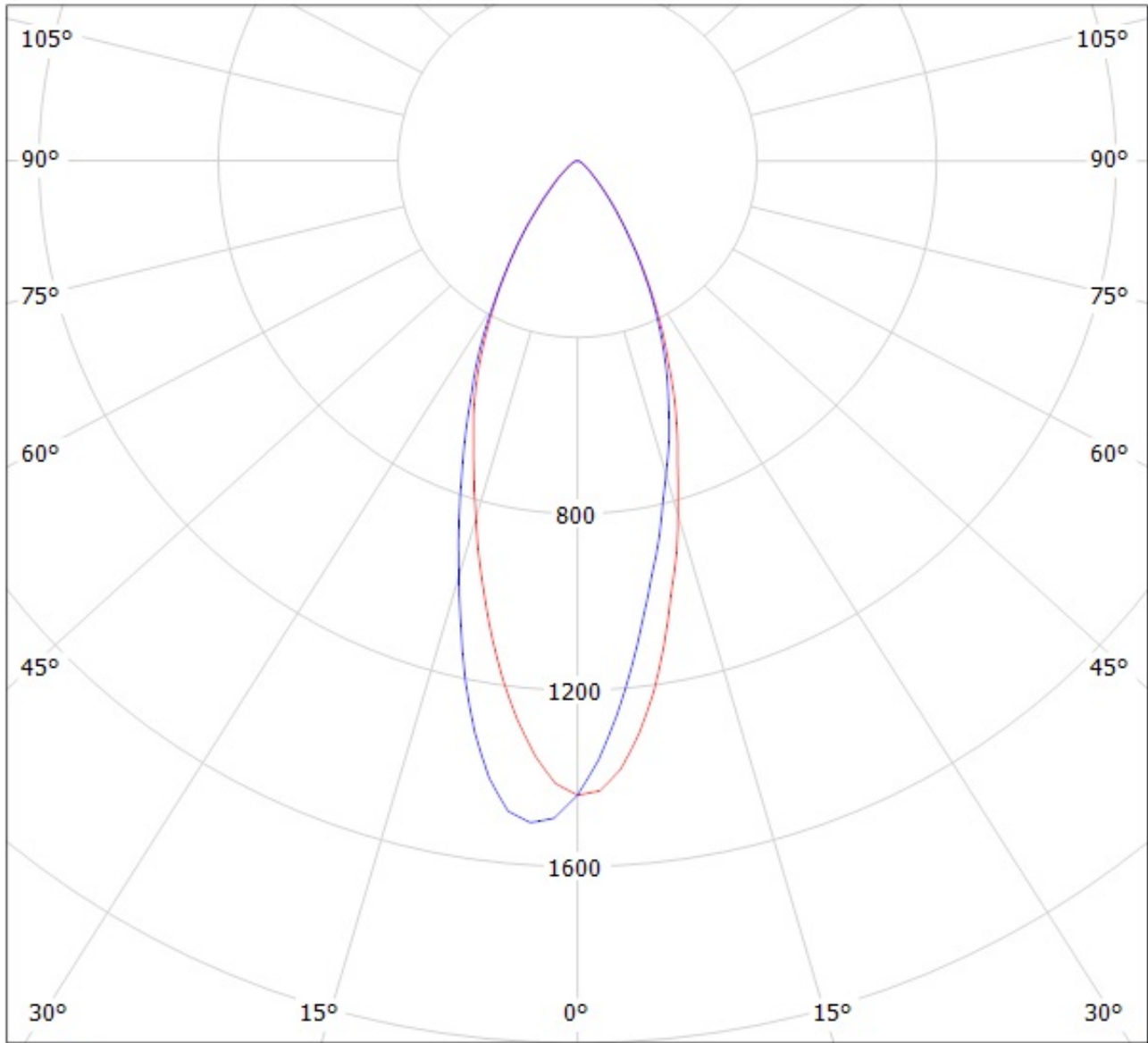


cd/klm

— C0 - C180 — C90 - C270

$\eta = 80\%$

Luminaire: Ledil Oy CN13907_MIRELLA-50-W-PF-RZL_(Ostar-SMT_RGB) Efficiency=81%
Lamps: 1 x Osram Ostar-SMT RGB (164lm @ 250mA) CCT= P=3.0W I=250mA

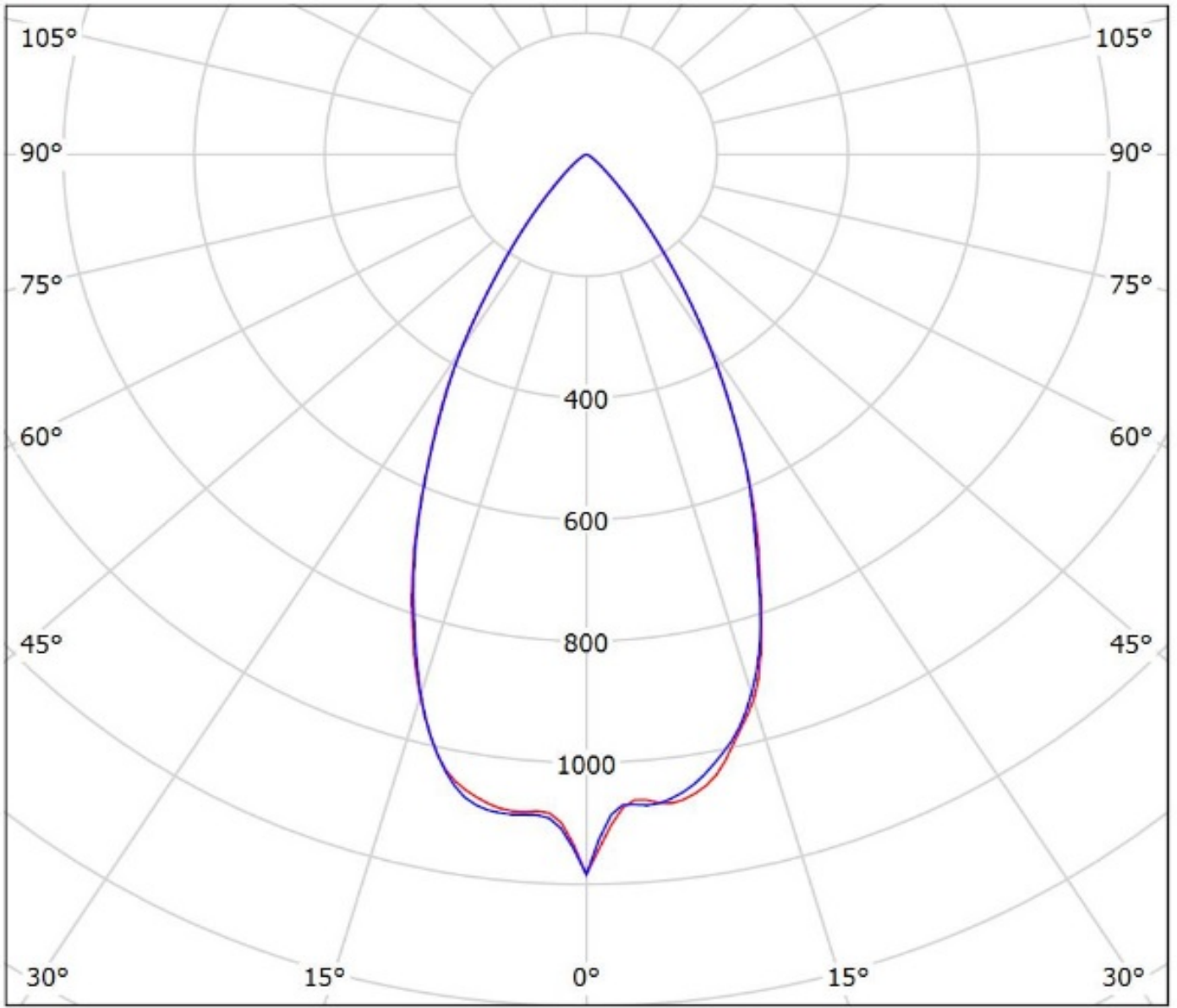


cd/klm

— C0 - C180

— C90 - C270

Luminaire: Ledil Oy CN13907_MIRELLA-50-W-PF-RZL_(Soleriq_S9)_SIMULATED
Lamps: 1 x Osram Soleriq S9 (GW KAFJB3.EM)



cd/klm

— C0 - C180 — C90 - C270

$\eta = 85\%$

NOTE: The typical divergence will be changed by different color, chip size and chip position tolerance. The typical total divergence is the full angle measured where the luminous intensity is half of the peak value.

GENERAL INFORMATION

- Product series especially designed & optimized for series of LEDs.
- Special care taken to make light distribution as uniform as possible.

Note! Due to use of high power COB's with this product, special attention to proper thermal design is highly recommended. LEDiL has no liability for direct, indirect or consecutive damages arising from the LEDiL products being used outside of the recommended temperature range.