

Chipsmall Limited consists of a professional team with an average of over 10 year of expertise in the distribution of electronic components. Based in Hongkong, we have already established firm and mutual-benefit business relationships with customers from,Europe,America and south Asia,supplying obsolete and hard-to-find components to meet their specific needs.

With the principle of “Quality Parts,Customers Priority,Honest Operation,and Considerate Service”,our business mainly focus on the distribution of electronic components. Line cards we deal with include Microchip,ALPS,ROHM,Xilinx,Pulse,ON,Everlight and Freescale. Main products comprise IC,Modules,Potentiometer,IC Socket,Relay,Connector.Our parts cover such applications as commercial,industrial, and automotives areas.

We are looking forward to setting up business relationship with you and hope to provide you with the best service and solution. Let us make a better world for our industry!



## Contact us

Tel: +86-755-8981 8866 Fax: +86-755-8427 6832

Email & Skype: info@chipsmall.com Web: www.chipsmall.com

Address: A1208, Overseas Decoration Building, #122 Zhenhua RD., Futian, Shenzhen, China

## 30-200W, 60 to 160VDC Input DC-DC Converters

### Features

- ◆ 60 - 160VDC Input
- ◆ IEC 61373 Shock and Vibration
- ◆ Base plate Cooled
- ◆ Full Power at 100°C base plate
- ◆ Parallel Operation (200W Only)
- ◆ Small Size
- ◆ Quarter / Half Brick Footprint
- ◆ Full Power from -40 to +100°C
- ◆ Parallel Function (CN200)



### Key Market Segments & Applications



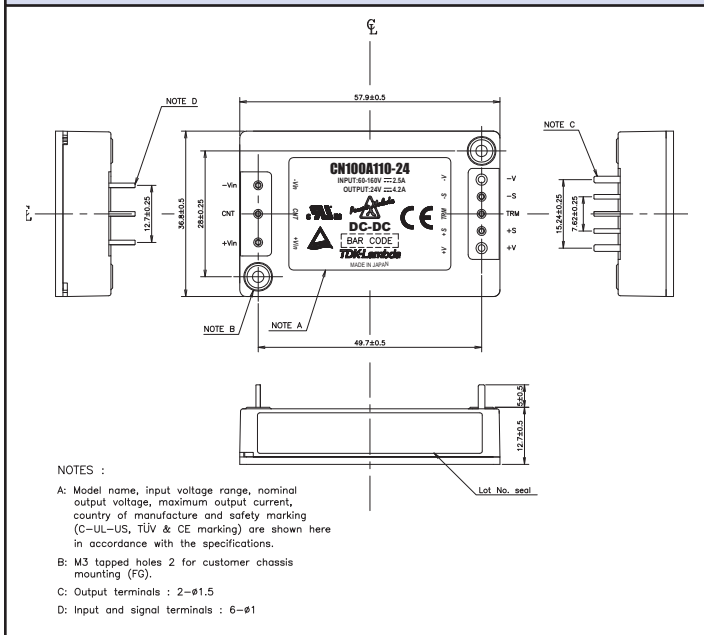
| Specifications               |      |  |             |             |             |
|------------------------------|------|--|-------------|-------------|-------------|
| Model                        |      |  |             |             |             |
| Nominal Output Voltage       | VDC  | 5V   | 12V         | 15V         | 24V         |
| Input Voltage Range          | VDC  | 60 - 160VDC  |             |             |             |
| Input Current                | A    | 0.34 - 2.16A (model dependant)   |             |             |             |
| Output Voltage Adjustment    | VDC  | 4.5 - 6  | 10.8 - 13.2 | 13.5 - 16.5 | 21.6 - 26.4 |
| Ripple & Noise (max) pk-pk   | mV   | 100  | 150         | 150         | 240         |
| Line Regulation (max)        | mV   | 20   | 48          | 60          | 96          |
| Load Regulation (max)        | mV   | 40   | 96          | 120         | 192         |
| Overcurrent Protection       | %    | 105 - 140%   |             |             |             |
| Overvoltage Protection       | %    | 125 - 145% (Cycle input or remote on/off to reset)   |             |             |             |
| Remote Sense                 | -    | Yes  |             |             |             |
| Remote On/Off                | -    | Yes; Low = ON, Open = OFF  |             |             |             |
| Parallel Operation           | -    | CN200A 12V, 15V & 24V only   |             |             |             |
| Operating Temperature        | °C   | -40°C to +100°C Baseplate  |             |             |             |
| Storage Temperature          | °C   | -40°C to +100°C  |             |             |             |
| Temperature Coefficient      | %/°C | 0.02%/°C   |             |             |             |
| Humidity (non condensing)    | %RH  | 5 - 95% RH Operating and Non Operating   |             |             |             |
| Cooling                      | -    | Conduction (See Installation Manual for heatsink selection)  |             |             |             |
| Withstand Voltage            | VAC  | Input to Baseplate: 1.5kVAC; Input to Output 3.0kVAC for 1 min.;<br>Output to Baseplate: 500VAC for 1 min  |             |             |             |
| Isolation Resistance         | -    | >100M at 25°C and 70%RH, Output to Base plate 500VDC   |             |             |             |
| Vibration                    | -    | Non Operating, 10-55Hz (sweep for 1 min.) Amplitude 0.825mm constant (Max 49 m/s <sup>2</sup> ) X,Y,Z 1 hour each IEC61373 - Category 1, Grade B |             |             |             |
| Shock                        | -    | 196.1m/s <sup>2</sup> , IEC61373 - Category 1, Grade B   |             |             |             |
| Safety Agency Certifications | -    | UL60950-1, CSA60950-1, EN60950-1, CE LVD   |             |             |             |
| Weight (Typ)                 | g    | CN30A-100A: 70g, CN200A 150g   |             |             |             |
| Size (WxHxD)                 | in   | CN30A-100A: 1.45 x 0.5 x 2.28", CN200A: 2.4 x 0.5 x 2.28"  |             |             |             |
| Warranty                     | yrs  | 5 Years  |             |             |             |

Note: See Installation Manual for full details, test methods of parameters and application notes

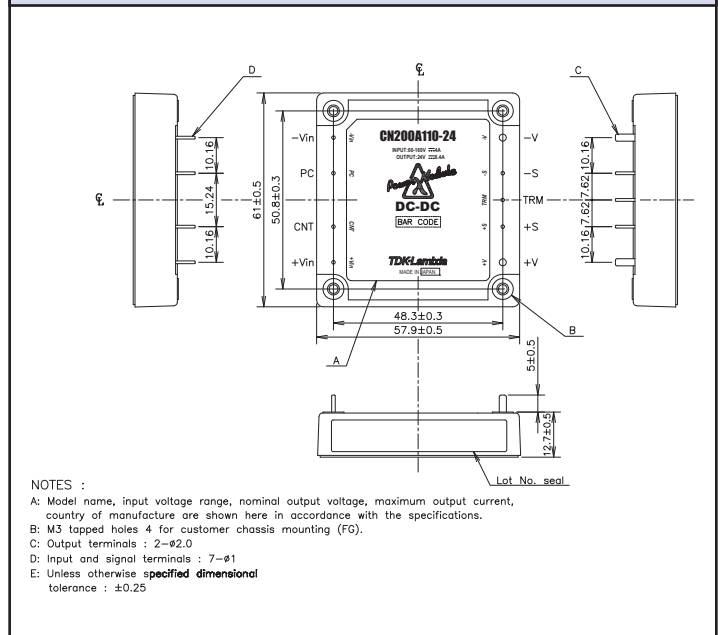
## Model Selector

| Model        | Voltage (V) | Output Current (A) | Maximum Power (W) | Input Current (A) | Efficiency (%) (100% load, 110VDC In) |
|--------------|-------------|--------------------|-------------------|-------------------|---------------------------------------|
| CN30A110-5   | 5           | 6                  | 30                | 0.34              | 83                                    |
| CN50A110-5   | 5           | 10                 | 50                | 0.55              | 84                                    |
| CN100A110-5  | 5           | 20                 | 100               | 1.08              | 85                                    |
| CN200A110-5  | 5           | 40                 | 200               | 2.16              | 85                                    |
| CN30A110-12  | 12          | 2.5                | 30                | 0.34              | 84                                    |
| CN50A110-12  | 12          | 4.2                | 50.4              | 0.55              | 86                                    |
| CN100A110-12 | 12          | 8.4                | 100.8             | 1.05              | 88                                    |
| CN200A110-12 | 12          | 16.7               | 200.4             | 2.09              | 88                                    |
| CN30A110-15  | 15          | 2                  | 30                | 0.34              | 84                                    |
| CN50A110-15  | 15          | 3.4                | 51                | 0.55              | 86                                    |
| CN100A110-15 | 15          | 6.7                | 100.5             | 1.05              | 88                                    |
| CN200A110-15 | 15          | 13.4               | 201               | 2.1               | 88                                    |
| CN30A110-24  | 24          | 1.3                | 31.2              | 0.34              | 84                                    |
| CN50A110-24  | 24          | 2.1                | 50.4              | 0.55              | 86                                    |
| CN100A110-24 | 24          | 4.2                | 100.8             | 1.05              | 88                                    |
| CN200A110-24 | 24          | 8.4                | 201.6             | 2.11              | 88                                    |

## Outline Drawing CN30A to CN100A



## Outline Drawing CN200A



## Option

| Suffix  | Description                                   |
|---------|---|
| /CO     | Pcb coating for EN50155 & IEC60571 compliance |
| Example | CN50A110-5/CO                                 |

For Additional Information, please visit [us.tdk-lambda.com/lp/products/cn-series.htm](http://us.tdk-lambda.com/lp/products/cn-series.htm)

