



Chipsmall Limited consists of a professional team with an average of over 10 year of expertise in the distribution of electronic components. Based in Hongkong, we have already established firm and mutual-benefit business relationships with customers from,Europe,America and south Asia,supplying obsolete and hard-to-find components to meet their specific needs.

With the principle of “Quality Parts,Customers Priority,Honest Operation,and Considerate Service”,our business mainly focus on the distribution of electronic components. Line cards we deal with include Microchip,ALPS,ROHM,Xilinx,Pulse,ON,Everlight and Freescale. Main products comprise IC,Modules,Potentiometer,IC Socket,Relay,Connector.Our parts cover such applications as commercial,industrial, and automotives areas.

We are looking forward to setting up business relationship with you and hope to provide you with the best service and solution. Let us make a better world for our industry!



Contact us

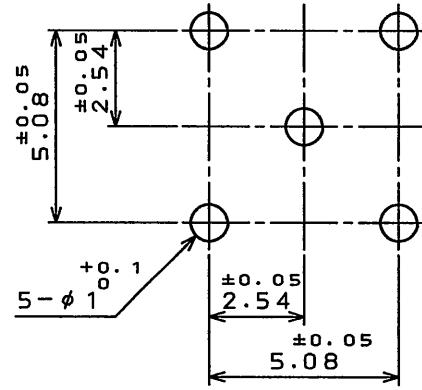
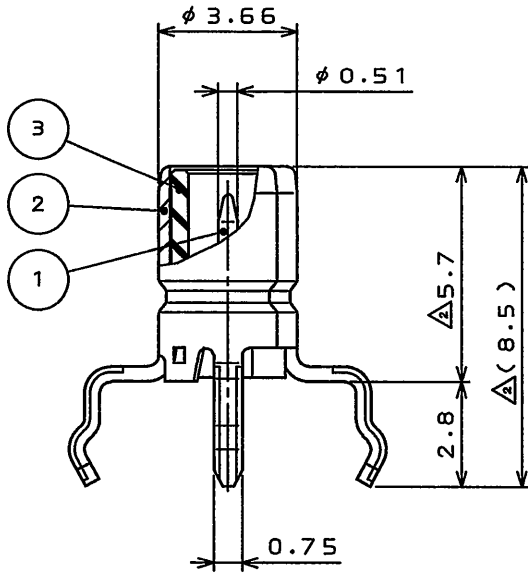
Tel: +86-755-8981 8866 Fax: +86-755-8427 6832

Email & Skype: info@chipsmall.com Web: www.chipsmall.com

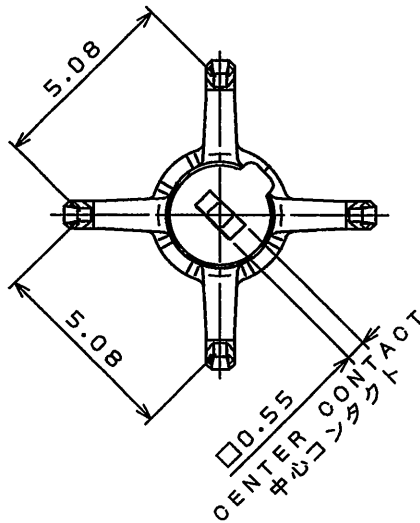
Address: A1208, Overseas Decoration Building, #122 Zhenhua RD., Futian, Shenzhen, China



版数 REV.	年月日 DATE	DCN NO.	変更内容 DESCRIPTION	製図 DR.	担当 CHK.	査閲 APPD.	承認 APPD.
2	14.Sep.2004	055819	REVISED FORM		K.FURUKATSU	—	Y.SUGII
3	14.Jan.2011	071420	REDRAWN (JAPANESE → BILINGUAL)		T.SHIINA	K.FURUKATSU	T.MIYASHITA



RECOMMENDED MOUNTING HOLE PATTERNS
取付穴参考寸法



DESIGNATION 命名法

CN50R01D00

CONNECTION No.00 : NO CONNECTION	結線タイプ : 結線ではない
CHARACTERISTIC IMPEDANCE : D=50Ω	特性インピーダンス : D=50Ω
DEVELOPMENT No.	開発番号
CONNECTOR TYPE:R = STRAIGHT RECEPTACLE	コネクタ形状:ストレートレセプタクル
SERIES : CN50	シリーズ名 : CN50同軸コネクタ

符号 NO.	名称 DESCRIPTION	個数 QTY.	材料 MATERIAL	仕上 FINISH	備考 REMARKS
3	INSULATOR	1	SYNTHETIC RESIN	—	—
2	OUTER CONTACT	1	COPPER ALLOY	NICKEL PLATING	NI : 1.5μm MIN.
1	CENTER CONTACT	1	BRASS	GOLD PLATING OVER NICKEL	NI : 1.5μm MIN. Au : 0.3μm MIN.

DOF-0-211F(05.08)

仕様書 (SPECIFICATION) JACS-20020		第1版 (ORIGINAL DATE) 6.Feb.2004		名称 (TITLE) CN50R01D00		日本航空電子工業株式会社 JAPAN AVIATION ELECTRONICS INDUSTRY, LTD.	
公差 (GENERAL TOLERANCE)		製図 DR.	担当 CHK.	T.MIYASHITA		図面番号 (DRAWING NO.) SJ100678	
寸法 (DIMENSION)		査閲 APPD.	承認 APPD.	Y.SUGII		シリーズ (SERIES) CN50	
角度 (ANGLES)				尺度 (SCALE) 5:1		版数 (REV.) 3	
· ±0.8	X° ±						
·X ±0.4	X°X' ±						
·XX ±0.1							
·XXX ±							