



Chipsmall Limited consists of a professional team with an average of over 10 year of expertise in the distribution of electronic components. Based in Hongkong, we have already established firm and mutual-benefit business relationships with customers from,Europe,America and south Asia,supplying obsolete and hard-to-find components to meet their specific needs.

With the principle of “Quality Parts,Customers Priority,Honest Operation,and Considerate Service”,our business mainly focus on the distribution of electronic components. Line cards we deal with include Microchip,ALPS,ROHM,Xilinx,Pulse,ON,Everlight and Freescale. Main products comprise IC,Modules,Potentiometer,IC Socket,Relay,Connector.Our parts cover such applications as commercial,industrial, and automotives areas.

We are looking forward to setting up business relationship with you and hope to provide you with the best service and solution. Let us make a better world for our industry!



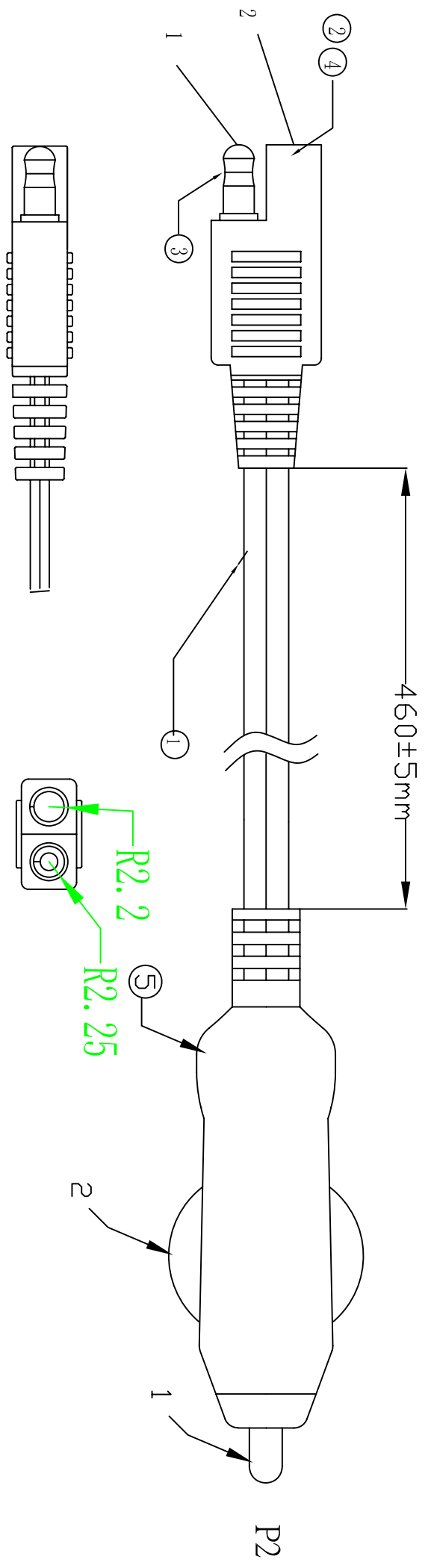
Contact us

Tel: +86-755-8981 8866 Fax: +86-755-8427 6832

Email & Skype: info@chipsmall.com Web: www.chipsmall.com

Address: A1208, Overseas Decoration Building, #122 Zhenhua RD., Futian, Shenzhen, China





PINOUT:
 1-----RED
 2-----BLACK

5	Connector	BLACK	Cig lighter Male	1	
4	PVC	BLACK	45P PVC RoHS	5.5	g
3	TER	NICKEL	4.5 MALE TER Rating DC15V 5A RoHS	1	PCS
2	TER	NICKEL	4.5 FEMALE TER Rating DC15V 5A RoHS	1	PCS
1	CABLE	BLACK	SPT-1 16AWG RoHS	520	MM
NO.	NAME	COLOR	DESCRIPTION	QTY	UNIT

A	INITIAL RELEASE	2014/07/24
REVCN#	DESCRIPTION	DATE
Cnc Tech, LLC		
DRAWN/	DATE	P/N:
WENC	07/24/14	CNC-SAE-16-046-003
CHECKED	CUSTOMER:	TITLE
EDWIN		Adapter CablesAE to M Cig 16AWG .46M
APPROVAL	CUSTOMER P/N:	REV
		A
SHEET 1 OF 1		