



Chipsmall Limited consists of a professional team with an average of over 10 year of expertise in the distribution of electronic components. Based in Hongkong, we have already established firm and mutual-benefit business relationships with customers from,Europe,America and south Asia,supplying obsolete and hard-to-find components to meet their specific needs.

With the principle of “Quality Parts,Customers Priority,Honest Operation,and Considerate Service”,our business mainly focus on the distribution of electronic components. Line cards we deal with include Microchip,ALPS,ROHM,Xilinx,Pulse,ON,Everlight and Freescale. Main products comprise IC,Modules,Potentiometer,IC Socket,Relay,Connector.Our parts cover such applications as commercial,industrial, and automotives areas.

We are looking forward to setting up business relationship with you and hope to provide you with the best service and solution. Let us make a better world for our industry!



Contact us

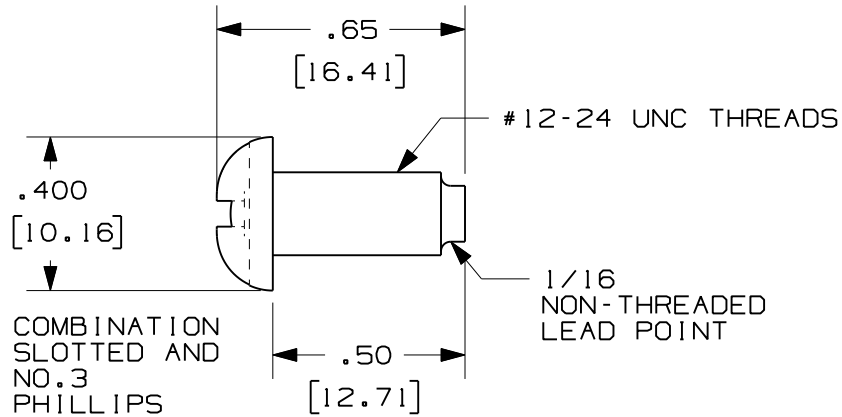
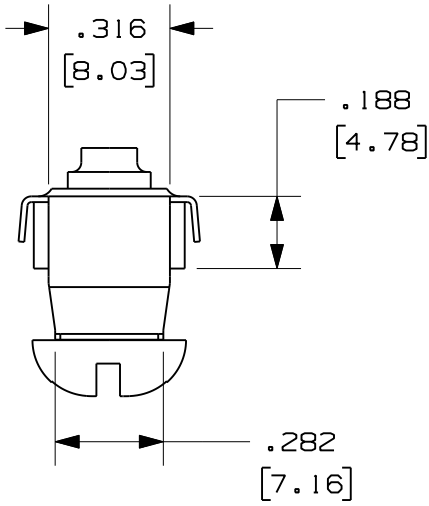
Tel: +86-755-8981 8866 Fax: +86-755-8427 6832

Email & Skype: info@chipsmall.com Web: www.chipsmall.com

Address: A1208, Overseas Decoration Building, #122 Zhenhua RD., Futian, Shenzhen, China

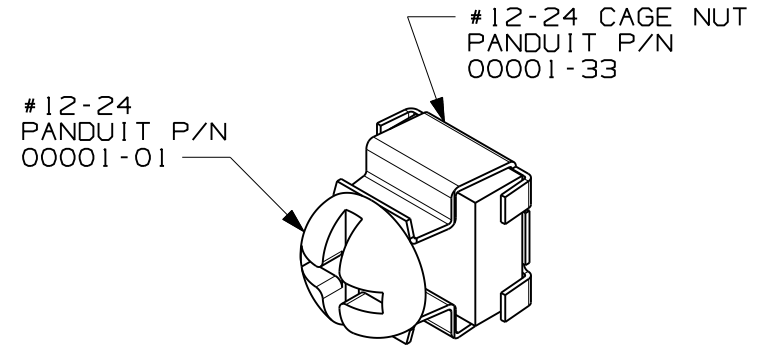
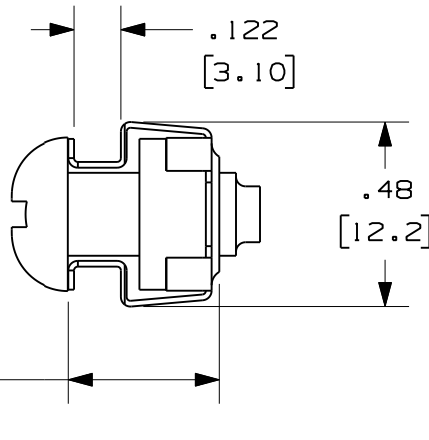
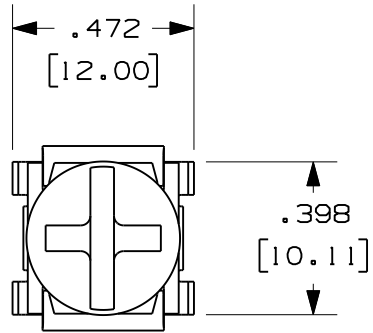


THIS COPY IS PROVIDED ON A RESTRICTED BASIS AND IS NOT TO BE USED IN ANY WAY DETRIMENTAL TO THE INTERESTS OF PANDUIT CORP.



PANDUIT P/N	WEIGHT
CNWS1224-C	1.59 LBS/EACH 0.72 Kg/EACH

- NOTES:
- VISIT OUR ON-LINE CATALOG AT WWW.PANDUIT.COM FOR A LIST OF CURRENT PARTS APPLICABLE FOR USE WITH THIS PRODUCT.
 - DIMENSIONS IN PARENTHESES ARE METRIC (mm).
 - PARTS SUPPLIED:
(100) - #12-24 ROUND HEAD SCREW
(100) - #12-24 CAGE NUT



PARTS SHOWN ASSEMBLED FOR REFERENCE ONLY

MODEL FILENAME	V10293UK/00.PRT
CAD FILENAME/LAYERS	V10293UK_DC/00A.PRT

PANDUIT CORP. TINLEY PARK, ILLINOIS

#12-24 CAGE NUT WITH SCREW-KIT CUSTOMER DRAWING

UNLESS OTHERWISE SPECIFIED, DIMENSIONAL TOLERANCES ARE:		UNLESS OTHERWISE SPECIFIED, ALL DIMENSIONS ARE GIVEN IN INCHES, THIRD ANGLE PROJECTION.	
INCHES	[METRIC - MILLIMETER]	ANGLE	
X.X +/- 0.03	X +/- 0.8		
X.XX +/- 0.015	X.X +/- 0.4	+/- 1°	
X.XXX +/- 0.005	X.XX +/- 0.13		

REV	DATE	BY	CHK	DESCRIPTION	ECN	R	CUST	SUP	OTH
OOA	5-23-08	TMW		RELEASED TO PRODUCTION	V10293UK				

DRAWN BY TMW	MAT'L: SEE NOTES	SCALE 2:1
DATE 5-23-08		DRAWING NO. V10293UK
CHK'D		DWG A SIZE