



Chipsmall Limited consists of a professional team with an average of over 10 year of expertise in the distribution of electronic components. Based in Hongkong, we have already established firm and mutual-benefit business relationships with customers from,Europe,America and south Asia,supplying obsolete and hard-to-find components to meet their specific needs.

With the principle of “Quality Parts,Customers Priority,Honest Operation,and Considerate Service”,our business mainly focus on the distribution of electronic components. Line cards we deal with include Microchip,ALPS,ROHM,Xilinx,Pulse,ON,Everlight and Freescale. Main products comprise IC,Modules,Potentiometer,IC Socket,Relay,Connector.Our parts cover such applications as commercial,industrial, and automotives areas.

We are looking forward to setting up business relationship with you and hope to provide you with the best service and solution. Let us make a better world for our industry!



Contact us

Tel: +86-755-8981 8866 Fax: +86-755-8427 6832

Email & Skype: info@chipsmall.com Web: www.chipsmall.com

Address: A1208, Overseas Decoration Building, #122 Zhenhua RD., Futian, Shenzhen, China





Embedded Device Server

- ▶ Easily network-enable virtually any serial device
- ▶ Flexible, well-developed IP protocol stack
- ▶ Ethernet RJ45 (10Base-T) connector on the board
- ▶ TTL serial interface
- ▶ Two serial ports
- ▶ Accepts 5Vdc regulated input power
- ▶ HTTP, Serial, Telnet and SNMP management
- ▶ Flash ROM for easy software upgrades
- ▶ Custom protocol support available



Design Ethernet Connectivity into Your Products Quickly and Economically

The Lantronix Micro is a board-level product for OEM users who want to embed proven mainstream Ethernet connectivity into their products quickly and economically.

Building Ethernet connectivity into a product is no simple task. It requires a significant investment in hardware and software integration – often in areas outside of core competencies. So why build it yourself when there is a cost-effective alternative?

Lantronix embedded device networking products provide proven, integrated hardware and software solutions for manufacturers who want to add Ethernet connectivity to their products.

Device networking starts with a Device Server™. These amazing products allow most any device with a serial port (TTL) to connect to Ethernet networks quickly and cost-effectively. Device Servers include

all of the elements needed for device networking: a processor, real-time operating system (RTOS), a robust TCP/IP stack, a web server and a network connection. All the connected product needs is a header, providing connections to power and a TTL serial port.

The Micro brings over a decade of networking experience, rock-solid IP firmware and extensive applications support to industrial and commercial environments.

Measuring only 1.6 in x 1.9 in, the Micro can easily fit into almost any size serial device that would benefit from network connectivity. A TTL connector provides the serial interface, and an RJ45 (10BASE-T) is available for Ethernet access. The Micro includes the same IP protocol stack found on the other Lantronix products.





Features

Protocols

ARP, UDP, TCP, Telnet, ICMP, SNMP, DHCP, TFTP and HTTP

Networking Interface

RJ45 (10Base-T) Ethernet

Serial Interface

TTL level (Asynchronous)

Data Rates

300 bps to 115.2 Kbps

Serial Line Formats

Characters: 7 or 8 data bits

Stop bits: 1 or 2

Parity: odd, even, none

Modem Controls

DTR, RTS, CTS, DCD

Flow Control

XON/XOFF (Software)

CTS/RTS (Hardware)

Management

HTTP

SNMP

Serial login

Telnet login

System Software

Flash ROM standard:
downloadable from a TCP/IP
host (TFTP) or over serial port

Diagnostic LEDs

Transmit Data

Receive Data

Good Link

Compatibility

Ethernet: Version 2.0/IEEE 802.3

Power Requirements

5Vdc +/-5% at ~ 200mA

Memory

Flash: 512K

RAM: 128K

NVRAM: 2K Bytes

Environmental

Standard Temperature

0° to 70° C (32° to 158° F)

Storage Temperature

-40° to 85° C (-40° to 185° F)

Physical Dimensions (L x W)

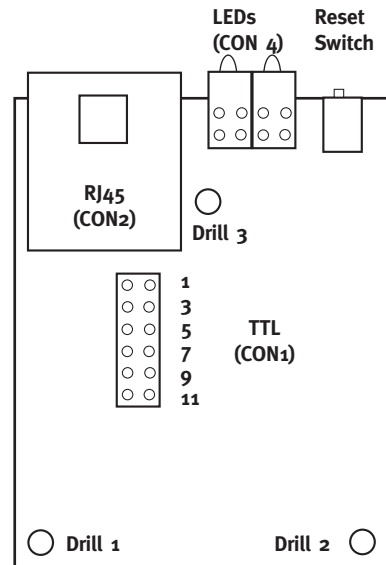
49.15 x 40 mm (1.935 x 1.575 in)

Mechanical drawing available at www.lantronix.com

Warranty

1-year limited warranty

Board Layout and Pinouts



CON1 (2 x 6 Pins)

Pin	Function
1	+5V
2	GND
3	RXA (Input)
4	TXA (Output)
5	RTSA (Output)
6	DTRA (Output)
7	CTSA (Input)
8	DCDA (Input)
9	R/V/A (Output)
10	RESET to be pulled low
11	RXB (Input – optional)
12	TXB (Output – optional)

CON2 (RJ45)

Pin	Con1
1	TX+
2	TX-
3	RX+
4	NC
5	NC
6	RX-
7	NC
8	NC

CON3 (2 x 2 pins in place of RJ45)

Pin	Function
1	TX+
2	TX-
3	RX+
4	RX-

CON4 (2 x 4 pins in place of LEDs)

Pin	Function
1	+5V
2	+5V
3	LED2
4	LED1
5	+5V
6	+5V
7	LED3
8	LED "good link"

Ordering Information

Contact your local Lantronix representative or Lantronix directly:

United States sales@lantronix.com or call OEM sales support at 800-526-8764.

Asia Pacific Region AsiaPacific_sales@lantronix.com

Europe eu_sales@lantronix.com

Japan japan_sales@lantronix.com

Latin America & Caribbean la_sales@lantronix.com

Part Number and Description

CO-E1-00AAR	Micro with no RJ45 and LEDs, RoHS
CO-E1-11AAR	Micro Device Server, Ethernet, RoHS
CO-E1-IAP-R	Micro Industrial Protocol, RoHS
CO-E1M-00AAR	Micro with no RJ45 and LEDs, with MODBUS Firmware, RoHS
CO-E1M-11AAR	Micro with MODBUS Firmware, RoHS
CO-E2-00AB-R	Micro Generic, 2 Serial Port support with no RJ45 and LEDs, RoHS
CO-E2-113AAR	Micro, 2 Serial Port support and TTL Header on back of board, RoHS
CO-E2-11AAR	Micro with 2 Serial Port support, RoHS
CO-E2-12AA-R	Micro with no LEDs, but instead, Header Pins on the TTL side, RoHS
CO-E2-21ABR	Micro, Pin Header on TTL side instead of RJ45, RoHS
CO-E2-22AAR	Micro with 2 TTL Channels, RoHS
CO-E2-22AB-R	Micro with 2TTL Channel, RoHS
CO-E2-IAPR	Micro 2 Channel IAP, RoHS

