



Chipsmall Limited consists of a professional team with an average of over 10 year of expertise in the distribution of electronic components. Based in Hongkong, we have already established firm and mutual-benefit business relationships with customers from,Europe,America and south Asia,supplying obsolete and hard-to-find components to meet their specific needs.

With the principle of “Quality Parts,Customers Priority,Honest Operation,and Considerate Service”,our business mainly focus on the distribution of electronic components. Line cards we deal with include Microchip,ALPS,ROHM,Xilinx,Pulse,ON,Everlight and Freescale. Main products comprise IC,Modules,Potentiometer,IC Socket,Relay,Connector.Our parts cover such applications as commercial,industrial, and automotives areas.

We are looking forward to setting up business relationship with you and hope to provide you with the best service and solution. Let us make a better world for our industry!



Contact us

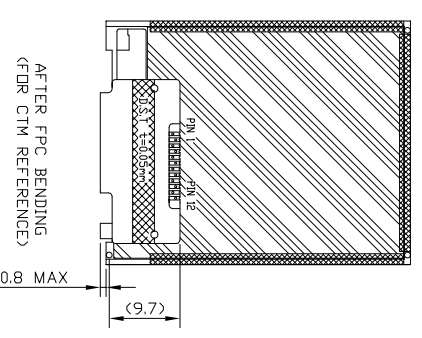
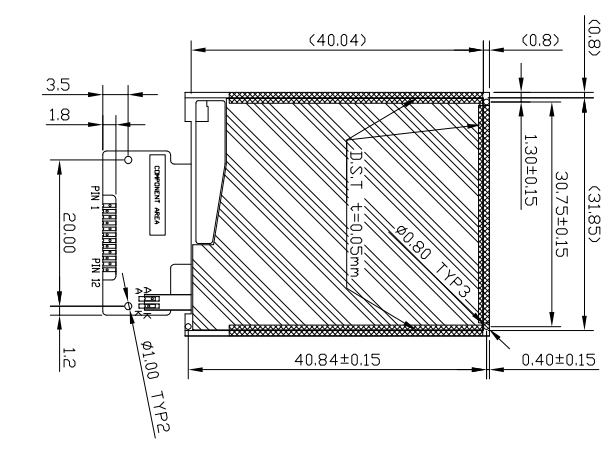
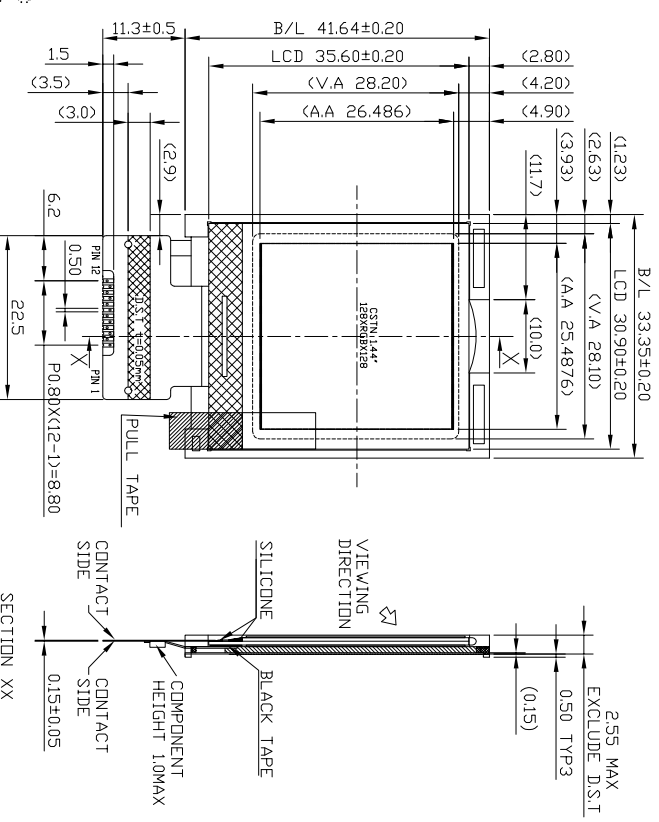
Tel: +86-755-8981 8866 Fax: +86-755-8427 6832

Email & Skype: info@chipsmall.com Web: www.chipsmall.com

Address: A1208, Overseas Decoration Building, #122 Zhenhua RD., Futian, Shenzhen, China

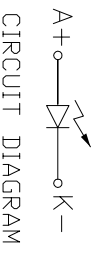


The information contained in this document is proprietary to VARRITRONIX LTD. and shall be protected from any reproduction in part or as a whole without Varritronix's written approval.



PINS ASSIGNMENT:

1	VSS
2	LED K
3	LED A
4	VSS
5	/RESET
6	AD
7	SDA
8	SCK
9	VDDA
10	VDDID
11	/CS
12	VSS



DETAIL A
(FOR REFERENCE ONLY)

RGB	0.207
RGB	0.167
RGB	0.0564
RGB	0.0564

NOTES:

1. ◊ : SPECIAL CHARACTERISTIC
2. + : SAFETY CHARACTERISTIC
3. ▽ : CRITICAL DIMENSION
4. () : REFERENCE DIMENSION

DISPLAY TYPE	CSTN65K
DISPLAY RESOLUTION	128 X RGB X 128
VIEWING ANGLE	6.0CLOCK
LCD CONTROLLER/DRIVER	56B3306
LOGIC VOLTAGE/ANALOGIC	-2.8V~2.8V
OPERATING TEMPERATURE	-20°C TO +70°C
STORAGE TEMPERATURE	-30°C TO +80°C
TYPE	LEDUS
COLOR	White
COORDINATE	-
DRIVING VOLTAGE	-3.2V@2mA
LUMINANCE (cd/m²)	Min: 2500
ON THE BACKLIGHT SURFACE	Max: -

TITLE: SPECIFICATION OF MODULE	
PROJECT NO.: COG-C144MVG1-08	
CUSTOMER NO:	N/A
TOLERANCE UNLESS OTHERWISE SPECIFIED:	XX ±0.3 XXX ±0.1
DIMENSIONS IN MM	
MATERIAL: N/A	FINISH: N/A
SCALE: DO NOT ON SCALE	OVERALL THK: N/A
THIRD ANGLE PROJECTION	
DRAWN: ANNA HE	SIGN: [Signature]
CHECKED: CALM ZHONG	DATE: 09.11.25
APPROVED: REDSUN ZHANG	
ITEM NO.: COG-C144MVG1-08	
DESCRIPTION: COG-C144MVG1-08	
FILE NO.: COG-C144MVG1-08 REV: 0	
SHEET 1	OF 1

