



Chipsmall Limited consists of a professional team with an average of over 10 year of expertise in the distribution of electronic components. Based in Hongkong, we have already established firm and mutual-benefit business relationships with customers from,Europe,America and south Asia,supplying obsolete and hard-to-find components to meet their specific needs.

With the principle of "Quality Parts,Customers Priority,Honest Operation,and Considerate Service",our business mainly focus on the distribution of electronic components. Line cards we deal with include Microchip,ALPS,ROHM,Xilinx,Pulse,ON,Everlight and Freescale. Main products comprise IC,Modules,Potentiometer,IC Socket,Relay,Connector.Our parts cover such applications as commercial,industrial, and automotives areas.

We are looking forward to setting up business relationship with you and hope to provide you with the best service and solution. Let us make a better world for our industry!



Contact us

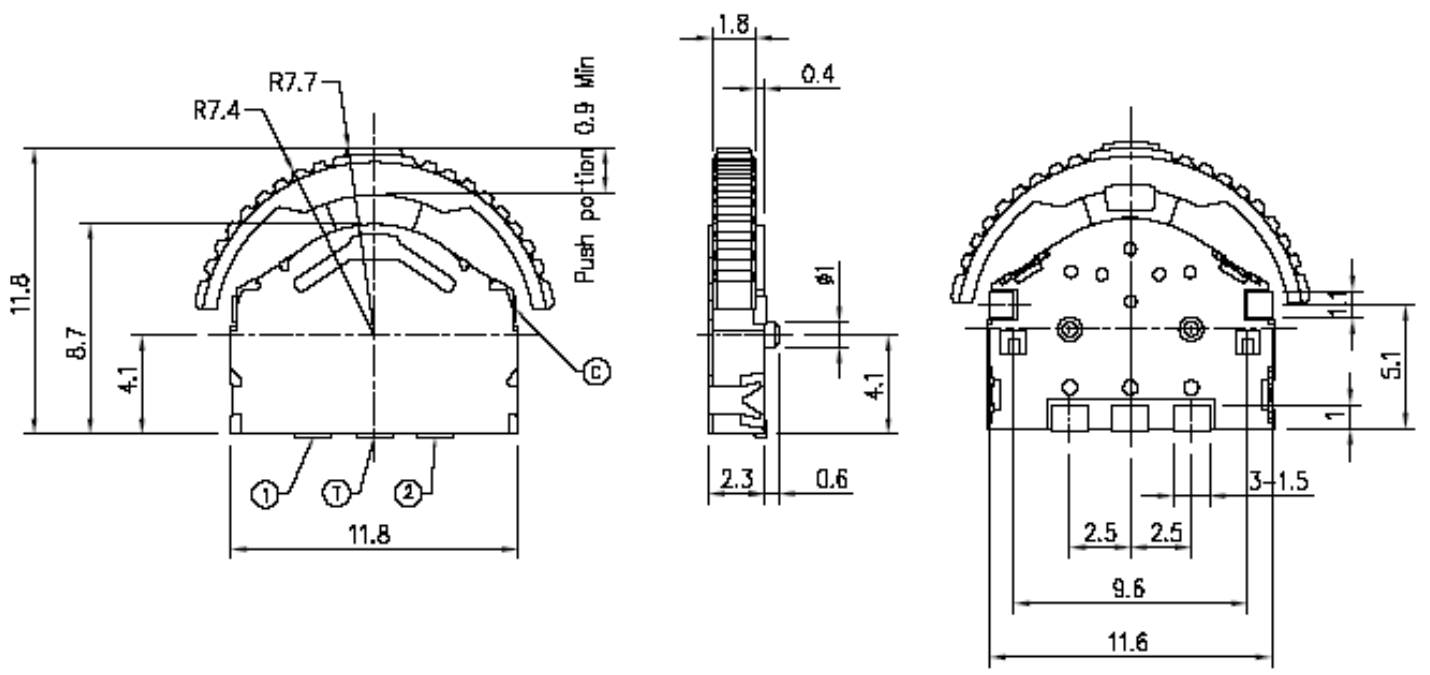
Tel: +86-755-8981 8866 Fax: +86-755-8427 6832

Email & Skype: info@chipsmall.com Web: www.chipsmall.com

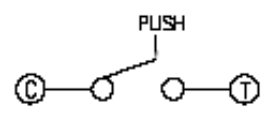
Address: A1208, Overseas Decoration Building, #122 Zhenhua RD., Futian, Shenzhen, China



변경번호 REVISION NO.	변경 일자 DATE	변경 내용 DESCRIPTION OF REVISION	담당 DESIGNED	검토 CHECKED	승인 APPROVED
제					
제					
제					



Circuit Diagram



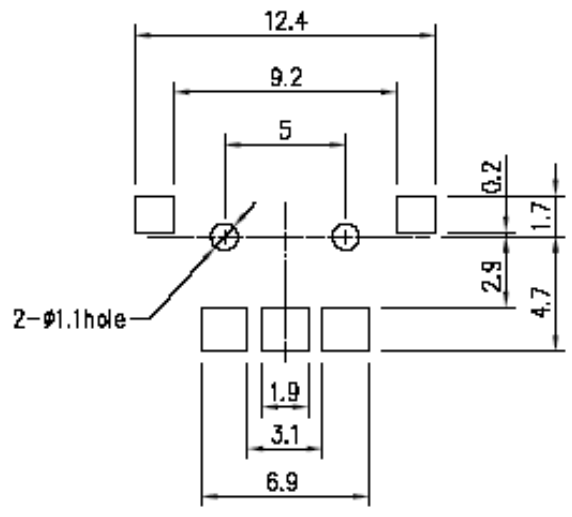
Code Table

CODE TABLE (-ON)

Angle	(25)	(14)°	0°	(14)°	(25)
Terminal					
①					
②					
③					

CCW ← → CW

P.C.B Land Pattern

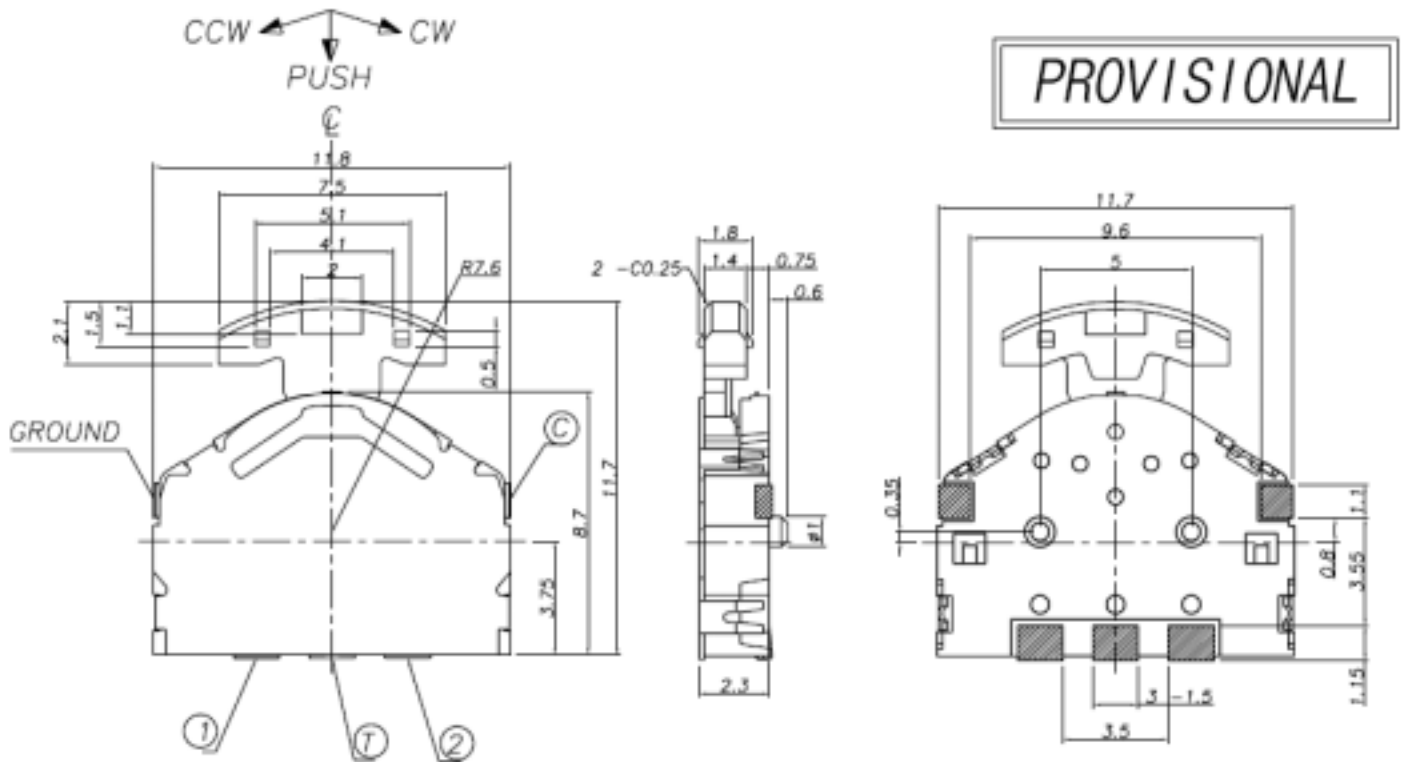


SPECIFICATION

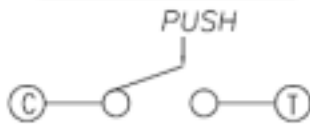
- RATING : 10mA 5V DC
- OUTPUT VOLTAGE : 1Vmin at 5V DC 1mA
- OPERATING FORCE :
70±50gf (LEVER PORTION)
200±100gf (PUSH PORTION)
- LIFE : 100,000 CYCLES

재 질 MATERIAL		규 격 SPECIFICATION		표 면 처 리 FINISH	수 량 QUANTITY	척 도 SCALE
						3 / 1 mm
설 계 DESIGNED	검 도 CHECKED	승 인 APPROVAL	도 계 번 DRAWING NUMBER	I-L15-AD-01A-A		
			부 품 명 PART NAME	LEVER SWITCH		
			제 품 명 MODEL NAME	IL-1305		
2003년 04월 23일			제 3 각 법 3RD ANGLE PROJ	ON SHINE ENTERPRISE CO., LTD.	정 리 번 호 FILE NO.	

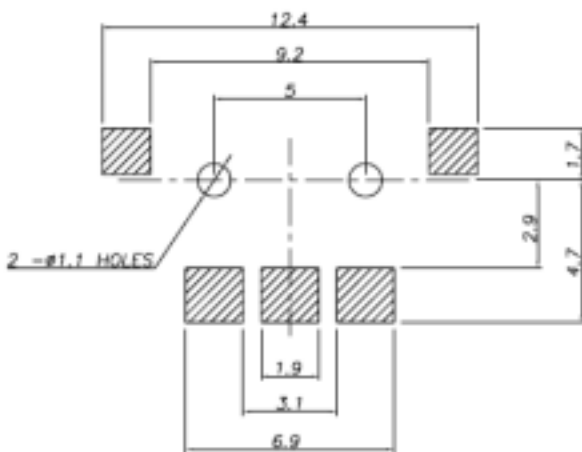
변경번호 REVISION NO.	변경일자 DATE	변경내용 DESCRIPTION OF REVISION	담당 DESIGNED	검토 CHECKED	승인 APPROVED
제					
제					
제					



CIRCUIT DIAGRAM



SMD REFLOW PATTERN (4/1 : ±0.05)



CODE TABLE

TER	ANG.	0° (▨ = ON)	
		(25°) (18°)	(18°) (25°)
①		▨	
②			▨
⊙		▨	▨

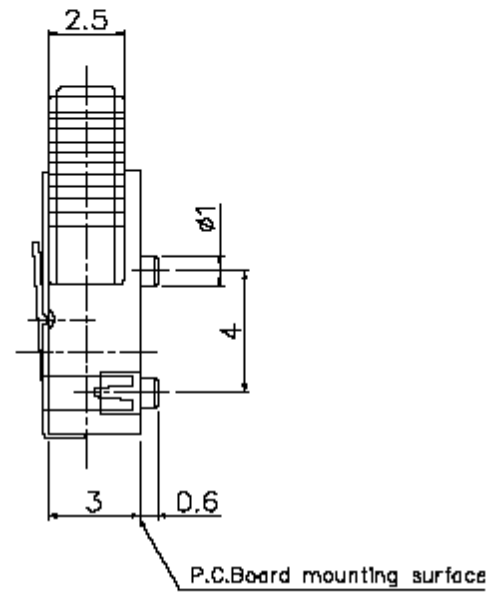
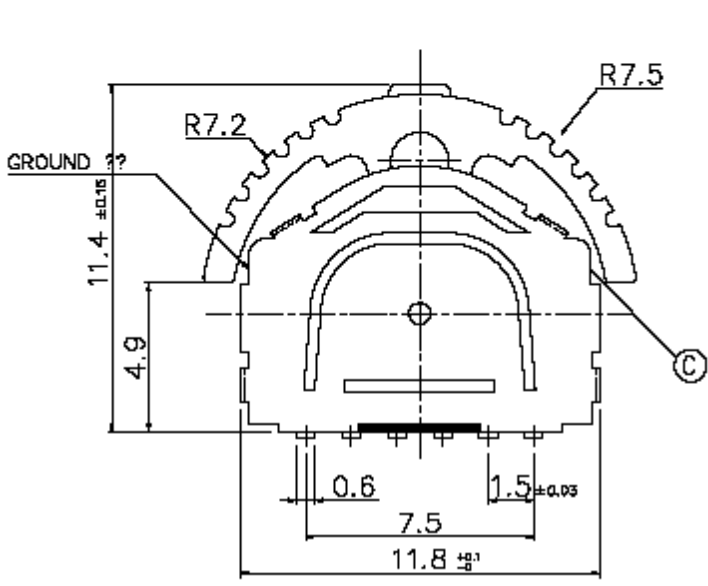
CCW ← → CW

NOTES

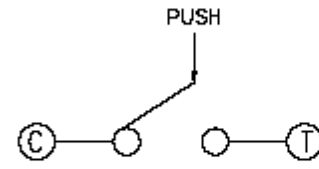
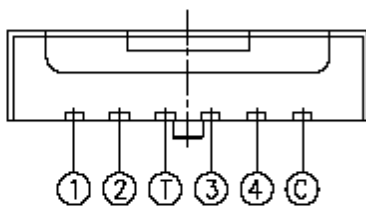
- RATINGS : DC 5V / 10mA
- OUT PUT VOLTAGE : 1V MAX. @ DC 5V 1mA
- OPERATING VOLTAGE
LEVER PORTION : 70 ±50gf
PUSH PORTION : 200 ±100gf
- TRAVEL : 0.9 MIN.(PUSH PORTION)
- OPERATING LIFE : 100K CYCLES (WITHOUT LOAD)
- NON SPECIFIED DIMENSIONS TOLERANCE : ±0.2

제 질 MATERIAL		규 격 REGULATION		표 면 처 리 FINISH	수 량 QUANTITY	척 도 SCALE	단 위 UNIT
설 계 DESIGNED	검 도 CHECKED	승 인 APPROVAL	도 번 DRAWING NUMBER	R-L13A-AD-01A-F		4 / 1 mm	
		도 명 DRAWING NAME	ASSEMBLY DRAWING				
		제 품 명 MODEL NAME	KPL - 1305A				
2003년 8월 20일			제 3 각 법 3RD FILE PROJ.	ON SHINE ENTERPRISE CO., LTD.	정 리 번 호 FILE NO.		

변경번호 REVISION NO.	변경일자 DATE	변경내용 DESCRIPTION OF REVISION	담당 DESIGNER	검토 CHECKED	승인 APPROVED
제					
제					
제					



Circuit Diagram



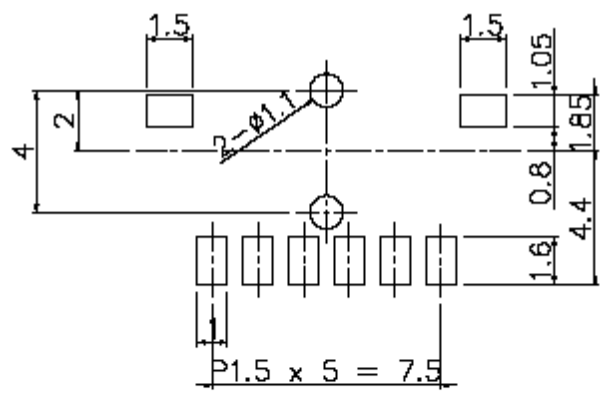
Code Table

CODE TABLE (// = ON)

Angle	25°	0°	25°	
Terminal	(21.5°)	(11°)	(11°)	(21.5°)
①				
②				
③				
④				
⑤				

C/W ← → C/W

P.C.B Land Pattern



SPECIFICATION

- RATING : 10mA 5V DC
- OUTPUT VOLTAGE : 1Vmin at 5V DC 1mA
- OPERATING FORCE :
70±50gf (LEVER PORTION)
200±100gf (PUSH PORTION)
- LIFE : 100,000 CYCLES

재질 MATERIAL		규격 SPECIFICATION		표면처리 FINISH		수량 QUANTITY		최소 HOLE 단위 UNIT	
설계 DESIGNED	검토 CHECKED	승인 APPROVED	도번 DRAWING NUMBER					N / S mm	
			부품명 PART NAME						
			제품명 MODEL NAME	IL-1512					
2002년 월 일			제3각법 3RD ANGLE PROJ.	ON SHINE ENTERPRISE CO., LTD.		정리번호 FILE NO.			