



Chipsmall Limited consists of a professional team with an average of over 10 year of expertise in the distribution of electronic components. Based in Hongkong, we have already established firm and mutual-benefit business relationships with customers from,Europe,America and south Asia,supplying obsolete and hard-to-find components to meet their specific needs.

With the principle of "Quality Parts,Customers Priority,Honest Operation,and Considerate Service",our business mainly focus on the distribution of electronic components. Line cards we deal with include Microchip,ALPS,ROHM,Xilinx,Pulse,ON,Everlight and Freescale. Main products comprise IC,Modules,Potentiometer,IC Socket,Relay,Connector.Our parts cover such applications as commercial,industrial, and automotives areas.

We are looking forward to setting up business relationship with you and hope to provide you with the best service and solution. Let us make a better world for our industry!



Contact us

Tel: +86-755-8981 8866 Fax: +86-755-8427 6832

Email & Skype: info@chipsmall.com Web: www.chipsmall.com

Address: A1208, Overseas Decoration Building, #122 Zhenhua RD., Futian, Shenzhen, China



712 End Window-Alpha-Beta-Gamma Detector***GENERAL SPECIFICATIONS***

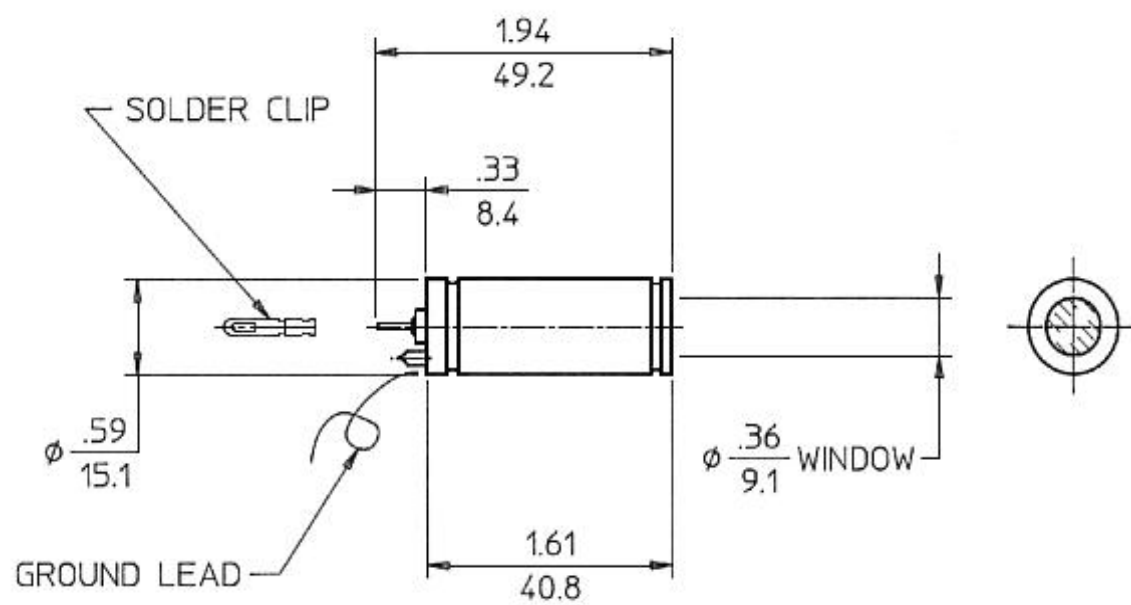
Gas filling	Ne +Halogen
Cathode material	446 Stainless Steel
Maximum length (inch/mm)	1.94/49.2
Effective length (inch/mm)	1.5/38.1
Maximum diameter (inch/mm)	0.59/15.1
Effective diameter (inch/mm)	0.36/9.1
Connector	Pin
Operating temperature range °C	-40 to +75

WINDOW SPECIFICATIONS

Areal density (mg/cm ²)	1.5 - 2.0
Effective diameter (inch/mm)	0.36/9.1
Material	Mica

ELECTRICAL SPECIFICATIONS

Recommended anode resistor (meg ohm)	10
Maximum starting voltage (volts)	325
Recommended operating voltage (volts)	500
Operating voltage range (volts)	450 - 650
Maximum plateau slope (%/100 volts)	6
Minimum dead time (micro sec)	90
Gamma sensitivity Co60 (cps/mr/hr)	18
Tube capacitance (pf)	3
Weight (grams)	8
Maximum background shielded 50mm Pb + 3mm Al (cpm)	10



GAMMA SENSITIVITY

TUBE TYPE - 712

