



Chipsmall Limited consists of a professional team with an average of over 10 year of expertise in the distribution of electronic components. Based in Hongkong, we have already established firm and mutual-benefit business relationships with customers from,Europe,America and south Asia,supplying obsolete and hard-to-find components to meet their specific needs.

With the principle of "Quality Parts,Customers Priority,Honest Operation,and Considerate Service",our business mainly focus on the distribution of electronic components. Line cards we deal with include Microchip,ALPS,ROHM,Xilinx,Pulse,ON,Everlight and Freescale. Main products comprise IC,Modules,Potentiometer,IC Socket,Relay,Connector.Our parts cover such applications as commercial,industrial, and automotives areas.

We are looking forward to setting up business relationship with you and hope to provide you with the best service and solution. Let us make a better world for our industry!



## Contact us

Tel: +86-755-8981 8866 Fax: +86-755-8427 6832

Email & Skype: info@chipsmall.com Web: www.chipsmall.com

Address: A1208, Overseas Decoration Building, #122 Zhenhua RD., Futian, Shenzhen, China



# 深圳市艾特艾科技有限公司

## 样品确认书

### SPECIFICATION

艾特艾科技	客户资料 CUSTOMER'S INFORMATION
产品名称: LED 数码显示屏 PRODUCTI ON NAME: LED DI GI TS	客户: CUSTOMER:
产品型号: 四位数码管 PRDCTI ON TYPE: ATA8041AG	机型: MODEL NO:
规格摘要: 全绿色 TYPE: GREEN	料号: PART NO:

日期: 2012-10-29 DATE: October 29, 2012	承办人: ISSUEDER:
--	-------------------

客户确认 APPROVED BY	
签名: SIGN:	日期: DATE:
结论 RESULT:	

确认后请回传 PLEASE RETURN BY ONE COPY

可向您设计, 生产各种规格型号的发光二极管、数码管、点阵、背光源、VCD/ DVD

驱动 IC、光电应用产品

设计 (DESIGN): 陈良英 检查 (CHECKED): 谢海峰 批准 (APPROVED): \_\_\_\_\_

深圳市艾特艾科技有限公司  
地址: 深圳市宝安区西乡镇固戍航城大道翻身华丰工业园 A1 座五楼  
第 1 页 共 4 页

电话: 0755-81451828  
传真: 0755-81451886

# 深圳市艾特艾科技有限公司

## 产品说明书

1. 型号 (PART NO.): **ATA8041AG**

2. 说明 (Description):

发光颜色 (Emitted Color): 全绿色

外观颜色 (Lens Color): 黑、白两色

外形尺寸 (Max Size): 71.60\*25.70\*8.50

### 极限参数 (Absolute Maximum Ratings)

#### 绿色 (GREEN)

参数 (Parameter)	单位 (Symbol)	极限值 (Maximum Rating)	单位 (Unit)
功耗 (Power Dissipation)	Pd	65	mW
脉冲电流 (Peak Forward Current)	Ifp	60	mA
直流电流 (Continuous Forward Current)	Ifm	30	mA
反向电压 (Reverse Voltage)	V <sub>R</sub>	5	V
工作温度 (Operating Temperature Range)	Topr	-20 → +65	°C
储藏温度 (Storage Temperature Range)	Tstg	-20 → +70	°C
静电电压 (Static Voltage)	Var	1000	V

\*焊接温度 (Lead Soldering Temperature): 260°C for 3 seconds

\*当工作温度高于 25°C 时, Ifm, Ifp 和 Id 必须降低; 电流降低率是 -0.36mA/°C (直流驱动), 或 -0.86mA/°C (脉冲驱动) 功耗降低率是 -0.75mW/°C。产品的工作电流不能大于对应工作温度条件 Ifm 或 Ifp 的 60%。  
For operation above 25°C, The Ifm Ifp & Pd must be derated, the Current derating is -0.36mA/°C for DC drive and -0.86mA/°C for Pulse drive, the power dissipation is -0.75mW/°C. The product working current must not more than the 60% of the Ifm or Ifp according to the working temperature.

### 光电特性 (Optical-Electrical Characteristic) ——> 建议使用驱动检测

#### 绿色 (GREEN)

参数 (Parameter)	测试条件 (Test CONDITION)	单位 (Symbol)	Min	Type	Max	单位 (Unit)
发光强度 (Luminous Intensity)	I <sub>F</sub> =10mA	I <sub>v</sub>	20	23	29	Mcđ
正向电压 (Forward Voltage)	I <sub>F</sub> =10mA	V <sub>F</sub>	2.0	2.1	2.2	V
反向电流 (REVERSE Current)	V <sub>R</sub> = 5V	I <sub>R</sub>	-	-	100	uA
波长 (Peak Wavelength)	I <sub>F</sub> =10mA	λ <sub>p</sub>	570	572	573	nm
带宽 (Spectral Bandwidth)	I <sub>F</sub> =10mA	Δλ	-	10	-	nm
查看角度 (View Angle)	I <sub>F</sub> =10mA	2θ <sub>1/2</sub>	-	60	-	Deg.

设计 (DESIGN): 陈良英 检查 (CHECKED): 谢海峰 批准 (APPROVED): \_\_\_\_\_

深圳市艾特艾科技有限公司  
地址: 深圳市宝安区西乡镇固戍航城大道翻身华丰工业园 A1 座五楼  
第 2 页 共 4 页

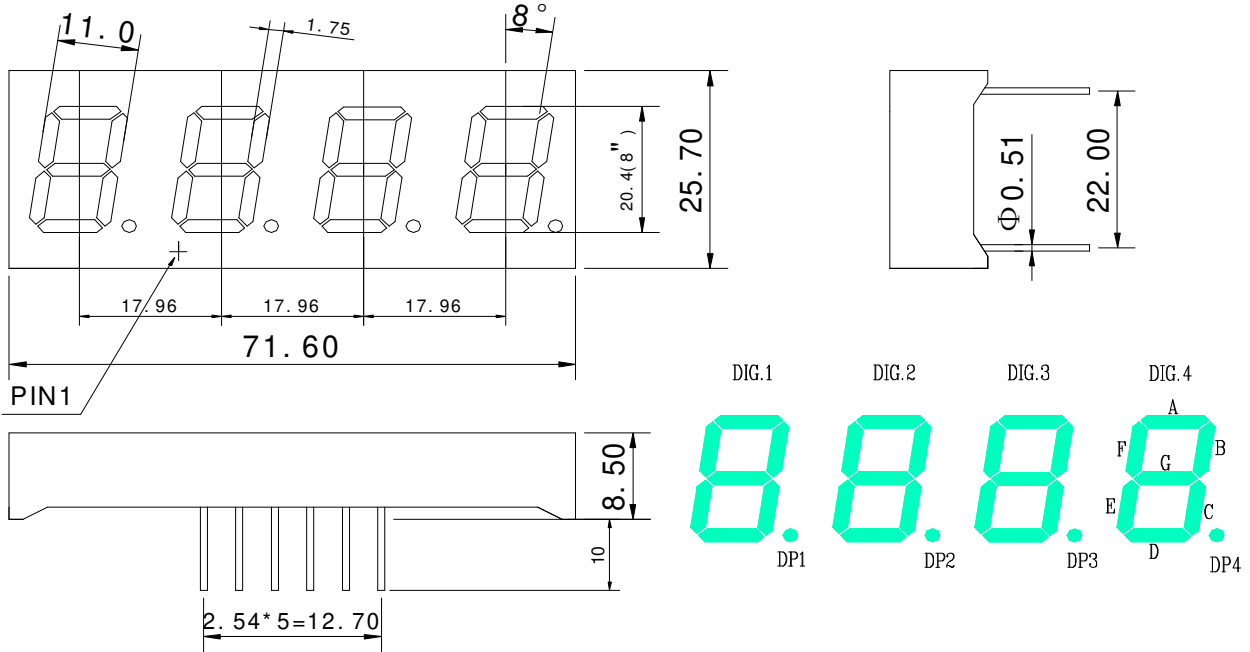
电话: 0755-81451828  
传真: 0755-81451886

# 深圳市艾特艾科技有限公司

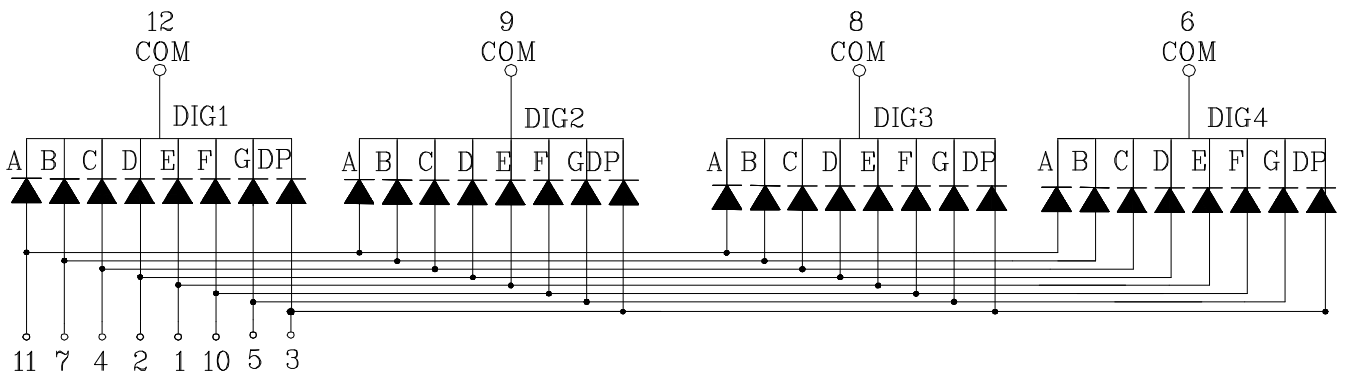
## 3. 结构尺寸 (Mechanical Outline) :

(未注尺寸公差 Unspecified Tolerances is:  $X \pm 0.2$  发光颜色: 全绿色

COLOR: GREEN



## 4. 电路图 (Circuit Diagram) :



设计 (DESIGN): 陈良英 检查 (CHECKED): 谢海峰 批准 (APPROVED): \_\_\_\_\_

深圳市艾特艾科技有限公司  
地址: 深圳市宝安区西乡镇固戍航城大道翻身华丰工业园 A1 座五楼  
第 3 页 共 4 页

电话: 0755-81451828  
传真: 0755-81451886

# 深圳市艾特艾科技有限公司

## 5. 保存和焊接条件 (Storage & Soldering Conditions) :

- | Store with care. Storing the units in bad condition will cause the reflector sheet and decrease it's adhesive power. Storage the products under the condition : temperature (  $25^{\circ}\text{C} \pm 10^{\circ}\text{C}$  ) and humidity (  $65^{\circ}\text{C RH} \pm 20^{\circ}\text{C RH}$  ) our recommendation. ● 注意保存, 保存条件不好时, 会降低膜片与反射壳 (导光板) 的粘附力。  
推荐保存条件为: 温度  $25^{\circ}\text{C} \pm 10^{\circ}\text{C}$   
湿度  $65^{\circ}\text{C RH} \pm 20^{\circ}\text{C RH}$
- | The Soldering Temperature is  $260 \pm 5^{\circ}\text{C}$  and Soldering Time should be less than 3 sec, and soldering iron power should be less than 30W ● 焊接温度  $260^{\circ}\text{C} \pm 5^{\circ}\text{C}$ , 焊接时间小于 3 秒, 烙铁功率小于 30W
- | The soldering point should be farther than 1.6mm from body. ● 焊接点应离产品实体大于 1.6mm

设计 (DESIGN): 陈良英 检查 (CHECKED): 谢海峰 批准 (APPROVED): \_\_\_\_\_

深圳市艾特艾科技有限公司  
地址: 深圳市宝安区西乡镇固戍航城大道翻身华丰工业园 A1 座五楼  
第 4 页 共 4 页

电话: 0755-81451828  
传真: 0755-81451886