



Chipsmall Limited consists of a professional team with an average of over 10 year of expertise in the distribution of electronic components. Based in Hongkong, we have already established firm and mutual-benefit business relationships with customers from,Europe,America and south Asia,supplying obsolete and hard-to-find components to meet their specific needs.

With the principle of “Quality Parts,Customers Priority,Honest Operation,and Considerate Service”,our business mainly focus on the distribution of electronic components. Line cards we deal with include Microchip,ALPS,ROHM,Xilinx,Pulse,ON,Everlight and Freescale. Main products comprise IC,Modules,Potentiometer,IC Socket,Relay,Connector.Our parts cover such applications as commercial,industrial, and automotives areas.

We are looking forward to setting up business relationship with you and hope to provide you with the best service and solution. Let us make a better world for our industry!



## Contact us

Tel: +86-755-8981 8866 Fax: +86-755-8427 6832

Email & Skype: info@chipsmall.com Web: www.chipsmall.com

Address: A1208, Overseas Decoration Building, #122 Zhenhua RD., Futian, Shenzhen, China





# Shift register programmable RGB Lamp

## Feature

- Power supply: DC4.5V~6V
- Integrate RGB LEDs with Control IC at same body
- Support 256 dimming level for each color
- Internal frequency up to 800K Hz
- Single wire signal transmission(clock and Data)
- To be controlled by external MCU to achieve target image
- Available on  $\phi$  5mm,  $\phi$  8 mm
- No external component required

## Package Type

1.DIN  
2.VDD  
3.GND  
4.DOUT



APA-106-F8

1.DIN  
2.VDD  
3.GND  
4.DOUT

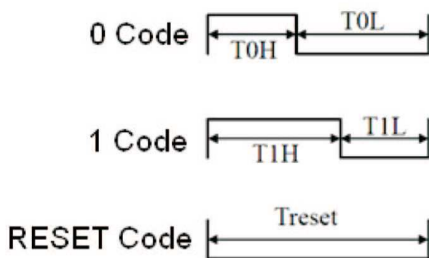


APA-106-F5

## Package selection

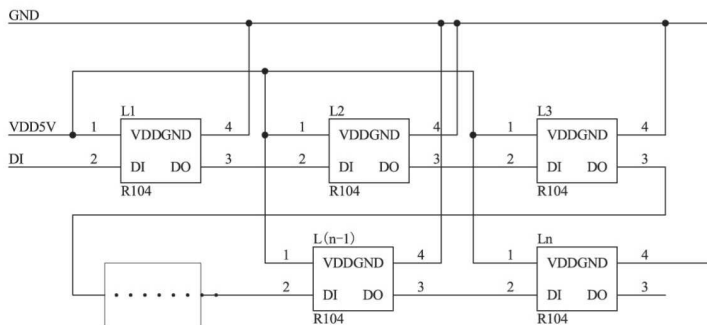
PART No.	Package
APA-106-F8	$\phi$ 8
APA-106-F5	$\phi$ 5

## Timing waveform



Name	Description	Typically	Allowable error
T0H	0 code, high level time	0.35 $\mu$ s	$\pm$ 150ns
T1H	1 code, high level time	1.36 $\mu$ s	$\pm$ 150ns
T0L	0 code, low level time	1.36 $\mu$ s	$\pm$ 150ns
T1L	1 code, low level time	0.35 $\mu$ s	$\pm$ 150ns
RES	RESET code	50us	

## Application Note



LED screen

## Typical Application



Spot light for advertsing



Flexible LED string