



Chipsmall Limited consists of a professional team with an average of over 10 year of expertise in the distribution of electronic components. Based in Hongkong, we have already established firm and mutual-benefit business relationships with customers from,Europe,America and south Asia,supplying obsolete and hard-to-find components to meet their specific needs.

With the principle of “Quality Parts,Customers Priority,Honest Operation,and Considerate Service”,our business mainly focus on the distribution of electronic components. Line cards we deal with include Microchip,ALPS,ROHM,Xilinx,Pulse,ON,Everlight and Freescale. Main products comprise IC,Modules,Potentiometer,IC Socket,Relay,Connector.Our parts cover such applications as commercial,industrial, and automotives areas.

We are looking forward to setting up business relationship with you and hope to provide you with the best service and solution. Let us make a better world for our industry!



Contact us

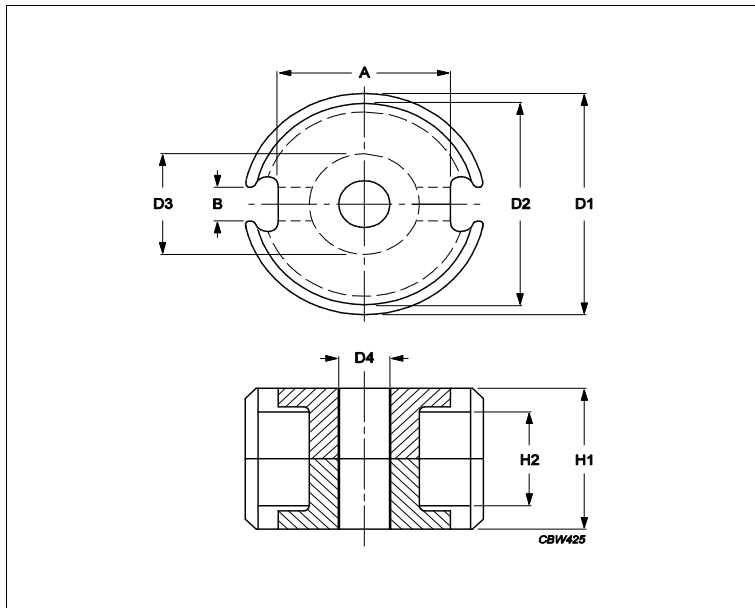
Tel: +86-755-8981 8866 Fax: +86-755-8427 6832

Email & Skype: info@chipsmall.com Web: www.chipsmall.com

Address: A1208, Overseas Decoration Building, #122 Zhenhua RD., Futian, Shenzhen, China



Core **P14/8**



Effective parameters			
	Parameter	Value	Unit
$\Sigma(I/A)$	core factor (C1)	0.789	mm ⁻¹
Ve	effective volume	495	mm ³
Le	effective length	19.8	mm
Ae	effective area	25.1	mm ²
Amin	minimum area	19.8	mm ²
m	P14/8	≈ 3.2	g/set

Dimensions for product: P14/8

	Nom	Tol +	Tol -	Max	Min	Unit
A	9.50	0.30	0.30	9.80	9.20	mm
B	2.70	1.20	0.00	3.90	2.70	mm
D1	14.30	0.00	0.50	14.30	13.80	mm
D2	11.60	0.40	0.00	12.00	11.60	mm
D3	6.00	0.00	0.20	6.00	5.80	mm
D4	3.10	0.10	0.10	3.20	3.00	mm
H1	8.40	0.10	0.20	8.50	8.20	mm
H2	5.60	0.40	0.00	6.00	5.60	mm

Inductance factor

Material	Value	Tol +	Tol -	Unit
3C91	2800	25%	25%	nH/turns ²
3D3	1000	25%	25%	nH/turns ²
3H3	2150	25%	25%	nH/turns ²
4C65	190	25%	25%	nH/turns ²

Power loss: 3C91

Measuring conditions			Max	Unit
100 kHz	200 mT	60 °C	0.250	W/set

Bsat

Measuring conditions			Material	Min	Unit
25 kHz	250 A/m	100 °C	3C91	320	mT

Core **P14/8**

Accessories		
Ordering name	Description	Ordering code
BPL/D-CLM/C-P14/8-C	Base plate, D shape to be used with CL	432202145081
BPL/R-CLM/C-P14/8-C	Base plate, round to be used with CLM/	432202145111
CLM/C-P14/8	Clamp, pin bend mounted	432202145121
CLM/T-P14/8-C	Clamp, self locking	432202126491
CLM/TP-P14/8-C	Clamp, self locking, with ground pin	432202126151
CON-P14/8	Container	432202103041
CP-P14/8-1S	Coil former, termoplastic	432202102361
CP-P14/8-1S-A	Coil former, termoplastic	433500026041
CP-P14/8-2S	Coil former, termoplastic	432202102371
CP-P14/8-3S-A	Coil former, termoplastic	433500026061
CPV-P14/8-1S-4SPD-Z	Coil former, termoplastic, vertical	433506026351
CPV-P14/8-1S-6PD-Z	Coil former, termoplastic, vertical	433506026371
CPV-P14/8-2S-4SPD-Z	Coil former, termoplastic, vertical	433506026391
CPV-P14/8-2S-6PDL-Z	Coil former, termoplastic, vertical	433506026421
CPV-P14/8-2S-6PD-Z	Coil former, termoplastic, vertical	433506026411
SPR-P14/8	Spring	432202130631
TGP-P14/8-C	Tag plante	432202104261
WAS-CLM/C-P14/8	Washer, phenolformaldehyde (PF) to b	433500045131