



Chipsmall Limited consists of a professional team with an average of over 10 year of expertise in the distribution of electronic components. Based in Hongkong, we have already established firm and mutual-benefit business relationships with customers from,Europe,America and south Asia,supplying obsolete and hard-to-find components to meet their specific needs.

With the principle of “Quality Parts,Customers Priority,Honest Operation,and Considerate Service”,our business mainly focus on the distribution of electronic components. Line cards we deal with include Microchip,ALPS,ROHM,Xilinx,Pulse,ON,Everlight and Freescale. Main products comprise IC,Modules,Potentiometer,IC Socket,Relay,Connector.Our parts cover such applications as commercial,industrial, and automotives areas.

We are looking forward to setting up business relationship with you and hope to provide you with the best service and solution. Let us make a better world for our industry!



Contact us

Tel: +86-755-8981 8866 Fax: +86-755-8427 6832

Email & Skype: info@chipsmall.com Web: www.chipsmall.com

Address: A1208, Overseas Decoration Building, #122 Zhenhua RD., Futian, Shenzhen, China



General Accessories

Connectors

Type CONB5...

CARLO GAVAZZI



CONB5x-Ax



CONB5x-Sx

- Straight or 90° connectors
- M8 version
- 3 or 4 wire
- LEDs in transparent housing
- IP 67
- UL approved

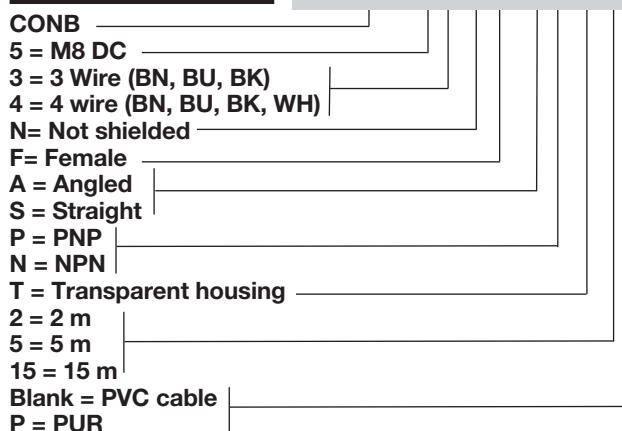
Product Description

M8 connection cables for 3 wires or 4 wires. Come in straight or angled versions. Some versions are also with LED.

UL approved high-quality connection cable either in PVC jacket or in the more durable PUR jacket.

Ordering Key

CONB53NF-APT2P



Type Selection

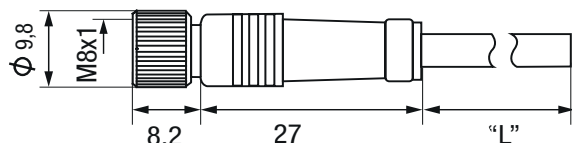
Plug type	Cable length	Ordering number	Ordering number	Ordering number	Ordering number
		PVC	PUR	PVC LED NPN	PVC LED PNP
3-Wire Angled	2 m	CONB53NF-A2	CONB53NF-A2P	CONB53NF-ANT2	CONB53NF-APT2
	5 m	CONB53NF-A5	CONB53NF-A5P	CONB53NF-ANT5	CONB53NF-APT5
	10 m	CONB53NF-A10	CONB53NF-A10P		
	15 m	CONB53NF-A15	CONB53NF-A15P		
3-Wire Straight	2 m	CONB53NF-S2	CONB53NF-S2P		
	5 m	CONB53NF-S5	CONB53NF-S5P		
	10 m	CONB53NF-S10	CONB53NF-S10P		
	15 m	CONB53NF-S15	CONB53NF-S15P		
4-Wire Angled	2 m	CONB54NF-A2	CONB54NF-A2P		
	5 m	CONB54NF-A5	CONB54NF-A5P		
	10 m	CONB54NF-A10	CONB54NF-A10P		
	15 m	CONB54NF-A15	CONB54NF-A15P		
4-Wire Straight	2 m	CONB54NF-S2	CONB54NF-S2P		
	5 m	CONB54NF-S5	CONB54NF-S5P		
	10 m	CONB54NF-S10	CONB54NF-S10P		
	15 m	CONB54NF-S15	CONB54NF-S15P		

Specifications

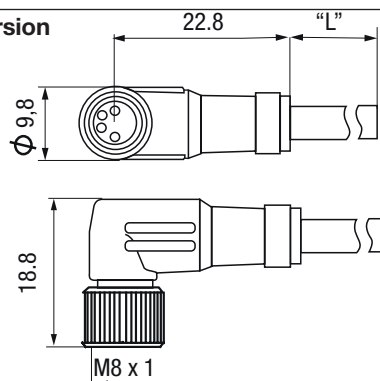
Rated operating voltage 3 & 4 wire LED versions	60VAC/DC 30 VDC	Moulded body material	TPU translucent
Rated current	≤4A	O-ring sealing	FKM
Contact resistance	≤5mΩ	Coupling screw	CuZn, nickel plated
Rated impulse voltage	1.5KV	Tightening torque	0.5 Nm
Insulation resistance	>10 ⁹ Ω	Degree of protection	IP67
Cable outer diameter PUR PVC	4.3mm 5.0mm	Pollution degree	3
Wire cross section	3 wires: 0,34mm ² 4 wires: 0,25mm ²	Pin IEC standard	IEC61076-2-104
Cable	PVC or PUR, black	Temperature	-40° to 90°C
Contact material	CuSn	Weight* 2m version 5m version 10m version 15m version	approx 100g approx 200g approx 300g approx 500g *varies depending on model
Contact plating	pre-nickelled and gold plated	LED colour Power Output	green yellow
Contact bearer material	PA/TPU orange		

Dimensions

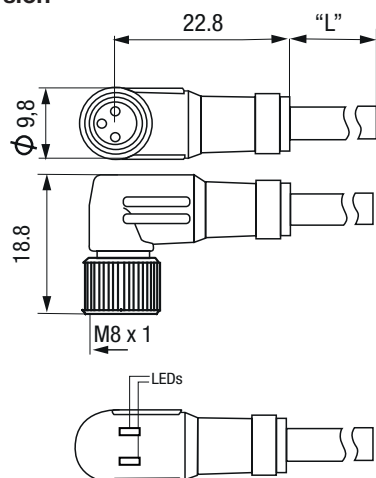
Straight version



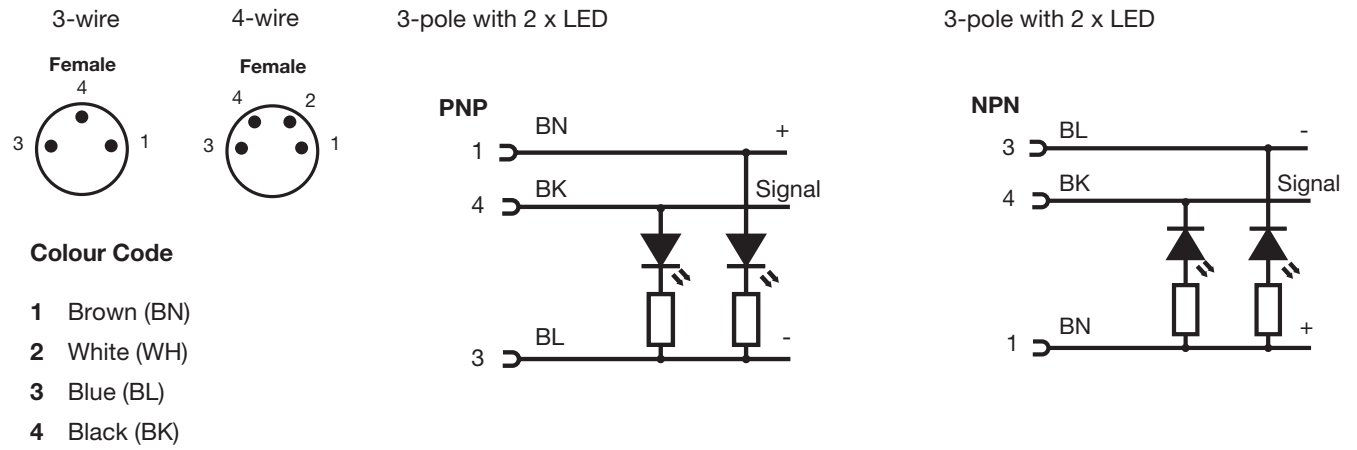
Angled version



LED version



Contact layout



Derating curve (DIN EN 60512-5-2)

