



Chipsmall Limited consists of a professional team with an average of over 10 year of expertise in the distribution of electronic components. Based in Hongkong, we have already established firm and mutual-benefit business relationships with customers from,Europe,America and south Asia,supplying obsolete and hard-to-find components to meet their specific needs.

With the principle of "Quality Parts,Customers Priority,Honest Operation,and Considerate Service",our business mainly focus on the distribution of electronic components. Line cards we deal with include Microchip,ALPS,ROHM,Xilinx,Pulse,ON,Everlight and Freescale. Main products comprise IC,Modules,Potentiometer,IC Socket,Relay,Connector.Our parts cover such applications as commercial,industrial, and automotives areas.

We are looking forward to setting up business relationship with you and hope to provide you with the best service and solution. Let us make a better world for our industry!



Contact us

Tel: +86-755-8981 8866 Fax: +86-755-8427 6832

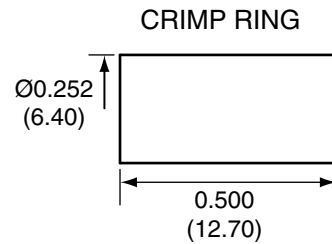
Email & Skype: info@chipsmall.com Web: www.chipsmall.com

Address: A1208, Overseas Decoration Building, #122 Zhenhua RD., Futian, Shenzhen, China

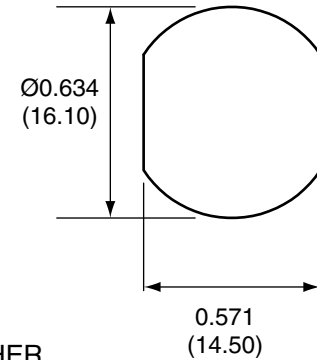


Description	Material	Finish
Body	Brass	Nickel
Socket	Brass	Gold
Insulation	PTFE	N/A
Crimp Ring	Brass	Nickel
O Ring	SI Rubber	Rubber
Washer	Brass	Nickel
Nut	Brass	Nickel

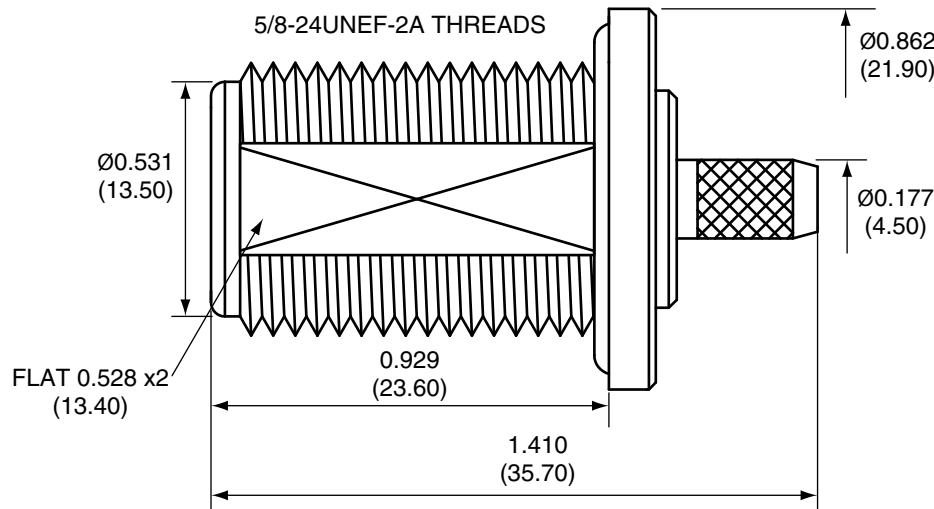
REVISIONS			
REV	DESCRIPTION	DATE	APPV
B	Added New Title Block	12-JUL-12	SAH



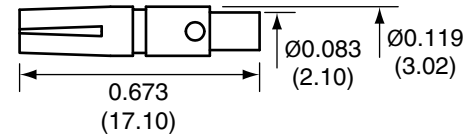
RECOMMENDED MOUNTING HOLE



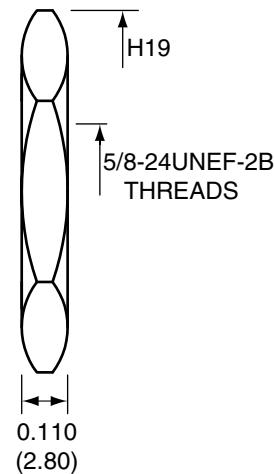
SIDE VIEW



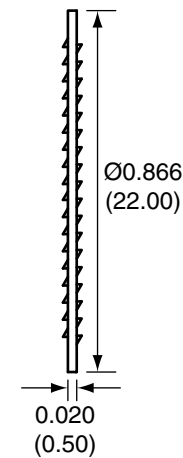
SOCKET



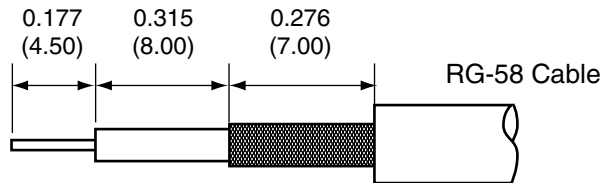
NUT



WASHER



RECOMMENDED CABLE STRIPPING DIMENSIONS



NOTES: (UNLESS OTHERWISE SPECIFIED)

- ALL DIMENSIONS ARE IN INCHES [mm].
- DIMENSIONS APPLY AFTER FINISHING.
- MANUFACTURE TO BE COMPLIANT WITH EU RoHS DIRECTIVE.
- SAFETY BREAK ALL SHARP CORNERS AND EDGES .02 MAXIMUM.

WARNING: THIS DRAWING CONTAINS PROPRIETARY INFORMATION THAT IS THE SOLE PROPERTY OF LINX TECHNOLOGIES, AND SHALL BE TREATED AS SUCH. NO DISCLOSURE OR REPRODUCTION OF THIS DOCUMENT IS PERMITTED, IN WHOLE OR IN PART, WITHOUT THE EXPRESS WRITTEN PERMISSION OF LINX TECHNOLOGIES OR ITS DESIGNATED AGENTS.

MATERIAL:	TOLERANCES: .020 [0.50]-.200 [5.00]= ±.008 [0.20] .200 [5.00]-1.200 [30.00]= ±.016 [0.40] 1.20 [30.0]-4.75 [120.0]= ±.024 [0.60] 4.75 [120.0]-12.40 [315.0]= ±.040 [1.0]	PROJECTION:
FINISH:	DRAWN: B.MURPHY	DT: 12-JUL-12
	ENGR: S.HOGAN	DT: 12-JUL-12

Linx

159 ORT LANE
MERLIN, OR 97532

TITLE:
N FEMALE BULKHEAD MOUNT
CABLE END CRIMP FOR RG158 CABLE

SIZE	DWG. NO.	REV
A	CONN005-R58	B
SCALE: 2:1	DO NOT SCALE DRAWING	SHEET 1 OF 1

CONN005-R58 ASSEMBLY INSTRUCTIONS

- Solder the socket to the center conductor.
- Insert the socket, center conductor, and insulator into the body.
- Wrap the braid around the tail of the body and crimp the ring with a hex crimp tool labeled for use with RG-58 cable.