



Chipsmall Limited consists of a professional team with an average of over 10 year of expertise in the distribution of electronic components. Based in Hongkong, we have already established firm and mutual-benefit business relationships with customers from,Europe,America and south Asia,supplying obsolete and hard-to-find components to meet their specific needs.

With the principle of “Quality Parts,Customers Priority,Honest Operation,and Considerate Service”,our business mainly focus on the distribution of electronic components. Line cards we deal with include Microchip,ALPS,ROHM,Xilinx,Pulse,ON,Everlight and Freescale. Main products comprise IC,Modules,Potentiometer,IC Socket,Relay,Connector.Our parts cover such applications as commercial,industrial, and automotives areas.

We are looking forward to setting up business relationship with you and hope to provide you with the best service and solution. Let us make a better world for our industry!



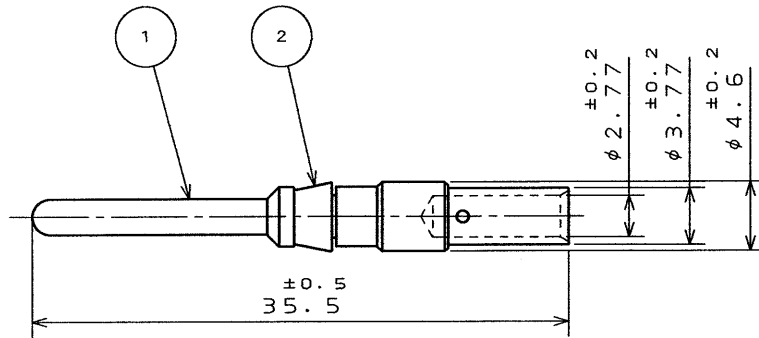
Contact us

Tel: +86-755-8981 8866 Fax: +86-755-8427 6832

Email & Skype: info@chipsmall.com Web: www.chipsmall.com

Address: A1208, Overseas Decoration Building, #122 Zhenhua RD., Futian, Shenzhen, China





NOTE 1. APPLICABLE WIRE SIZE IS MENTIONED BELOW.

TABLE 1

CRIMP TYPE	APPLICABLE WIRE	
	WIRE SIZE	INSULATION OUTER DIA.
C 1	AWG #12~16 (3.5mm~1.25mm)	φ 4.65MAX.

2	RETAINER CLIP	1	SYNTHETIC RESIN	_____	_____
1	PIN CONTACT	1	COPPER ALLOY	SILVER PLATING	_____
ITEM	DESCRIPTION	Q'TY	MATERIAL	FINISH	REMARKS
UNLESS OTHERWISE SPECIFIED; T73-18-M		DATE	TITLE		
DIMENSIONS ARE IN MILLIMETERS TOLERANCES ON : (INCHES) FRACTIONS DECIMALS ANGLES		21. Apr. '95	JAE-CONNECTOR.COM JAPAN AVIATION ELECTRONICS INDUSTRY, LTD. (#12PIN MACHINE CONTACT) MUSASHINO, AKISHIMA-SHI TOKYO, JAPAN DWG. NO. S J 0 2 5 4 2 8 - E		
		M. OOWA			
		S. NANA O			
		T. MORITA			
		APP'D	SERIES	SCALE	
		M. Takagi	JL05	2/1	