



Chipsmall Limited consists of a professional team with an average of over 10 year of expertise in the distribution of electronic components. Based in Hongkong, we have already established firm and mutual-benefit business relationships with customers from,Europe,America and south Asia,supplying obsolete and hard-to-find components to meet their specific needs.

With the principle of "Quality Parts,Customers Priority,Honest Operation,and Considerate Service",our business mainly focus on the distribution of electronic components. Line cards we deal with include Microchip,ALPS,ROHM,Xilinx,Pulse,ON,Everlight and Freescale. Main products comprise IC,Modules,Potentiometer,IC Socket,Relay,Connector.Our parts cover such applications as commercial,industrial, and automotives areas.

We are looking forward to setting up business relationship with you and hope to provide you with the best service and solution. Let us make a better world for our industry!



## Contact us

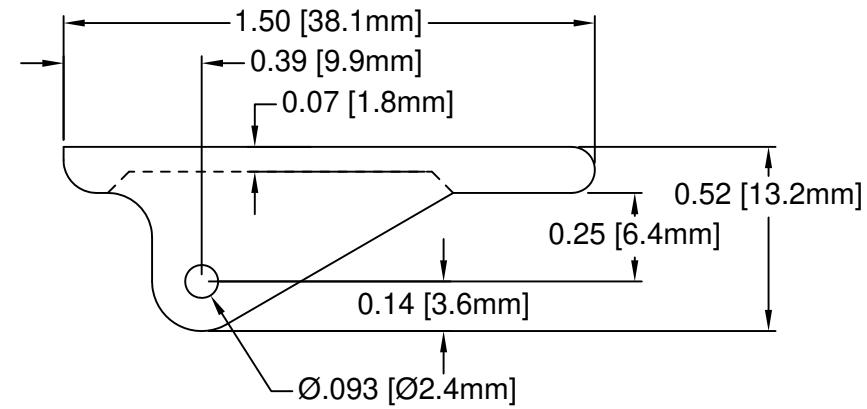
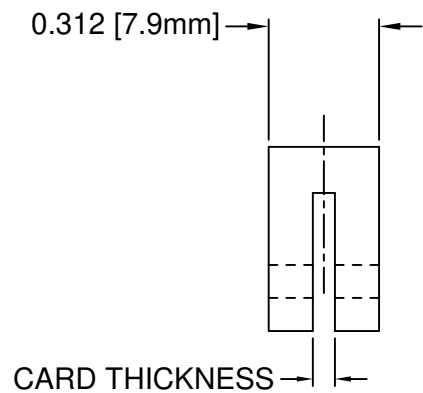
Tel: +86-755-8981 8866 Fax: +86-755-8427 6832

Email & Skype: info@chipsmall.com Web: www.chipsmall.com

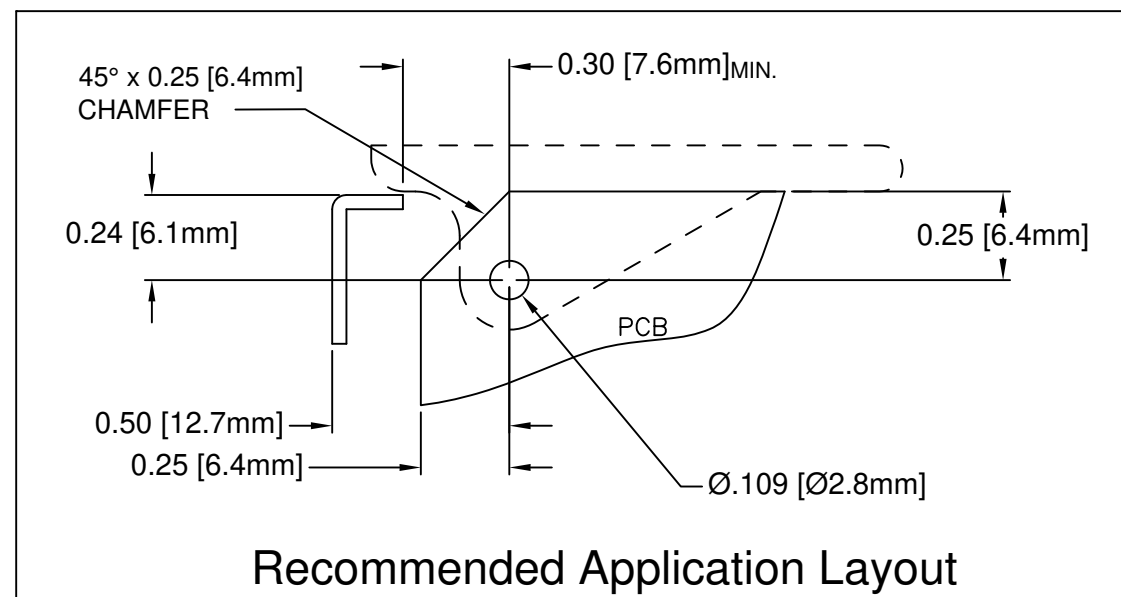
Address: A1208, Overseas Decoration Building, #122 Zhenhua RD., Futian, Shenzhen, China



| REV. | DESCRIPTION                                  | DATE     | APPROVED |
|------|--|----------|----------|
| B    | Engineering Update w/o Changes               | 02/24/04 | M. C.    |
| C    | Removed Part From Part Offering List         | 09/29/15 | J. C.    |
| D    | Added Notes 3, 4, 5 & Color Options Sheet #2 | 05/16/16 | J. C.    |
|      |  |          |          |



| PART NO. | COLOR    | ROLL PIN | CARD THICK.  |
|----------|----------|----------|--------------|
| CP-56 WE | WHITE    | RP-312   | 1/16"(1.6mm) |
| CP-56 XX | SEE S.#2 | RP-312   |              |
| CP-59 WE | WHITE    | RP-312   | 3/32"(2.4mm) |
| CP-59 XX | SEE S.#2 | RP-312   |              |



### Recommended Application Layout

4. PRE-ASSEMBLED ROLL PINS AVAILABLE UPON REQUEST.
3. ROLL PINS INCLUDED. PACKAGED SEPARATELY.
2. MATERIAL: NYLON 6/6, 94V-2, WHITE.
1. GENERAL SPECIFICATIONS: BIVAR MOLDED COMPONENT SPECIFICATION BV00-E101.

|  |                          |   |  |
|--|--------------------------|---|--|
| STANDARD TOLERANCE<br>(UNLESS OTHERWISE SPECIFIED) |                          | <br>4 THOMAS, IRVINE, CA. 92618<br>TEL.: (949) 951-8808 FAX: (949) 951-3974 |  |
| DECIMALS   | ANGULAR                  |   |  |
| .X ±.1   | X° ±1°                   | <br><b>TITLE:</b><br>CIRCUIT BOARD CARD EJECTOR                             |  |
| .XX ±.01   |                          |   |  |
| .XXX ±.005   |                          | <b>PART NO:</b> CP-5XX  |  |
| DESIGNED:<br><b>D. Green</b>                       | DATE:<br><b>10/17/02</b> | <b>REVISION:</b><br>D   |  |
| CHECKED:<br><b>M. Chen</b>                         | DATE:<br><b>10/17/02</b> | <b>CAGE CODE :</b> 32559  |  |
|  |                          | <b>SHEET # 1 OF 2</b>   |  |
| CAD GENERATED DOCUMENT. DO NOT MEASURE DRAWING.    |                          |   |  |

OTHER AVAILABLE COLORS

\* SEE TABLE FOR ORDERING INFORMATION



| REV. | DESCRIPTION  | DATE | APPROVED |
|------|--------------|------|----------|
|      | SEE SHEET #1 |      |          |
|      |              |      |          |
|      |              |      |          |
|      |              |      |          |

CP-5 \_

| CP SERIES |
|-----------|
| CP-56     |
| CP-59     |

| ORDER CODE | COLOR        |
|------------|--------------|
| AA         | AQUA         |
| BK         | BLACK        |
| BE         | BLUE         |
| BN         | BROWN        |
| FG         | FOREST GREEN |
| GY         | GRAY         |
| GN         | GREEN        |
| LE         | LIME         |
| OE         | ORANGE       |
| PK         | PINK         |
| RD         | RED          |
| VT         | VIOLET       |
| YW         | YELLOW       |

5. PARTS ARE DYED TO COLOR UPON REQUEST.

|   |                          |   |                       |
|---|--------------------------|---|-----------------------|
| STANDARD TOLERANCE<br>( UNLESS OTHERWISE SPECIFIED )<br>DECIMALS                      ANGULAR |                          | <br>4 THOMAS, IRVINE, CA. 92618<br>TEL.: (949) 951-8808    FAX: (949) 951-3974 |                       |
|   |                          |  <b>TITLE:</b><br>CIRCUIT BOARD CARD EJECTOR                                   |                       |
| DESIGNED:<br><b>D. Green</b>  | DATE:<br><b>10/17/02</b> | <b>PART NO:</b><br>CP-5XX   | REVISION:<br><b>D</b> |
| CHECKED:<br><b>M. Chen</b>  | DATE:<br><b>10/17/02</b> | <b>CAGE CODE : 32559</b>  | <b>SHEET # 2 OF 2</b> |
| CAD GENERATED DOCUMENT. DO NOT MEASURE DRAWING.   |                          |   |                       |