



Chipsmall Limited consists of a professional team with an average of over 10 year of expertise in the distribution of electronic components. Based in Hongkong, we have already established firm and mutual-benefit business relationships with customers from,Europe,America and south Asia,supplying obsolete and hard-to-find components to meet their specific needs.

With the principle of “Quality Parts,Customers Priority,Honest Operation,and Considerate Service”,our business mainly focus on the distribution of electronic components. Line cards we deal with include Microchip,ALPS,ROHM,Xilinx,Pulse,ON,Everlight and Freescale. Main products comprise IC,Modules,Potentiometer,IC Socket,Relay,Connector.Our parts cover such applications as commercial,industrial, and automotives areas.

We are looking forward to setting up business relationship with you and hope to provide you with the best service and solution. Let us make a better world for our industry!



Contact us

Tel: +86-755-8981 8866 Fax: +86-755-8427 6832

Email & Skype: info@chipsmall.com Web: www.chipsmall.com

Address: A1208, Overseas Decoration Building, #122 Zhenhua RD., Futian, Shenzhen, China

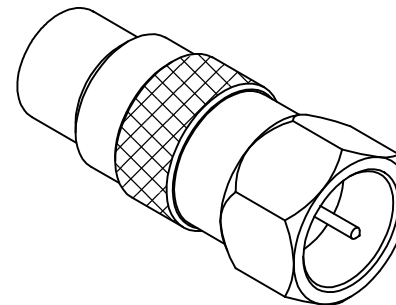
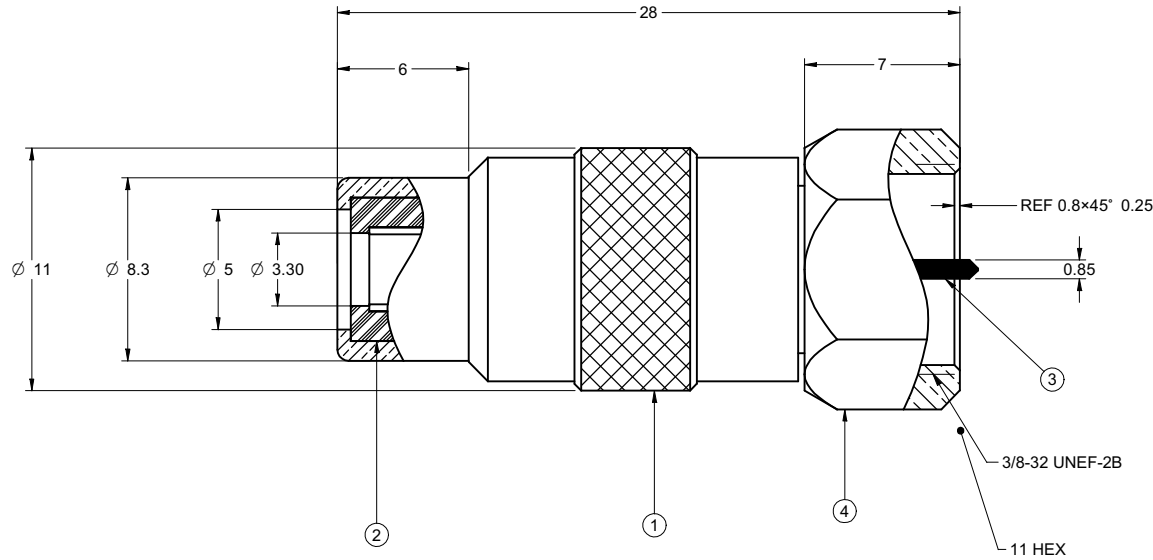


PART NUMBER	ITEM ① BODY	ITEM ② INSULATOR	ITEM ③ CONTACT	ITEM ④ NUT
25-7580	BRASS NICKEL PLATED	DELTRIN	BRASS NICKEL PLATED	BRASS NICKEL PLATED

DRAWING NO.
25-7580

REVISIONS

01	OFFICIAL RELEASE	2009.09
08-21-09	Y Y T	08-11-51 Betty



受控 CONTROLLED DOCUMENT					
编号 P/N	25-7580	版本 Rev	01	日期 Rel'd Date	SEP 14, 09

NOTES:

1. F END TECHNICAL DETAIL: REFER TO EMERSON DOCUMENT P/N 25-0000

THIS DRAWING TO BE INTERPRETED
PER ANSI Y 14.5M - 1994

COMPANY CONFIDENTIAL

TOLERANCE UNLESS OTHERWISE SPECIFIED		DRAWN BY	DATE
DECIMALS		BETTY.YU	08-21-09
X	± 0.5	CHECKED BY	DATE
X.X	± 0.2	BETTY.YU	08-21-09
X.XX	± 0.1	APPROVED BY	DATE
ANGLES	± 0.5°	THOMAS	08-21-09
		U/M	mm

EMERSON Network Power		Connectivity Solutions
TITLE		
RCA FEMALE TO F MALE		
SHEET	DRAWING NO.	SIZE
1 OF 1	25-7580	C

THIS DRAWING WAS PRODUCED BY COMPUTER.
DO NOT SCALE DRAWING OR UPDATE MANUALLY.