



Chipsmall Limited consists of a professional team with an average of over 10 year of expertise in the distribution of electronic components. Based in Hongkong, we have already established firm and mutual-benefit business relationships with customers from,Europe,America and south Asia,supplying obsolete and hard-to-find components to meet their specific needs.

With the principle of “Quality Parts,Customers Priority,Honest Operation,and Considerate Service”,our business mainly focus on the distribution of electronic components. Line cards we deal with include Microchip,ALPS,ROHM,Xilinx,Pulse,ON,Everlight and Freescale. Main products comprise IC,Modules,Potentiometer,IC Socket,Relay,Connector.Our parts cover such applications as commercial,industrial, and automotives areas.

We are looking forward to setting up business relationship with you and hope to provide you with the best service and solution. Let us make a better world for our industry!



Contact us

Tel: +86-755-8981 8866 Fax: +86-755-8427 6832

Email & Skype: info@chipsmall.com Web: www.chipsmall.com

Address: A1208, Overseas Decoration Building, #122 Zhenhua RD., Futian, Shenzhen, China





INCHES (MILLIMETERS)
CUSTOMER DRAWINGS AVAILABLE UPON REQUEST

CP-AD103	9	CP-AD807	3
CP-AD104	9	CP-AD808	7
CP-AD105	9	CP-AD809	3
CP-AD106	9	CP-AD810	7
CP-AD107	9	CP-AD811	9
CP-AD151	9	CP-AD817	7
CP-AD152	9	CP-AD818	7
CP-AD153	9	CP-AD819	7
CP-AD212	9	CP-AD820	6
CP-AD213	8	BNC Jack to N Jack	3
CP-AD214	8	BNC Jack to N Plug	3
CP-AD215	8	BNC Jack to SMA Jack	2
CP-AD217	8	BNC Jack to SMA Plug	2
CP-AD218	9	BNC Jack to TNC Plug	3
CP-AD219	8	BNC Plug to N Jack	3
CP-AD220	8	BNC Plug to SMA Jack	2
CP-AD275	5	BNC Plug to SMA Plug	2
CP-AD300	3	BNC Plug to TNC Jack	3
CP-AD301	6	BNC to F	4
CP-AD302	6	BNC to Mini-UHF	4
CP-AD303	6	BNC to RCA	4
CP-AD304	6	BNC to UHF	4
CP-AD305	6	F to European type connectors	9
CP-AD311	5	F to N	9
CP-AD312	5	F to P3.5MM	9
CP-AD313	5	F to RCA	9
CP-AD314	3	F to UHF	9
CP-AD500	4	N Jack to SMA Jack	7
CP-AD501	4	N Jack to SMA Plug	7
CP-AD502	4	N Plug to SMA Jack	7
CP-AD504	4	N Plug to SMA Plug	7
CP-AD507	2	N to UHF	7
CP-AD508	2	RCA to P3.5MM	9
CP-AD509	4	TNC Jack to SMA Jack	5
CP-AD512	4	TNC Jack to SMA Plug	5
CP-AD515	4	TNC Plug to N Jack	6
CP-AD516	4	TNC Plug to SMA Jack	5
CP-AD517	4	TNC Plug to SMA Plug	5
CP-AD582	2	TNC to Mini-UHF	6
CP-AD583	2	TNC to UHF	6
CP-AD805	7	UHF to Mini-UHF	8
CP-AD806	3	UHF to RCA	8
		UHF to SMA	8

Between Series Adapters

BNC to SMA

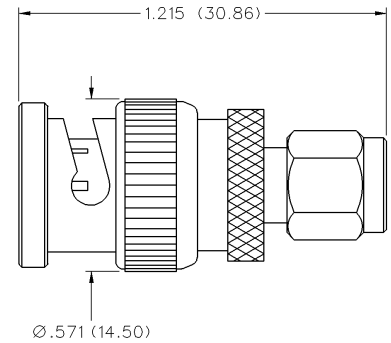


INCHES (MILLIMETERS)
CUSTOMER DRAWINGS AVAILABLE UPON REQUEST

BNC Plug to SMA Plug



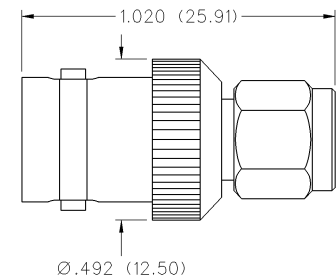
CP-AD582



BNC Jack to SMA Plug



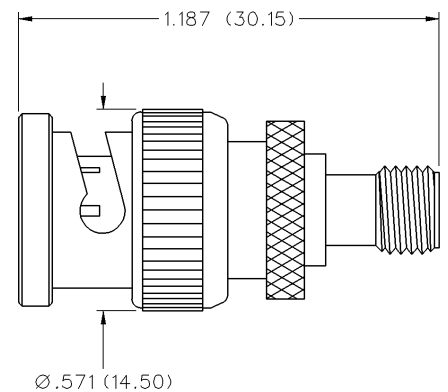
CP-AD508



BNC Plug to SMA Jack



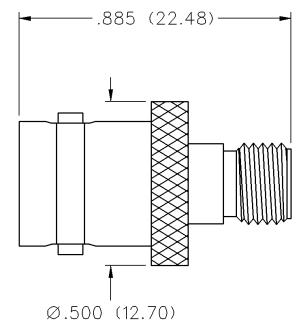
CP-AD583



BNC Jack to SMA Jack

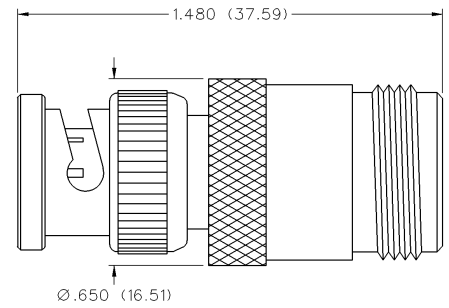


CP-AD507



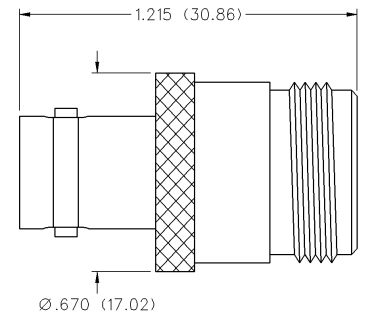
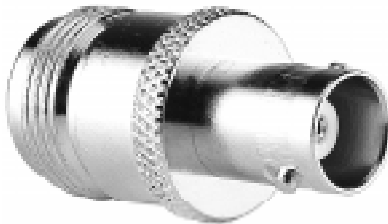
INCHES (MILLIMETERS)
CUSTOMER DRAWINGS AVAILABLE UPON REQUEST

BNC Plug to N Jack



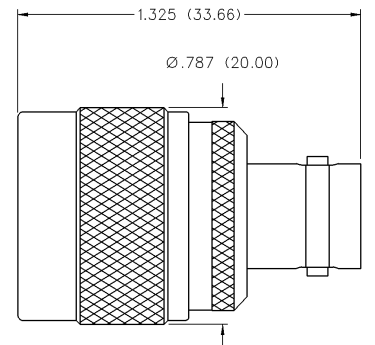
CP-AD807

BNC Jack to N Jack



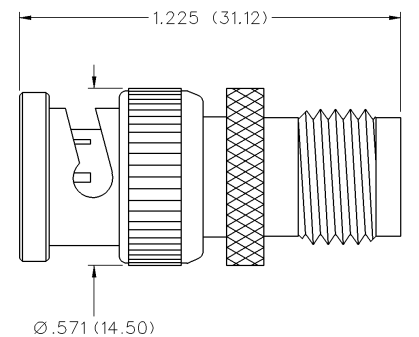
CP-AD806

BNC Jack to N Plug



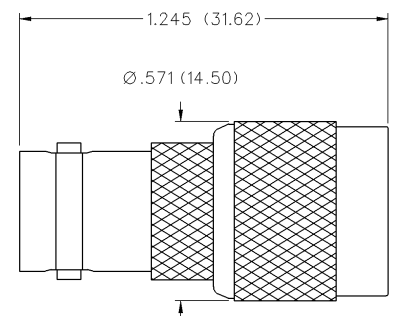
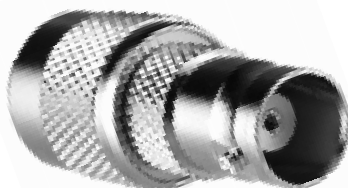
CP-AD809

BNC Plug to TNC Jack



CP-AD314

BNC Jack to TNC Plug



CP-AD300

Between Series Adapters

BNC to F, BNC to RCA, BNC to UHF, BNC to Mini-UHF

BNC to F

**BNC Jack to F Plug
Adapter**



CP-AD502

**BNC Plug to F Jack
Adapter**



CP-AD516

BNC to RCA

**BNC Jack to RCA Plug
Adapter**



CP-AD501

**BNC 50 Ohm Plug to
RCA Jack Adapter**



CP-AD515

**BNC 75 Ohm Plug to
RCA Jack Adapter**



CP-AD517

BNC to UHF

**BNC Jack to UHF Plug
Adapter**



CP-AD500

**BNC Plug to UHF Jack
Adapter**



CP-AD512

**BNC Jack to UHF Jack
Adapter**



CP-AD504

BNC to Mini-UHF

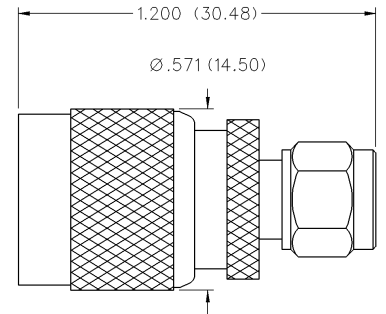
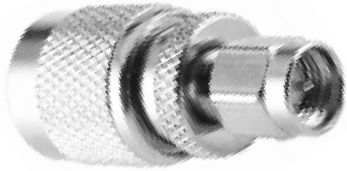
**BNC Jack to
Mini-UHF Plug
Adapter**



CP-AD509

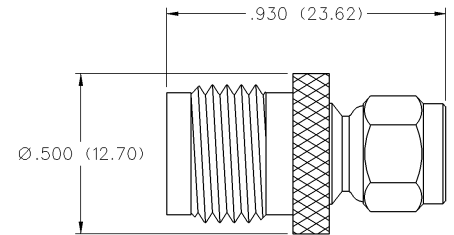
INCHES (MILLIMETERS)
CUSTOMER DRAWINGS AVAILABLE UPON REQUEST

TNC Plug to SMA Plug



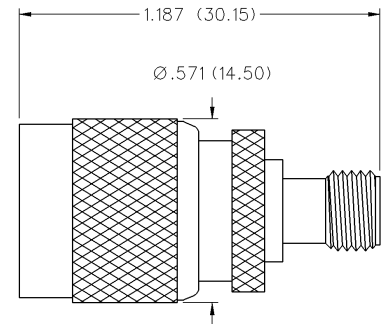
CP-AD311

TNC Jack to SMA Plug



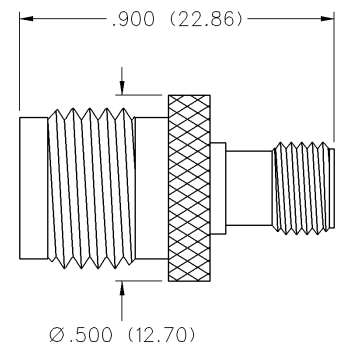
CP-AD312

TNC Plug to SMA Jack



CP-AD313

TNC Jack to SMA Jack



CP-AD275

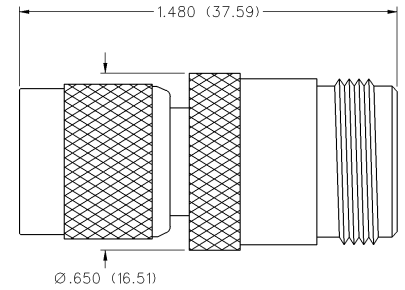
Between Series Adapters

TNC to UHF, TNC to Mini-UHF



INCHES (MILLIMETERS)
CUSTOMER DRAWINGS AVAILABLE UPON REQUEST

TNC Plug to N Jack



CP-AD820

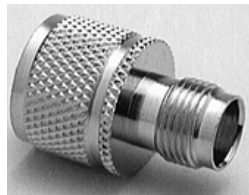
TNC to UHF

TNC Plug to UHF Jack Adapter



CP-AD301

TNC Jack to UHF Plug Adapter



CP-AD304

TNC to Mini-UHF

TNC Jack to Right Angle Mini-UHF Plug Adapter



CP-AD303

TNC Plug to Mini-UHF Jack Adapter



CP-AD302

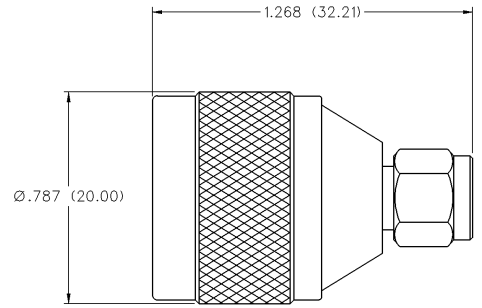
TNC Jack to Mini-UHF Plug Adapter



CP-AD305

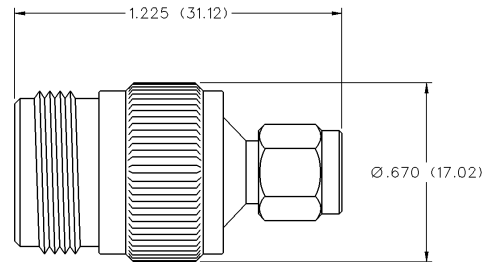
INCHES (MILLIMETERS)
CUSTOMER DRAWINGS AVAILABLE UPON REQUEST

N Plug to SMA Plug



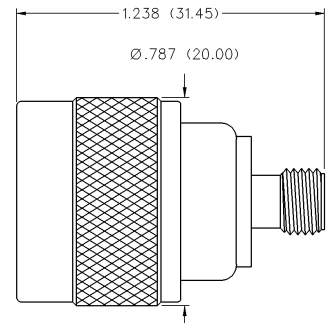
CP-AD817

N Jack to SMA Plug



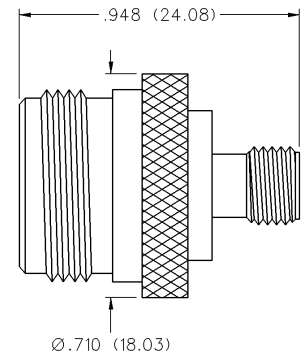
CP-AD818

N Plug to SMA Jack



CP-AD810

N Jack to SMA Jack



CP-AD819

N to UHF

N Jack to UHF Plug Adapter



CP-AD805

N Plug to UHF Jack Adapter



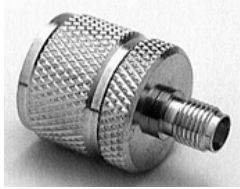
CP-AD808

Between Series Adapters

UHF to SMA, UHF to RCA, UHF to Mini-UHF

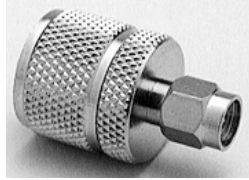
UHF to SMA

**UHF Plug to SMA Jack
Adapter**



CP-AD215

**UHF Plug to SMA Plug
Adapter**



CP-AD220

UHF to RCA

**UHF Plug to RCA Jack
Adapter**



CP-AD217

**UHF Jack to RCA Plug
Adapter**



CP-AD213

UHF to Mini-UHF

**UHF Jack to Mini UHF Plug
Adapter**



CP-AD214

**UHF Plug to Mini UHF Jack
Adapter**



CP-AD219

F to N

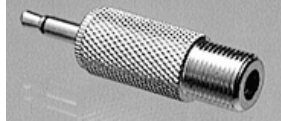
**F Jack to N Plug
Adapter**



CP-AD811

F to P3.5MM

**F Jack to P3.5MM Plug
Adapter**



CP-AD107

F to UHF

**F Jack to UHF Plug
Adapter**



CP-AD218

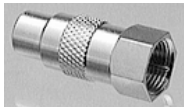
F Plug to UHF Jack



CP-AD212

F to RCA

**F Plug to RCA Jack
Adapter**



CP-AD106

**F Jack to RCA Plug
Adapter**



CP-AD103

**F Jack to RCA Jack
Adapter**



CP-AD105

F to European type connectors

**F Jack to European Plug
Adapter**



CP-AD151

**F Plug to European Jack
Adapter**



CP-AD152

**F Jack to European Jack
Adapter**



CP-AD153

RCA to P3.5MM

**RCA Jack to P3.5MM
Plug Adapter**



CP-AD104