



Chipsmall Limited consists of a professional team with an average of over 10 year of expertise in the distribution of electronic components. Based in Hongkong, we have already established firm and mutual-benefit business relationships with customers from,Europe,America and south Asia,supplying obsolete and hard-to-find components to meet their specific needs.

With the principle of "Quality Parts,Customers Priority,Honest Operation,and Considerate Service",our business mainly focus on the distribution of electronic components. Line cards we deal with include Microchip,ALPS,ROHM,Xilinx,Pulse,ON,Everlight and Freescale. Main products comprise IC,Modules,Potentiometer,IC Socket,Relay,Connector.Our parts cover such applications as commercial,industrial, and automotives areas.

We are looking forward to setting up business relationship with you and hope to provide you with the best service and solution. Let us make a better world for our industry!



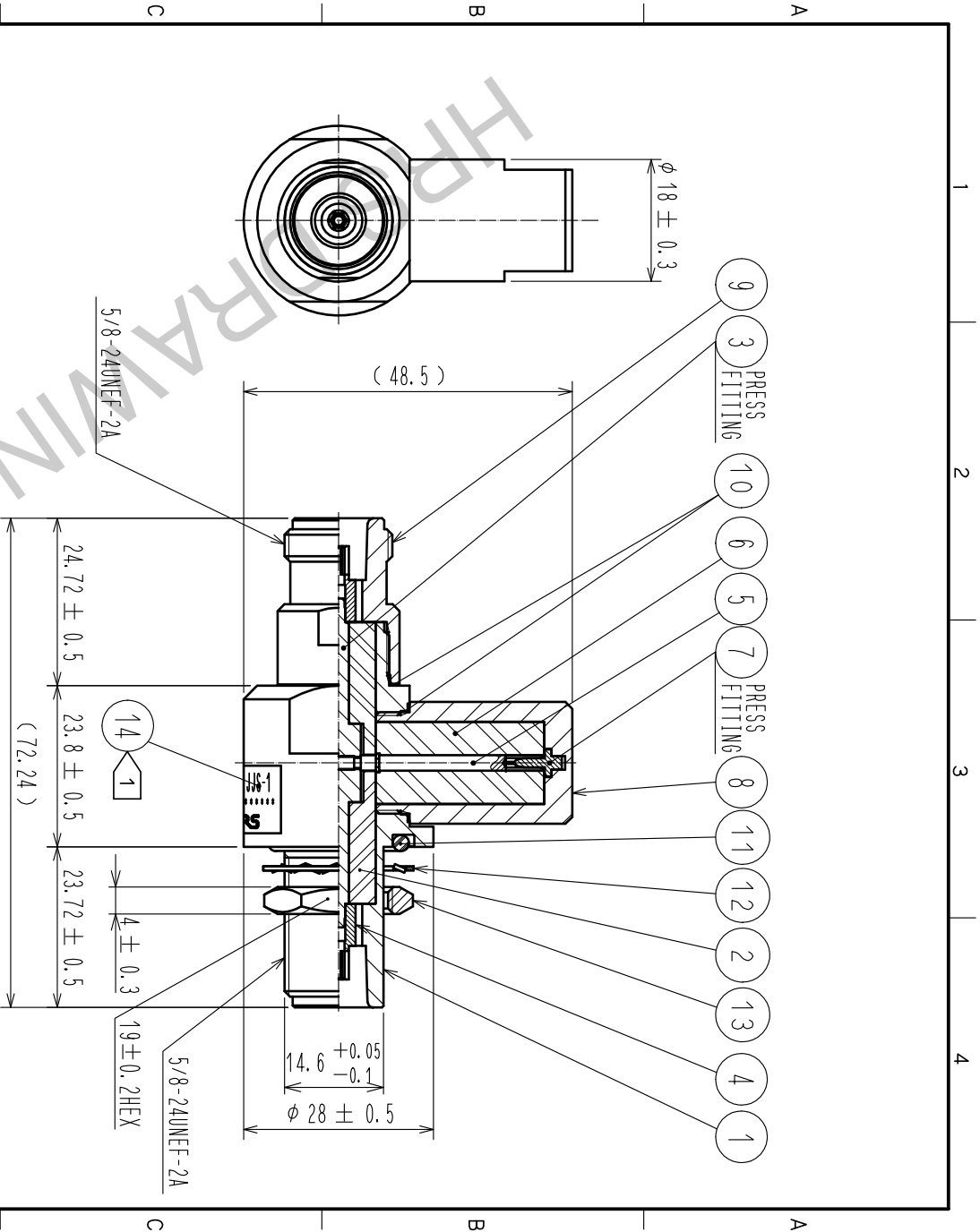
## Contact us

Tel: +86-755-8981 8866 Fax: +86-755-8427 6832

Email & Skype: info@chipsmall.com Web: www.chipsmall.com

Address: A1208, Overseas Decoration Building, #122 Zhenhua RD., Futian, Shenzhen, China



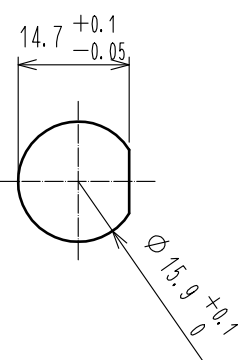


注 1 1 Indication of label.

- CP-N-JJS-1
- S.NO.\*\*\*\*\*
- HRS

2. Maximum panel thickness is 7mm. Recommended dimension of panel cutout is shown in the right drawing. Do not leave any scratches on the surface of a panel, which O-ring of Ref. no. of 11 contacts.
3. If an O-ring come off a groove during transport, please put it back in place and use the device.

RECOMMENDED PANEL CUTOUT



ROHS COMPLIANT

7	BRASS	GOLD PLATING	14	BRASS	NICKEL PLATING	
6	PTFE		13	BRASS	NICKEL PLATING	
5	PHOSPHOR BRONZE	GOLD PLATING	12	STAINLESS STEEL	PASSIVATE	
4	BERYLLIUM COPPER	GOLD PLATING	11	SILICONE RUBBER		
3	BRASS	GOLD PLATING	10	SILICONE RUBBER		
2	PTFE		9	BRASS	NICKEL PLATING	
1	BRASS	NICKEL PLATING	8	BRASS	NICKEL PLATING	
NO.	MATERIAL	FINISH	REMARKS	NO.	MATERIAL	FINISH
NO.	MATERIAL	FINISH	REMARKS	NO.	MATERIAL	FINISH

UNITS	SCALE	COUNT	DESCRIPTION OF REVISIONS	DESIGNED	CHECKED	DATE
mm	1 : 1					

APPROVED : KY. SHIMIZU	16.03.11	DRAWING NO.	EDC-178986-00-00
CHECKED : TO. KATAYAMA	16.03.10	PART NO.	CP-N-JJS-1
DESIGNED : YI. FUNADA	16.03.09	CODE NO.	CL355-0134-0-00
DRAWN : YI. FUNADA	16.03.09		

**HRS** HIROSE ELECTRIC CO., LTD.