



Chipsmall Limited consists of a professional team with an average of over 10 year of expertise in the distribution of electronic components. Based in Hongkong, we have already established firm and mutual-benefit business relationships with customers from,Europe,America and south Asia,supplying obsolete and hard-to-find components to meet their specific needs.

With the principle of “Quality Parts,Customers Priority,Honest Operation,and Considerate Service”,our business mainly focus on the distribution of electronic components. Line cards we deal with include Microchip,ALPS,ROHM,Xilinx,Pulse,ON,Everlight and Freescale. Main products comprise IC,Modules,Potentiometer,IC Socket,Relay,Connector.Our parts cover such applications as commercial,industrial, and automotives areas.

We are looking forward to setting up business relationship with you and hope to provide you with the best service and solution. Let us make a better world for our industry!



Contact us

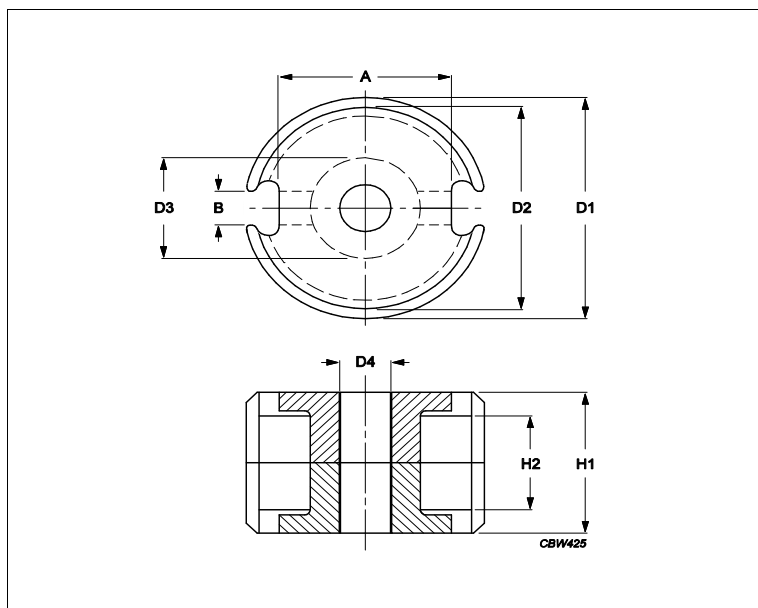
Tel: +86-755-8981 8866 Fax: +86-755-8427 6832

Email & Skype: info@chipsmall.com Web: www.chipsmall.com

Address: A1208, Overseas Decoration Building, #122 Zhenhua RD., Futian, Shenzhen, China



Core **P26/16**



Effective parameters			
	Parameter	Value	Unit
$\Sigma(I/A)$	core factor (C1)	0.4	mm ⁻¹
Ve	effective volume	3530	mm ³
Le	effective length	37.6	mm
Ae	effective area	93.9	mm ²
Amin	minimum area	77.4	mm ²
m	P26/16	≈ 20	g/set

Dimensions for product: P26/16

	Nom	Tol +	Tol -	Max	Min	Unit
A	18.00	0.40	0.40	18.40	17.60	mm
B	3.80	0.60	0.60	4.40	3.20	mm
D1	25.50	0.50	0.50	26.00	25.00	mm
D2	21.20	0.80	0.00	22.00	21.20	mm
D3	11.50	0.00	0.40	11.50	11.10	mm
D4	5.40			5.40	5.40	mm
H1	16.10	0.20	0.20	16.30	15.90	mm
H2	11.00	0.40	0.00	11.40	11.00	mm

Inductance factor

Material	Value	Tol +	Tol -	Unit
3C91	6700	25%	25%	nH/turns ²
3D3	2150	25%	25%	nH/turns ²
3H3	5000	25%	25%	nH/turns ²
4C65	386	25%	25%	nH/turns ²

Power loss: 3C91

Measuring conditions			Max	Unit
100 kHz	200 mT	60 °C	1.800	W/set

Bsat

Measuring conditions			Material	Min	Unit
25 kHz	250 A/m	100 °C	3C91	320	mT

Core **P26/16**

Accessories		
Ordering name	Description	Ordering code
BPL-CLM/S-P26/16-C	Base plate, screw mounted to be used	432202145211
CLM/S-P26/16-C	Clamp, screwed	432202145221
CLM/TP-P26/16-C	Clamp, self locking, with ground pin	432202126331
CON-P26/16	Container	432202103061
CP-P26/16-1S	Coil former, termoplastic	432202102441
CP-P26/16-1S-A	Coil former, termoplastic	433500026201
CP-P26/16-2S	Coil former, termoplastic	432202102451
CP-P26/16-3S	Coil former, termoplastic	432202102461
CPV-P26/16-1S-6PDL-Z	Coil former, termoplastic, vertical	433506026591
CPV-P26/16-1S-6PD-Z	Coil former, termoplastic, vertical	433506026581
CPV-P26/16-2S-6PDL-Z	Coil former, termoplastic, vertical	433506026611
CPV-P26/16-3S-6PDL-Z	Coil former, termoplastic, vertical	433506026631
CPV-P26/16-3S-6PD-Z	Coil former, termoplastic, vertical	433506026621
SPR-P26/16	Spring	432202130661
TGP-P26/16-C	Tag plante	432202104291
WAS-CLM/S-P26/16	Washer, phenolformaldehyde (PF) to b	433500045231