



Chipsmall Limited consists of a professional team with an average of over 10 year of expertise in the distribution of electronic components. Based in Hongkong, we have already established firm and mutual-benefit business relationships with customers from,Europe,America and south Asia,supplying obsolete and hard-to-find components to meet their specific needs.

With the principle of “Quality Parts,Customers Priority,Honest Operation,and Considerate Service”,our business mainly focus on the distribution of electronic components. Line cards we deal with include Microchip,ALPS,ROHM,Xilinx,Pulse,ON,Everlight and Freescale. Main products comprise IC,Modules,Potentiometer,IC Socket,Relay,Connector.Our parts cover such applications as commercial,industrial, and automotives areas.

We are looking forward to setting up business relationship with you and hope to provide you with the best service and solution. Let us make a better world for our industry!



Contact us

Tel: +86-755-8981 8866 Fax: +86-755-8427 6832

Email & Skype: info@chipsmall.com Web: www.chipsmall.com

Address: A1208, Overseas Decoration Building, #122 Zhenhua RD., Futian, Shenzhen, China



LEDILSTAR-P for Projection Ostar® LE xxx X2A



LEDILSTAR-P-S



LEDILSTAR-P-S with -SUB



LEDILSTAR-P-W

OSRAM



- Use with Ostar® LE xxx x2A series of unicolor and multicolor LED modules
- Patented system for creating a homogeneous, round light pattern without traces of light from single chips (mixing of light inside the lens)
- Diameter 35 mm (MR11 size)
- Lens material optical grade PC (polycarbonate) with high UV and temperature resistance (130°C/260°F)
- Extremely high optical efficiency, >80%, despite of strong mixing of light and large light source
- No optic holder. The lens positions itself to the 2 holes in the Ostar Projection PCB with 2 pins. The lens can be fastened by means of glue drops or 2 screws or by clamping it. Glue can e.g. be quick-curing epoxy. Important is that the glue shall not include any solvents, which evaporate during a longer time and cause damage to the lens surfaces (e.g. no cyano acrylates shall be used).
- When using LEDILSTAR-P-S with **multicolor Ostars**, we recommend use of the additional mixing **sub lens** to get a uniform color over the whole beam. Sub lens is supplied as a separate part and is fitted with 2 snap hooks to the main LEDILSTAR-P-S lens.

LENS TYPES

NAME	ORDERING CODE	FWHM Angle, LE xx x2A
LEDILSTAR projection SPOT	C10271_LedilStar-P-S	±6°
LEDILSTAR projection mixing SUB lens	CA10317_LedilStar-P-SUB	±7°
LEDILSTAR projection WIDE	C10270_LedilStar-P-W	±16°

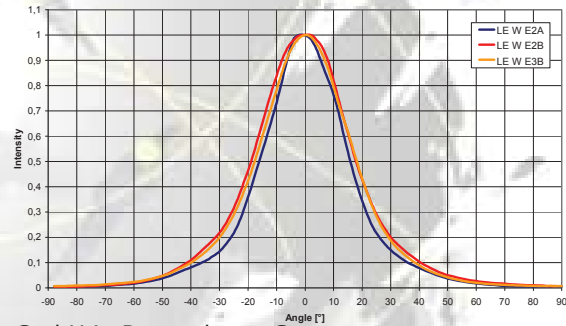
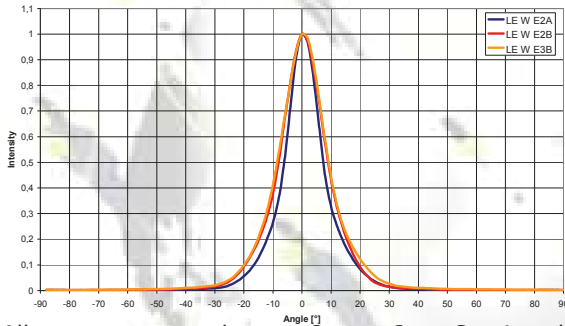
© Ledil Oy - PRELIMINARY - Subject to change without prior notice

MEASUREMENT DATA & PHOTOGRAPHS

LEDILSTAR-P-S/-P-S-SUB



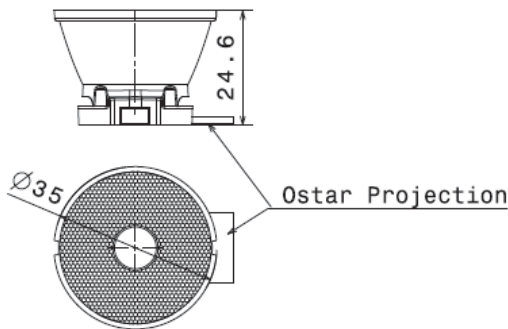
LEDILSTAR-P-W



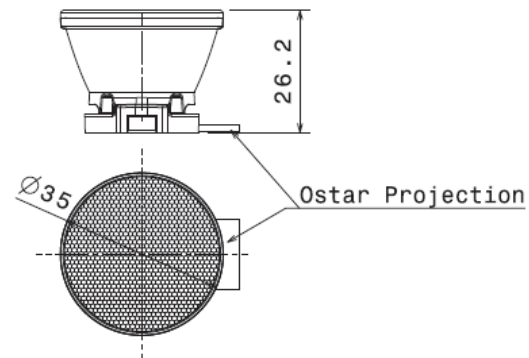
All measurements done at Osram Opto Semiconductors GmbH in Regensburg, Germany.

DIMENSIONS

LEDILSTAR-P-S or - P-W



LEDILSTAR-P-S-SUB



© Ledil Oy - PRELIMINARY - Subject to change without prior notice