



Chipsmall Limited consists of a professional team with an average of over 10 year of expertise in the distribution of electronic components. Based in Hongkong, we have already established firm and mutual-benefit business relationships with customers from,Europe,America and south Asia,supplying obsolete and hard-to-find components to meet their specific needs.

With the principle of “Quality Parts,Customers Priority,Honest Operation,and Considerate Service”,our business mainly focus on the distribution of electronic components. Line cards we deal with include Microchip,ALPS,ROHM,Xilinx,Pulse,ON,Everlight and Freescale. Main products comprise IC,Modules,Potentiometer,IC Socket,Relay,Connector.Our parts cover such applications as commercial,industrial, and automotives areas.

We are looking forward to setting up business relationship with you and hope to provide you with the best service and solution. Let us make a better world for our industry!



Contact us

Tel: +86-755-8981 8866 Fax: +86-755-8427 6832

Email & Skype: info@chipsmall.com Web: www.chipsmall.com

Address: A1208, Overseas Decoration Building, #122 Zhenhua RD., Futian, Shenzhen, China



TITANUM-3 Lenses for Dragon LEDs



© LEDIL Oy 2007 - All rights reserved

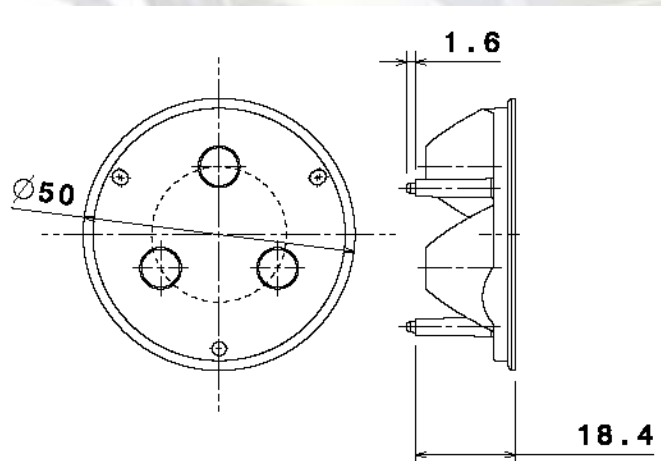
Use with Osram Dragon series of white and monochromate LEDs

- Lens material optical grade PMMA with high UV and temperature resistance (105°C/220°F)
- High optical efficiency, > 85%
- No lens holder. Fastening to heat sink with an adhesive tape
- Diameter 50 mm (MR16)
- Easy build of a complete luminaire using TITANUM-3, Dragon and heat sink
- Mechanical CAD models available upon request
- All 3 lens types have the same outer dimensions

LENS TYPES

NAME	ORDERING CODE	FWHM Angle, Thinfilm, ThinGaN or chip coated white	FWHM Angle, White with volume casting
TITANUM-3 spot	TITANUM-3-S	±7°	±7°
TITANUM-3 medium	TITANUM-3-M	±15°	±15°
TITANUM-3 wide	TITANUM-3-W	±30°	±30°

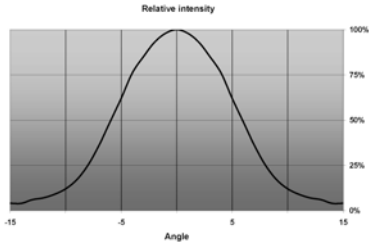
DIMENSIONS



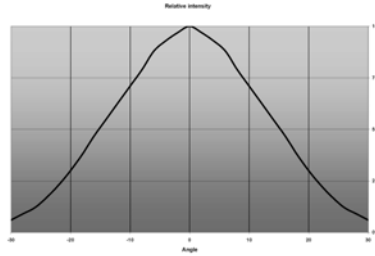
© Ledil Oy – PRELIMINARY - Subject to change without prior notice

MEASUREMENT DATA & PHOTOGRAPHS

TITANUM-3-S



TITANUM-3-M



TITANUM-3-W

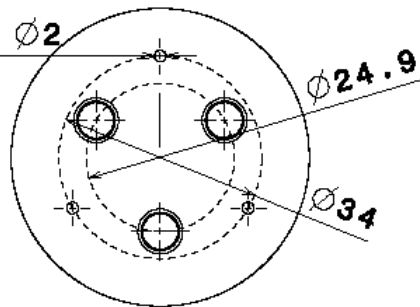
COMING
SOON



COMING
SOON

PCB LAYOUT

Lens Pin Size $\varnothing 2$



NOTE: 120° between each 2 lenses and each 2 lens pins

PACKAGING

Lenses are packed in carton boxes of 384 pieces in each box.