



Chipsmall Limited consists of a professional team with an average of over 10 year of expertise in the distribution of electronic components. Based in Hongkong, we have already established firm and mutual-benefit business relationships with customers from,Europe,America and south Asia,supplying obsolete and hard-to-find components to meet their specific needs.

With the principle of “Quality Parts,Customers Priority,Honest Operation,and Considerate Service”,our business mainly focus on the distribution of electronic components. Line cards we deal with include Microchip,ALPS,ROHM,Xilinx,Pulse,ON,Everlight and Freescale. Main products comprise IC,Modules,Potentiometer,IC Socket,Relay,Connector.Our parts cover such applications as commercial,industrial, and automotives areas.

We are looking forward to setting up business relationship with you and hope to provide you with the best service and solution. Let us make a better world for our industry!



Contact us

Tel: +86-755-8981 8866 Fax: +86-755-8427 6832

Email & Skype: info@chipsmall.com Web: www.chipsmall.com

Address: A1208, Overseas Decoration Building, #122 Zhenhua RD., Futian, Shenzhen, China



5

4

3

2

1

DRAWING NO.
CP1094U-CUST

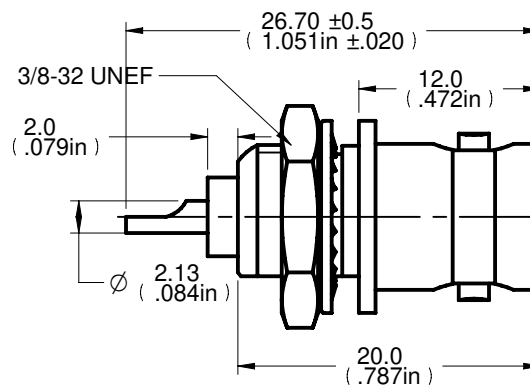
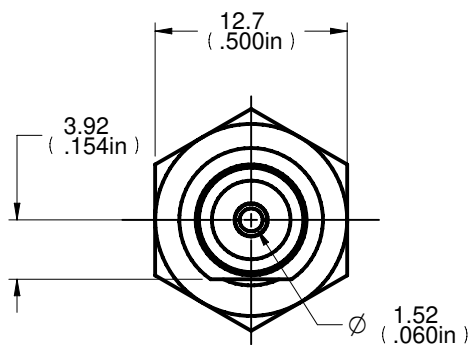
REVISIONS

01	OFFICIAL RELEASE					
	03-20-09	T	W	B	Y	T
02	RELEASE FOR SUPPLIER ALTER					
	07-27-11	Y	G	Y	M	L
03	LOCK WASHER MATERIAL WAS BRASS ADD MORE DIMENSIONS					
	07-27-11	Y	G	Y	M	L
04	3/8-32UNEF WAS 3/8-32UNEF-2A					
	01-11-12	Y	G	Y	M	L

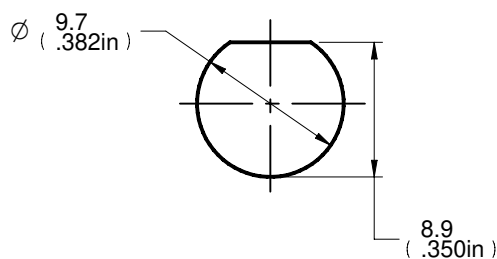
Description: BNC,Front Mount Bulkhead Jack, BeCu Contact
 Part No: CP1094U
 Application: PCB
 Crimp Tool: N/A
 Impedance: 50 Ohms
 Frequency Range: 0-4 GHz
 Material: Body Brass Nickel plated
 Contact Becu Gold plated
 Insulator Teflon
 Nut Brass Nickel plated
 Lock Washer S50C Nickel plated

RoHS Compliance: Yes

Technical Detail: Refer to Emerson Document P/N 27-0000



RECOMMENDED MOUNTING HOLE DIMENSIONS



DIM OUTLINE

CUSTOMER COPY

TOLERANCE UNLESS OTHERWISE SPECIFIED		DRAWN BY	DATE
DECIMALS	mm	YUGE HU	07-27-11
X	+ 0.5	CHECKED BY	DATE
X.X	+ 0.2	YUGE HU	07-27-11
X.XX	+ 0.1	APPROVED BY	DATE
ANGLES	+ 0.5°	LIN MA	07-27-11
		U/M	mm

EMERSON Network Power **Connectivity Solutions**

TITLE BNC,FRONT MOUNT BULKHEAD JACK, BECU CONTACT

THIS DRAWING WAS PRODUCED BY COMPUTER, DO NOT SCALE DRAWING OR UPDATE MANUALLY.		SHEET 1 OF 1	DRAWING NO. CP1094U-CUST	SIZE A
---	--	--------------	--------------------------	--------